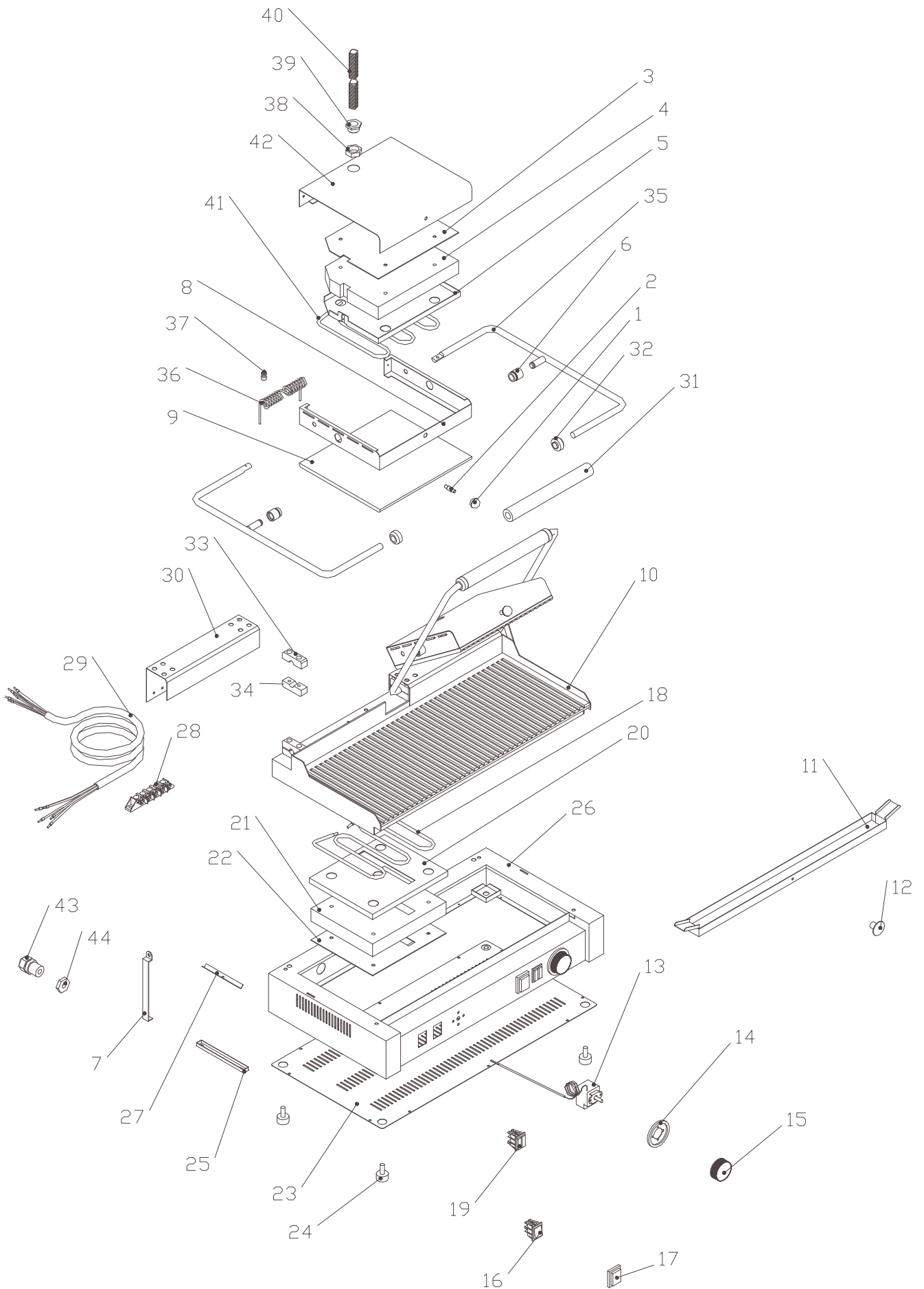




PD - 2020R
od 10-2012



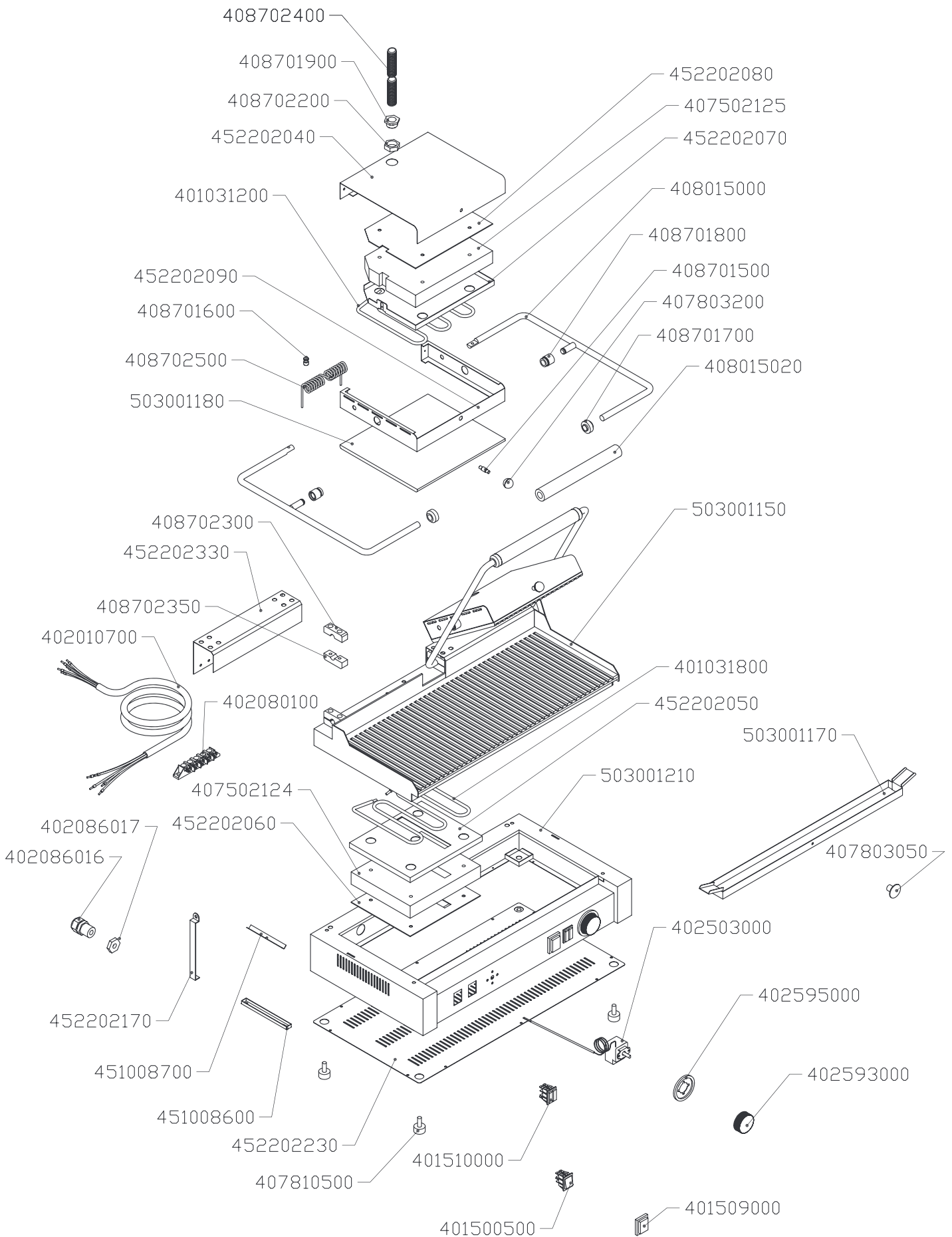
**PD - 2020R**
od 10-2012

PD-2020R	
Pozice	Kód
1	407803200
2	408701500
3	452202080
4	407502125
5	452202070
6	408701800
7	452202170
8	452202090
9	503001180
10	503001150
11	503001170
12	407803050
13	402503000
14	402595000
15	402593000
16	401500500
17	401509000
18	401031800
19	401510000
20	452202050
21	407502124
22	452202060
23	452202230
24	407810500
25	451008600
26	503001210
27	451008700
28	402080100
29	402010700
30	452202330
31	408015020
32	408701700
33	408702300
34	408702350
35	408015000
36	408702500
37	408701600
38	408702200
39	408701900

PD-2020R	
Pozice	Kód
40	510005000
41	401031200
42	452202040
43	402086016
44	402086216



PD - 2020R
do 10-2012



Exploded view

TABLE A: LABELS

MODEL	CODE	NOTE
VT	402594273	
TO - 940	402594234	Switch
TO - 940	402594235	Timer
TO - 960	402594234	Switch
TO - 960	402594235	Timer
TO - 920	402594233	Switch
TO - 920	402594235	Timer
TO - 930	402594233	Switch
TO - 930	402594235	Timer
VEC	402594241	
PM - LTF	402594244	
KD	402594243	
FP - 36	402594237	
FP - 66		
FP - 37		
FP - 67		
FT	402594247	
PD		
PM		
PS		
FP - 38		
FP - 68		
FE	402594272	
BM	402594236	
BMV		
HD		
WE		
WEV		
OTS		
UH		
BM-D	402594271	
SE		
CW		
GV		

