

Technical data sheet

Product features



Electric fryer 18+18 l electronic 7" TouchSreen

Model	SAP Code	00014417
--------------	-----------------	----------



- Basin volume [l]: 18
- Drain type: Trough the cabinet
- Drain: Yes
- Maximum device temperature [°C]: 190
- Minimum device temperature [°C]: 50
- Material: AISI 304
- Number of baskets: 4
- Basket dimensions [mm x mm x mm]: 135x290x150

SAP Code	00014417	Loading	400 V / 3N - 50 Hz
Net Width [mm]	800	Basin volume [l]	18
Net Depth [mm]	705	Number of basins	2
Net Height [mm]	900	Number of baskets	4
Net Weight [kg]	97.00	Basket dimensions [mm x mm x mm]	135x290x150
Power electric [kW]	31.900	Production of fries [kg/h]	54

Technical data sheet

Technical drawing

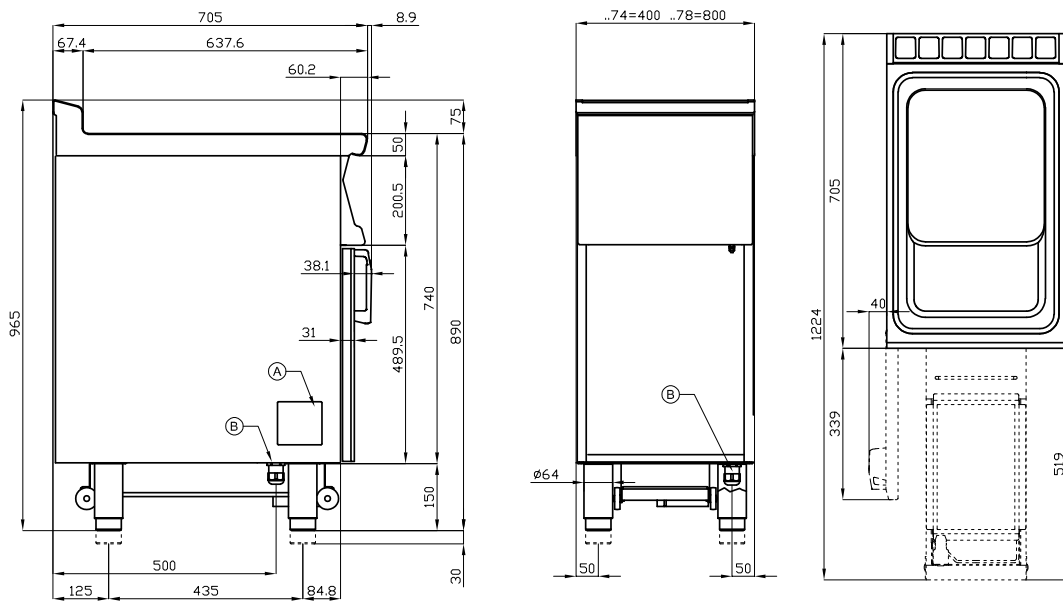


Electric fryer 18+18 l electronic 7" TouchSreen

Model

SAP Code

00014417



A	Data plate	B	Electrical connection
---	------------	---	-----------------------

Technical data sheet

Technical parameters



Electric fryer 18+18 l electronic 7" TouchSreen

Model

SAP Code

00014417

1. SAP Code:

00014417

2. Article group:

Fryers

3. Net Width [mm]:

800

4. Net Depth [mm]:

705

5. Net Height [mm]:

900

6. Net Weight [kg]:

97.00

7. Gross Width [mm]:

830

8. Gross depth [mm]:

770

9. Gross Height [mm]:

1110

10. Gross Weight [kg]:

109.00

11. Device type:

Electric unit

12. Construction type of device:

With substructure

13. Power electric [kW]:

31.900

14. Loading:

400 V / 3N - 50 Hz

15. Protection of controls:

IPX5

16. Device color:

Stainless steel

17. Material:

AISI 304

18. Worktop type:

Molded - comfortable cleaning maintenance

19. Standard equipment for device:

4 baskets 1/2
2 x strainer and tub lid
2 x oil collection container with wheels with 5 micron screen (100 pcs included)
1 TPA-7 side bar

20. Basin volume [l]:

18

21. Basin dimensions [mm x mm x mm]:

310x340x330

22. Maximum device temperature [°C]:

190

23. Minimum device temperature [°C]:

50

24. Power control type:

digital

25. Safety element:

oil presence and maximum level sensor

26. Adjustable feet:

Yes

Technical data sheet

Technical parameters



Electric fryer 18+18 l electronic 7" TouchSreen

Model

SAP Code

00014417

27. Additional information:

7 display
Up to 100 programs can be stored in memory

31. Basket dimensions [mm x mm x mm]:

135x290x150

28. Heating element material:

AISI 304

32. Production of fries [kg/h]:

54

29. Number of baskets:

4

33. Drain type:

Trough the cabinet

30. Number of basins:

2

34. Drain:

Yes