

# Technical data sheet

## Product features



### Bain marie electric GN 1/2 + 1/4 - 150 without cabinet

<b>Model</b>	<b>SAP Code</b>	00000088
--------------	-----------------	----------



- Drain type: On the front panel
- Drain: Yes
- Safety drain: Yes
- Material: AISI 304 top plate and cladding
- Protection of controls: IPX5
- Maximum device temperature [°C]: 90

<b>SAP Code</b>	00000088	<b>Power electric [kW]</b>	1.550
<b>Net Width [mm]</b>	300	<b>Loading</b>	230 V / 1N - 50 Hz
<b>Net Depth [mm]</b>	600	<b>Number of GN / EN</b>	2
<b>Net Height [mm]</b>	280	<b>GN / EN size in device</b>	GN 1/2 + GN 1/4
<b>Net Weight [kg]</b>	14.00	<b>GN device depth</b>	150

# Technical data sheet

Technical drawing

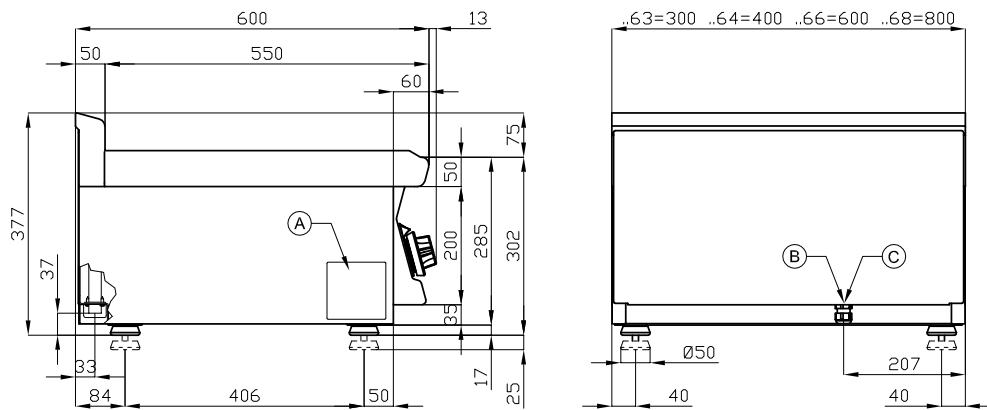


Bain marie electric GN 1/2 + 1/4 - 150 without cabinet

Model

SAP Code

00000088



A	Data plate	B	Electrical connection
---	------------	---	-----------------------

# Technical data sheet

Product benefits



## Bain marie electric GN 1/2 + 1/4 - 150 without cabinet

Model

SAP Code

0000088

1

### Deep-draft bathtubs

basins without sharp transitions, edges and corners

- easy maintenance
- perfect sanitation

2

### All-stainless steel construction

harmless to health for contact with food  
robustness

- perfect sanitation
- long service life

3

### Drain valve with snap-on elbow for easy draining

safer placement of the drain valve

- valve location and use of an elbow and safety lock prevent unintentional contact and possible scalding

# Technical data sheet

## Technical parameters



### Bain marie electric GN 1/2 + 1/4 - 150 without cabinet

Model	SAP Code	00000088
-------	----------	----------

**1. SAP Code:**

00000088

**2. Net Width [mm]:**

300

**3. Net Depth [mm]:**

600

**4. Net Height [mm]:**

280

**5. Net Weight [kg]:**

14.00

**6. Gross Width [mm]:**

330

**7. Gross depth [mm]:**

690

**8. Gross Height [mm]:**

610

**9. Gross Weight [kg]:**

17.00

**10. Device type:**

Electric unit

**11. Construction type of device:**

Table top

**12. Power electric [kW]:**

1.550

**13. Loading:**

230 V / 1N - 50 Hz

**14. Protection of controls:**

IPX5

**15. Device color:**

Stainless steel

**16. Material:**

AISI 304 top plate and cladding

**17. Indicators:**

operation and warm-up

**18. Drain valve diameter:**

3/4"

**19. Worktop Thickness [mm]:**

1.00

**20. Basin dimensions [mm x mm x mm]:**

GN 1/2-150 + GN 1/4-150

**21. Maximum device temperature [°C]:**

90

**22. Minimum device temperature [°C]:**

30

**23. Service accessibility:**

Trough the frontal panel

**24. Safety thermostat:**

Yes

**25. Adjustable feet:**

Yes

**26. Additional information:**

Gastronutrients and lids not included

**27. Basin material:**

AISI 304 - High quality stainless steel

**28. Drain type:**

On the front panel

# Technical data sheet

Technical parameters



## Bain marie electric GN 1/2 + 1/4 - 150 without cabinet

**Model**

**SAP Code**

00000088

**29. Drain:**

Yes

**32. GN / EN size in device:**

GN 1/2 + GN 1/4

**30. Safety drain:**

Yes

**33. GN device depth:**

150

**31. Number of GN / EN:**

2