

# Technical data sheet

## Product features



### Cooking range solid top gas 3x burner on open cabinet

<b>Model</b>	<b>SAP Code</b>	00005917
--------------	-----------------	----------



- Device type: Gas unit
- Power consumption of the zone 1 [kW]: 12
- Power consumption of the zone 2 [kW]: 10
- Power consumption of the zone 3 [kW]: 7
- Ignition: Piezo + Eternal Flame
- Protection of controls: IPX5
- Material: AISI 304

<b>SAP Code</b>	00005917	<b>Type of gas</b>	Natural gas, propane butane
<b>Net Width [mm]</b>	1200	<b>Number of zones</b>	3
<b>Net Depth [mm]</b>	900	<b>Power consumption of the zone 1 [kW]</b>	12
<b>Net Height [mm]</b>	900	<b>Power consumption of the zone 2 [kW]</b>	10
<b>Net Weight [kg]</b>	158.00	<b>Power consumption of the zone 3 [kW]</b>	7
<b>Power gas [kW]</b>	29.000	<b>Solid top dimensions [mm x mm]</b>	770 x 730

# Technical data sheet

Technical drawing

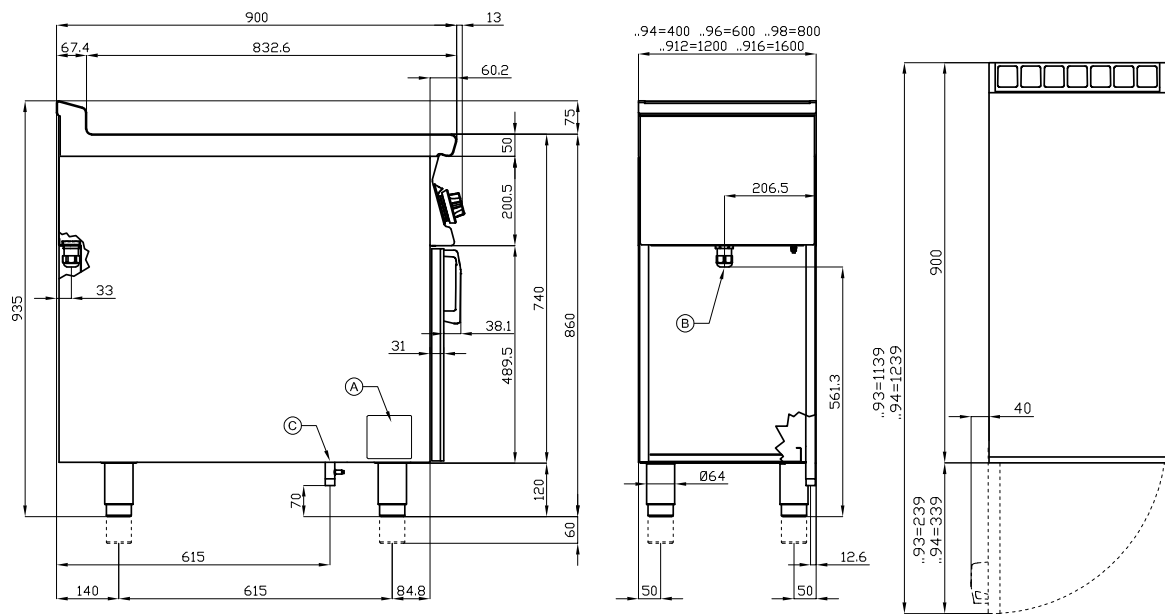


## Cooking range solid top gas 3x burner on open cabinet

Model

SAP Code

00005917



A	Data plate		C	Gas connection	ISO 7-1 1/2" M
---	------------	--	---	----------------	----------------

# Technical data sheet

## Product benefits



### Cooking range solid top gas 3x burner on open cabinet

Model

SAP Code

00005917

1

#### Massive construction of burners

- high performance and efficiency
- brass burners removable
- eternal flame
- long life
- demountable
  - energy saving (perfect combustion)
  - time saving for food preparation
  - easy maintenance/cleaning

7

#### Massive thal

- 15mm material ensures even distribution of heat and heating of the product (heat several pots at the same time at the same temperature)
- material resistance
- long life
  - time saving
  - ease of operation
  - savings on service interventions

2

#### Hygienic moldings of the top plate

- absence of sharp corners and edges (potential places where dirt could stick)
- smooth transitions
  - easy quick cleaning

3

#### Degree of protection of the control elements IPX5

- maintenance-free system
- resistance to splash water
- long life
  - savings on service interventions
  - easy cleaning and maintenance of equipment

4

#### All-stainless design

- the material does not cut
- wear resistance of the material
- long life
  - savings on service interventions
  - easy cleaning and maintenance of equipment

5

#### Safety element – thermocouple

- safe operation for personnel
- there is no overheating and damage to the thallus
- long life
  - savings on service interventions
  - easier and faster operation

6

#### Electric ignition

- instant flame ignition
- there is no unnecessary gas leakage
- long life
  - savings on service interventions
  - easier and faster operation

# Technical data sheet

## Technical parameters



### Cooking range solid top gas 3x burner on open cabinet

**Model**

**SAP Code**

00005917

**1. SAP Code:**

00005917

**2. Net Width [mm]:**

1200

**3. Net Depth [mm]:**

900

**4. Net Height [mm]:**

900

**5. Net Weight [kg]:**

158.00

**6. Gross Width [mm]:**

1230

**7. Gross depth [mm]:**

970

**8. Gross Height [mm]:**

1110

**9. Gross Weight [kg]:**

166.00

**10. Device type:**

Gas unit

**11. Construction type of device:**

With substructure

**12. Power gas [kW]:**

29.000

**13. Ignition:**

Piezo + Eternal Flame

**14. Type of gas:**

Natural gas, propane butane

**15. Protection of controls:**

IPX5

**16. Device color:**

Stainless steel

**17. Material:**

AISI 304

**18. Worktop type:**

Molded - comfortable cleaning maintenance

**19. Worktop material:**

AISI 304

**20. Worktop Thickness [mm]:**

2.00

**21. Number of zones:**

3

**22. Power consumption of the zone 1 [kW]:**

12

**23. Power consumption of the zone 2 [kW]:**

10

**24. Power consumption of the zone 3 [kW]:**

7

**25. Number of power control stages:**

6

**26. Grid material:**

Cast iron

**27. Service accessibility:**

From the front by removing the front panel and waste fluid containers

**28. Safety thermocouple:**

Yes

# Technical data sheet

Technical parameters



## Cooking range solid top gas 3x burner on open cabinet

<b>Model</b>	<b>SAP Code</b>	00005917
--------------	-----------------	----------

### 29. Adjustable feet:

Yes

### 33. Solid top thickness [mm]:

15

### 30. Number of burners/hot plates:

3

### 34. Solid top dimensions [mm x mm]:

770 x 730

### 31. Type of gas cooking zones:

Fire protection to install + Classic burners

### 35. Solid top ignition:

Piezo + Eternal Flame

### 32. Burner type:

Brass, detachable