

# Technical data sheet

## Product features



### Cooking range electric 6x plate on open cabinet 400 V

<b>Model</b>	<b>SAP Code</b>	00002979
--------------	-----------------	----------



- Device type: Electric unit
- Power consumption of the zone 1 [kW]: 4
- Power consumption of the zone 2 [kW]: 4
- Power consumption of the zone 3 [kW]: 4
- Power consumption of the zone 4 [kW]: 4
- Power consumption of the zone 5 [kW]: 4
- Power consumption of the zone 6 [kW]: 4
- Protection of controls: IPX5
- Material: AISI 304

<b>SAP Code</b>	00002979	<b>Power consumption of the zone 1 [kW]</b>	4
<b>Net Width [mm]</b>	1200	<b>Power consumption of the zone 2 [kW]</b>	4
<b>Net Depth [mm]</b>	900	<b>Power consumption of the zone 3 [kW]</b>	4
<b>Net Height [mm]</b>	900	<b>Power consumption of the zone 4 [kW]</b>	4
<b>Net Weight [kg]</b>	107.00	<b>Power consumption of the zone 5 [kW]</b>	4
<b>Power electric [kW]</b>	24.000	<b>Power consumption of the zone 6 [kW]</b>	4
<b>Loading</b>	400 V / 3N - 50 Hz	<b>Diameter of device [mm]</b>	300
<b>Number of zones</b>	6		

# Technical data sheet

Technical drawing

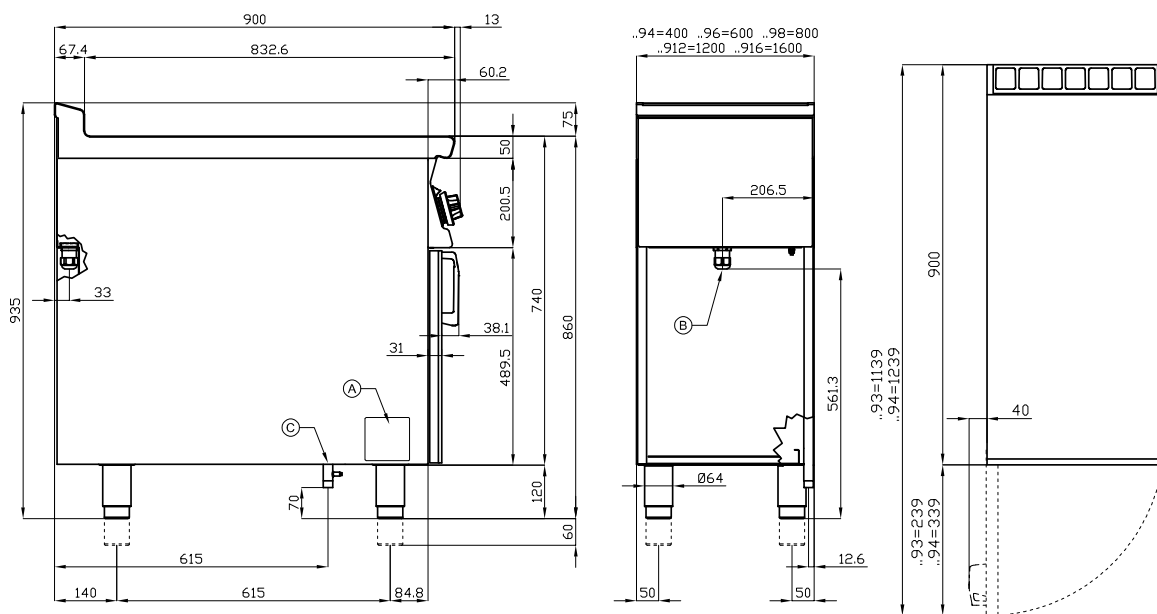


## Cooking range electric 6x plate on open cabinet 400 V

Model

SAP Code

00002979



A	Data plate		B	Electrical connection	
---	------------	--	---	-----------------------	--

# Technical data sheet

## Product benefits



### Cooking range electric 6x plate on open cabinet 400 V

Model

SAP Code

00002979

1

#### Internal thermostatic plate protection

longer service life of the plates

- no overheating of the plates and no cracking

2

#### Degree of protection of the control elements IPX5

maintenance-free system

resistance to splash water

long life

- savings on service interventions
- easy cleaning and maintenance of equipment

3

#### All-stainless design

the material does not cut

wear resistance of the material

long life

- savings on service interventions
- easy cleaning and maintenance of equipment

4

#### Hygienic moldings of the top plate

absence of sharp corners and edges (potential places where dirt could stick)

smooth transitions

- easy quick cleaning

5

#### Square cast iron plates

durable square-shaped cast-iron plates

- larger plates with higher output
- also suitable for atypical vessels

# Technical data sheet

Technical parameters



## Cooking range electric 6x plate on open cabinet 400 V

**Model**

**SAP Code**

00002979

**1. SAP Code:**

00002979

**2. Net Width [mm]:**

1200

**3. Net Depth [mm]:**

900

**4. Net Height [mm]:**

900

**5. Net Weight [kg]:**

107.00

**6. Gross Width [mm]:**

1230

**7. Gross depth [mm]:**

970

**8. Gross Height [mm]:**

1110

**9. Gross Weight [kg]:**

129.00

**10. Device type:**

Electric unit

**11. Construction type of device:**

With substructure

**12. Power electric [kW]:**

24.000

**13. Loading:**

400 V / 3N - 50 Hz

**14. Protection of controls:**

IPX5

**15. Device color:**

Stainless steel

**16. Material:**

AISI 304

**17. Worktop type:**

Molded - comfortable cleaning maintenance

**18. Worktop material:**

AISI 304

**19. Worktop Thickness [mm]:**

2.00

**20. Number of zones:**

6

**21. Power consumption of the zone 1 [kW]:**

4

**22. Power consumption of the zone 2 [kW]:**

4

**23. Power consumption of the zone 3 [kW]:**

4

**24. Power consumption of the zone 4 [kW]:**

4

**25. Power consumption of the zone 5 [kW]:**

4

**26. Power consumption of the zone 6 [kW]:**

4

**27. Maximum device temperature [°C]:**

300

**28. Minimum device temperature [°C]:**

50

# Technical data sheet

Technical parameters



## Cooking range electric 6x plate on open cabinet 400 V

**Model**

**SAP Code**

00002979

### 29. Number of power control stages:

7

### 30. Service accessibility:

From the front by removing the front panel and waste fluid containers

### 31. Safety thermostat:

Yes

### 32. Adjustable feet:

Yes

### 33. Number of burners/hot plates:

6

### 34. Diameter of device [mm]:

300

### 35. Burner type:

Cast iron, detachable, with internal and external combustion

### 36. Type of electric cooking zones:

Squared