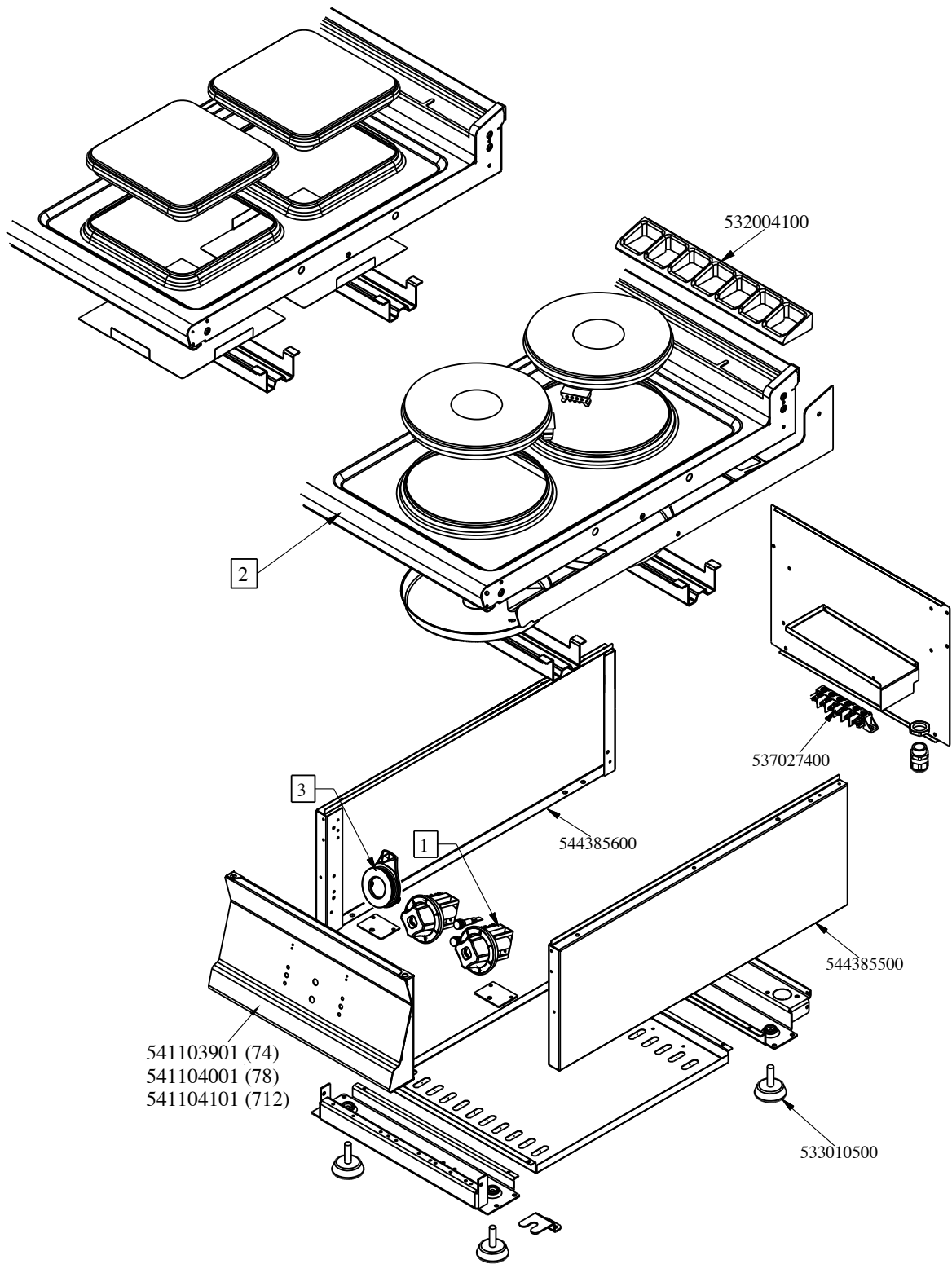


PCQT-712ET

2021_11

1





PCQT-712ET

2021_11

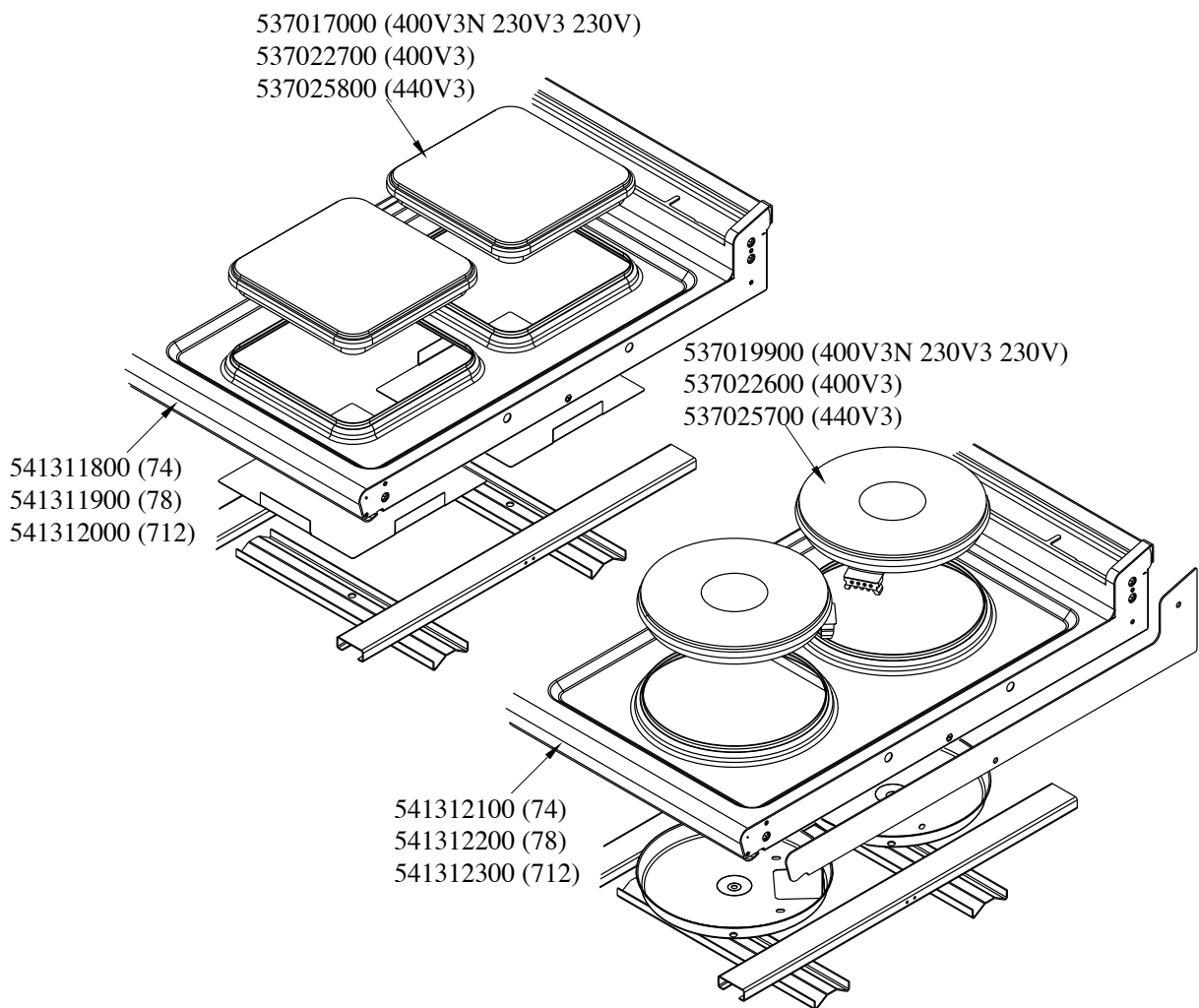
1

Kod	Nazev
537027400	TERMINAL BLOCK THREEPHASE 40A
533010500	LEG M10*25 D.40
544385500	RIGHT SIDE OF 70T LINE
544385600	LEFT SIDE OF 70T LINE
541104001	FRONTAL PANEL * S607090 PC-9 8E
532004100	FLUE GRID L=370 90LINE (RAF)

PCQT-712ET

2021_11

2





PCQT-712ET

2021_11

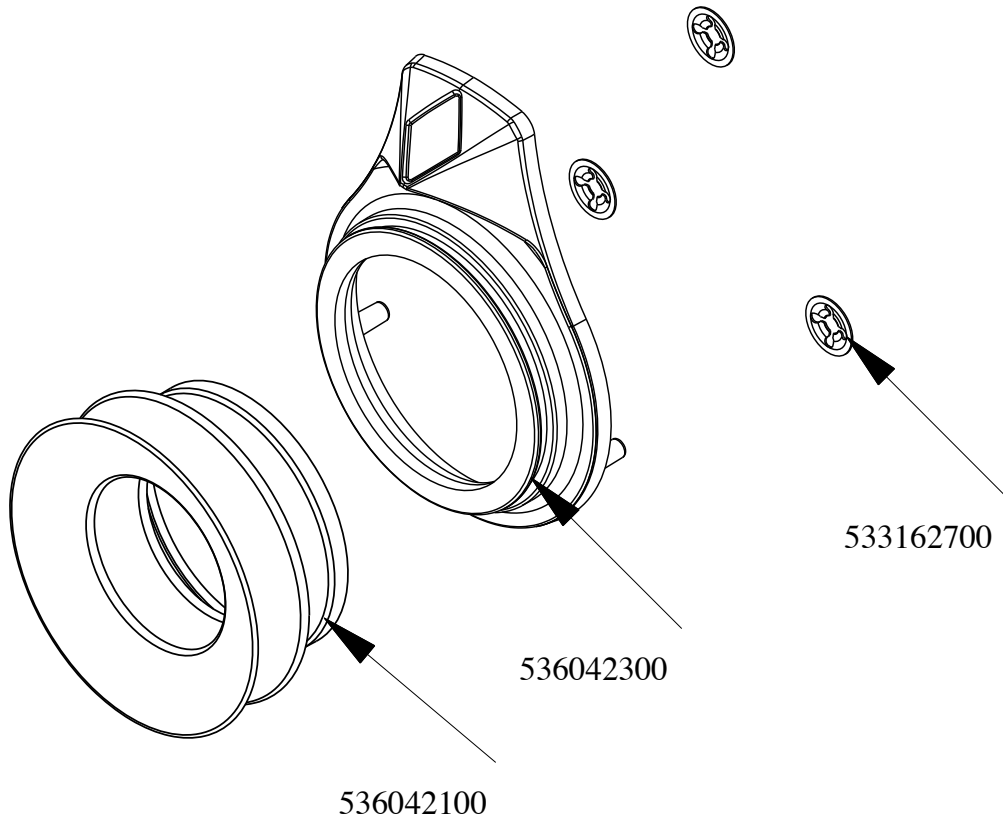
2

Kod	Nazev
541312100	ASS.PIANO S70 PC-7 4E
541312200	ASS.PIANO S70 PC-7 8E
541312300	ASS.PIANO S70 PC-712E
541311800	ASS.PIANO S70 PCQ-7 4E
541311900	ASS.PIANO S70 PCQ-7 8E
541312000	ASS.PIANO S70 PCQ-712E
537019900	PLATE D.220 W2600 V230
537022600	ELECTRICAL PLATE D.220 W2600 V400
537025700	ELECTRICAL PLATE D.220 W2600 V440
537017000	PLATE 220X220 W2600 V230
537022700	SQUARE EL. PLATE 220X220 W2600 V400
537025800	PLATE 220X220 W2600 V440

PCQT-712ET

2021_11

3





PCQT-712ET

2021_11

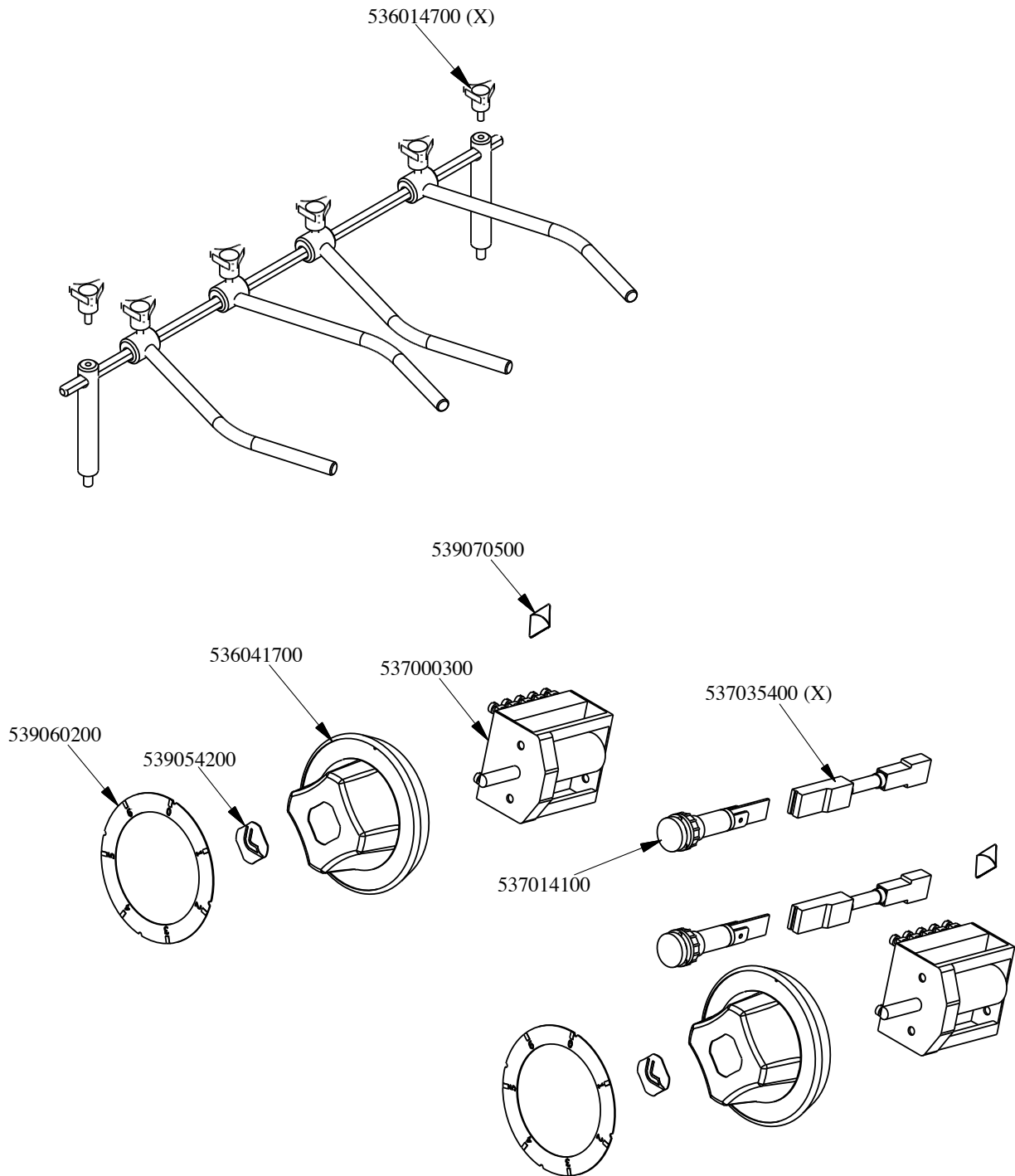
3

Kod	Nazev
536042300	SILVER CHROM. RING FOR KNOB Ø77 4 P
536042100	SEAL CASING FOR KNOB Ø77 4 P
533162700	PROCESSING CODE

PCQT-712ET

2021_11

4





PCQT-712ET

2021_11

4

Kod	Nazev
536041700	SILVER CHROM. KNOB Ø77 4P.G.Ø06X4,6
539054200	STAMP Ø20,5 CR."L" LOTUS R.
539060200	RED ADESIVE DISK FOR PC-E
537000300	COMMUTATOR 7 POSITIONS S.49 16A
539070500	ADHES.LABEL FOR RING RED SIGN.
537014100	WHITE WARNING LIGHT 250V
536014700	3 DRILL WHEELS
537035400	HEATING ELEMENT 00003W 330KOHM W/F