

Technical data sheet

Product features



Boiling kettle electric indirect autoclave 100 l

Model	SAP Code	00006241
--------------	-----------------	----------



- Device type: Electric unit
- Device heating type: Indirect
- Steam pressure regulation: Automatic - the pressure switch regulates the performance of the device
- Filling: Semi-automatic
- Jacket filling: Semi-automatic
- Drain: Yes
- Drain valve diameter: 2"
- Basin dimensions [mm x mm x mm]: 600 x 420
- Basin volume [l]: 100
- Usable volume [l]: 100

SAP Code	00006241	Basin volume [l]	100
Net Width [mm]	800	Usable volume [l]	100
Net Height [mm]	1045	Basin dimensions [mm x mm x mm]	600 x 420
Net Weight [kg]	135.00	Device heating type	Indirect
Power electric [kW]	21.000	Steam pressure regulation	Automatic - the pressure switch regulates the performance of the device
Loading	400 V / 3N - 50 Hz		

Technical data sheet

Technical drawing

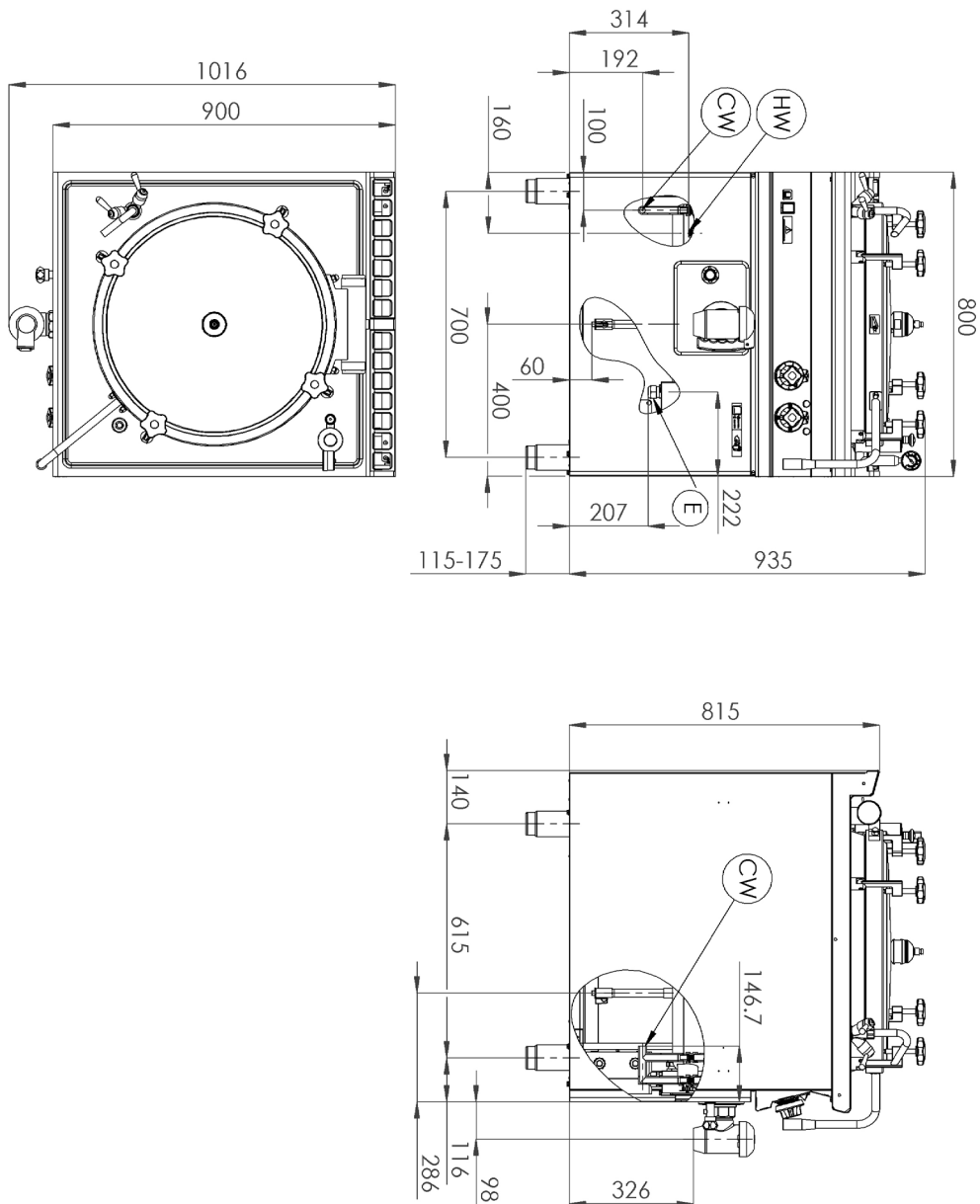


Boiling kettle electric indirect autoclave 100 l

Model

SAP Code

00006241



Technical data sheet

Product benefits



Boiling kettle electric indirect autoclave 100 l

Model

SAP Code

00006241

1

Semi-automatic tolerance

maintenance-free system
equipped with a spring for convenient tilting
long life

- savings on service interventions
- easier and faster operation

2

Degree of protection of the control elements IPX4

maintenance-free system
resistance to splash water
long life

- savings on service interventions
- easy cleaning and maintenance of equipment

3

Smart handle

protection against scalding when lifting the lid
easy handling to operate at any height

- high security
- fewer health problems caused by poor ergonomics

4

Duplicator bottom AISI 316

long service life even in an aggressive salty environment

- savings on service interventions
- avoidance of losses due to interruptions in plant operation

5

All-stainless design including bottom

long service life even in an aggressive salty environment

- savings on service interventions
- easy cleaning and maintenance of equipment

6

Upper hygienic molding with an opening for the drainage of excess contents

spilled or overflowing liquids around the boiler neck can drain into the waste

- easier to keep the workplace clean
- easier to maintain hygiene standards
- easier cleaning of the boiler surface

7

Filling taps for hot and cold water

the possibility of filling the boiler with water from above

- easier filling and draining of water
- easier to wash with hot water
- convenient faucet control on top of the boiler

Technical data sheet

Technical parameters



Boiling kettle electric indirect autoclave 100 l

Model

SAP Code

00006241

1. SAP Code:

00006241

2. Net Width [mm]:

800

3. Net Height [mm]:

1045

4. Net Weight [kg]:

135.00

5. Gross Width [mm]:

970

6. Gross depth [mm]:

840

7. Gross Height [mm]:

1170

8. Gross Weight [kg]:

140.00

9. Device type:

Electric unit

10. Construction type of device:

Stationary

11. Power electric [kW]:

21.000

12. Loading:

400 V / 3N - 50 Hz

13. Protection of controls:

IPX4

14. Device color:

Stainless steel

15. Material:

AISI 304

16. Indicators:

operation and warm-up

17. Drain valve diameter:

2"

18. Worktop type:

Molded - comfortable cleaning maintenance

19. Device heating type:

Indirect

20. Basin volume [l]:

100

21. Basin dimensions [mm x mm x mm]:

600 x 420

22. Safety thermostat:

Yes

23. Adjustable feet:

Yes

24. Bottom material:

AISI 316

25. Usable volume [l]:

100

26. Filling:

Semi-automatic

27. Jacket filling:

Semi-automatic

28. Steam pressure regulation:

Automatic - the pressure switch regulates the performance of the device

Technical data sheet

Technical parameters



Boiling kettle electric indirect autoclave 100 l

Model

SAP Code

00006241

29. Type of drain valve:

conical

32. Water filling type:

Cold

30. Overflow:

Yes

33. Drain:

Yes

31. Manometer:

Yes