

Technical data sheet

Product features



Cooking range electric square 2 zones

Model	SAP Code	00013604
--------------	-----------------	----------



- Device type: Electric unit
- Power consumption of the zone 1 [kW]: 4
- Power consumption of the zone 2 [kW]: 4
- Material: AISI 304

SAP Code	00013604	Loading	400 V / 3N - 50 Hz
Net Width [mm]	400	Number of zones	2
Net Depth [mm]	900	Power consumption of the zone 1 [kW]	4
Net Height [mm]	280	Power consumption of the zone 2 [kW]	4
Net Weight [kg]	26.00	Diameter of device [mm]	300
Power electric [kW]	8.000		

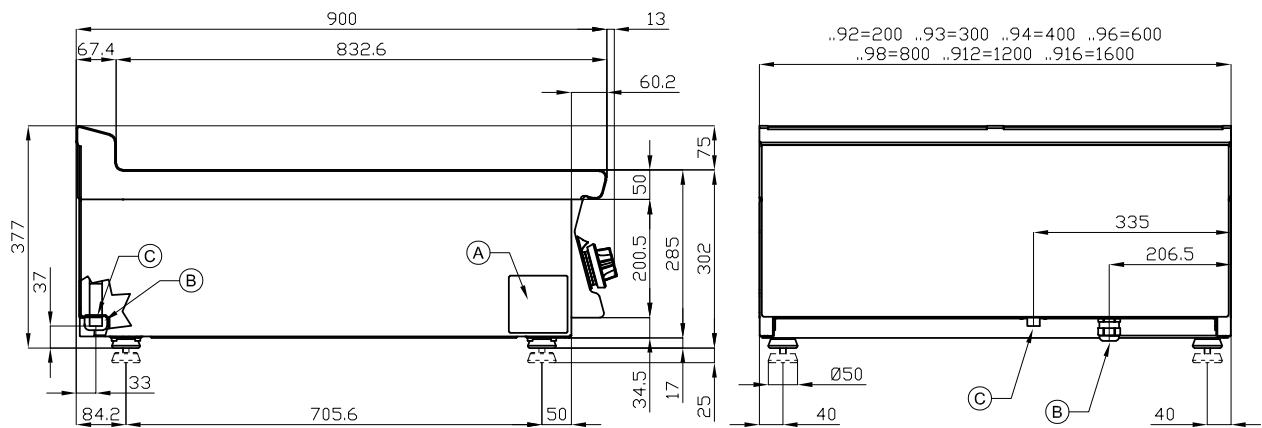
Technical data sheet

Technical drawing



Cooking range electric square 2 zones

Model	SAP Code	00013604
--------------	-----------------	----------



A	Data plate		B	Electrical connection	
---	------------	--	---	-----------------------	--

Technical data sheet

Technical parameters



Cooking range electric square 2 zones

Model

SAP Code

00013604

1. SAP Code:

00013604

2. Net Width [mm]:

400

3. Net Depth [mm]:

900

4. Net Height [mm]:

280

5. Net Weight [kg]:

26.00

6. Gross Width [mm]:

430

7. Gross depth [mm]:

970

8. Gross Height [mm]:

540

9. Gross Weight [kg]:

33.00

10. Device type:

Electric unit

11. Power electric [kW]:

8.000

12. Loading:

400 V / 3N - 50 Hz

13. Device color:

Stainless steel

14. Material:

AISI 304

15. Worktop type:

Molded - comfortable cleaning maintenance

16. Worktop material:

AISI 304

17. Worktop Thickness [mm]:

2.00

18. Number of zones:

2

19. Power consumption of the zone 1 [kW]:

4

20. Power consumption of the zone 2 [kW]:

4

21. Maximum device temperature [°C]:

300

22. Minimum device temperature [°C]:

50

23. Number of power control stages:

7

24. Service accessibility:

From the front by removing the front panel and waste fluid containers

25. Safety element:

internal thermostatic protection of the hotplate against overheating

26. Adjustable feet:

Yes

Technical data sheet

Technical parameters



Cooking range electric square 2 zones

Model	SAP Code	00013604
--------------	-----------------	----------

27. Number of burners/hot plates:

2

29. Type of electric cooking zones:

Squared

28. Diameter of device [mm]:

300