

Technical data sheet

Product features



Pasta cooker electric 40 l with cabinet 400 V

Model	SAP Code	00000356
--------------	-----------------	----------



- Basin volume [l]: 40
- Water inlet: mechanical tap
- Drain type: Through the substructure with connection to waste
- Drain: Yes
- Safety drain: Yes
- Material: AISI 304 top plate and cladding
- Protection of controls: IPX5
- Maximum device temperature [°C]: 30

SAP Code	00000356	Loading	400 V / 3N - 50 Hz
Net Width [mm]	600	Basin volume [l]	40
Net Depth [mm]	600	Width of internal part [mm]	510
Net Height [mm]	900	Depth of internal part [mm]	307
Net Weight [kg]	71.00	Height of internal part [mm]	327
Power electric [kW]	13.500		

Technical data sheet

Technical drawing

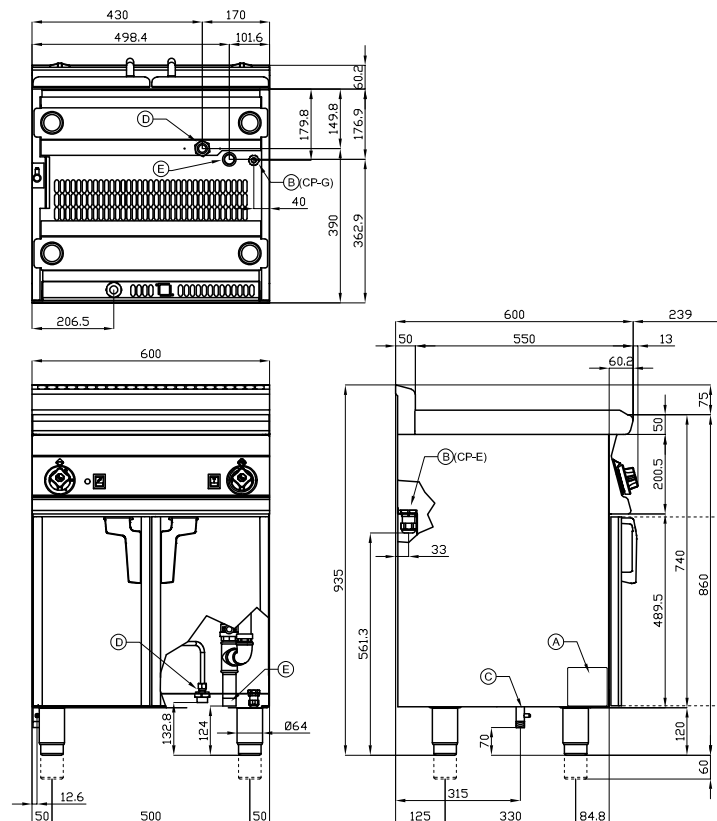


Pasta cooker electric 40 l with cabinet 400 V

Model

SAP Code

00000356



A	Data plate		B	Electrical connection	
D	Cold water connection	ISO 7-1 3/4" M	E	Water drainage	ISO 7-1 1" M

Technical data sheet

Product benefits



Pasta cooker electric 40 l with cabinet 400 V

Model

SAP Code

00000356

1

All-stainless steel bathtub

long life
resistance of AISI 304 stainless steel material
the material does not cut

- savings on service interventions
- easier and faster operation

2

Degree of protection of the control elements IPX5

maintenance-free system
resistance to splash water
long life

- savings on service interventions
- easy cleaning and maintenance of equipment

3

Outlet to a removable collector in the substructure

outlet of the bath into the prepared container

- easy and safe handling

4

Micro switch

microswitch preventing the device from running when there is no water in the bath

- prevents destruction of the equipment by overheating

5

Rotating heating element

microswitch preventing the device from running when there is no water in the bath

- effective cleaning when the body is tipped out
- easy access even to corners and time saving

Technical data sheet

Technical parameters



Pasta cooker electric 40 l with cabinet 400 V

Model

SAP Code

00000356

1. SAP Code:

00000356

2. Net Width [mm]:

600

3. Net Depth [mm]:

600

4. Net Height [mm]:

900

5. Net Weight [kg]:

71.00

6. Gross Width [mm]:

630

7. Gross depth [mm]:

670

8. Gross Height [mm]:

1110

9. Gross Weight [kg]:

81.00

10. Device type:

Electric unit

11. Construction type of device:

With substructure

12. Power electric [kW]:

13.500

13. Loading:

400 V / 3N - 50 Hz

14. Protection of controls:

IPX5

15. Device color:

Stainless steel

16. Material:

AISI 304 top plate and cladding

17. Indicators:

operation and warm-up

18. Worktop type:

Molded - comfortable cleaning maintenance

19. Worktop material:

AISI 304

20. Worktop Thickness [mm]:

1.00

21. Device heating type:

Direct

22. Basin volume [l]:

40

23. Basin dimensions [mm x mm x mm]:

510 x 307 x 327

24. Device capacity [l]:

40.00

25. Maximum device temperature [°C]:

30

26. Minimum device temperature [°C]:

110

27. Power control type:

control knob - thermostat

28. Number of power control stages:

4

Technical data sheet

Technical parameters



Pasta cooker electric 40 l with cabinet 400 V

Model

SAP Code

00000356

29. Service accessibility:

Trough the frontal panel

30. Safety element:

security ambush

31. Safety thermostat:

Yes

32. Adjustable feet:

Yes

33. Additional information:

baskets are not included - can be purchased

34. Number of basins:

1

35. Basin material:

AISI 316 - Stainless steel highly resistant to salt water

36. Heating element construction:

highly resistant heating elements
rotary heating element

37. Water inlet:

mechanical tap

38. Drain type:

Through the substructure with connection to waste

39. Drain:

Yes

40. Safety drain:

Yes

41. Heating location:

Inside the tank

42. Width of internal part [mm]:

510

43. Depth of internal part [mm]:

307

44. Height of internal part [mm]:

327

45. Image for addition:

C43BF4C8-136D-4C73-BA8A-690C85C5B568