

Technical data sheet

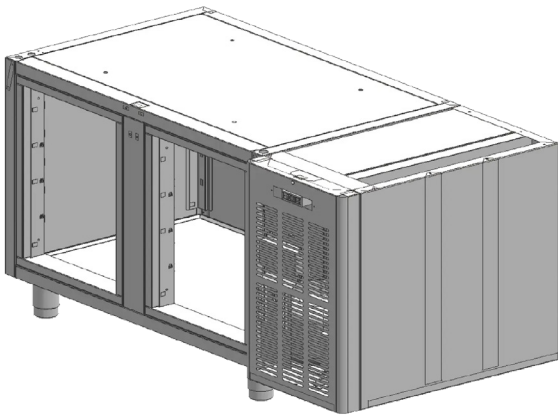
Product features



Box SCH 2D cooling counter stainless steel

Model	SAP Code	00006518
--------------	-----------------	----------

– Material: Stainless steel



SAP Code	00006518	Net Height [mm]	1050
Net Width [mm]	800	Net Weight [kg]	70.00
Net Depth [mm]	1480		

Technical data sheet

Technical drawing

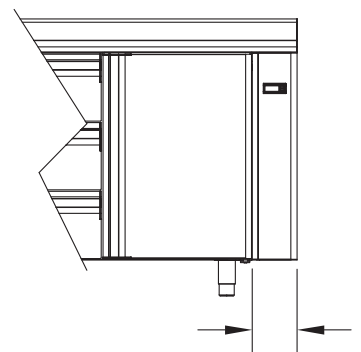
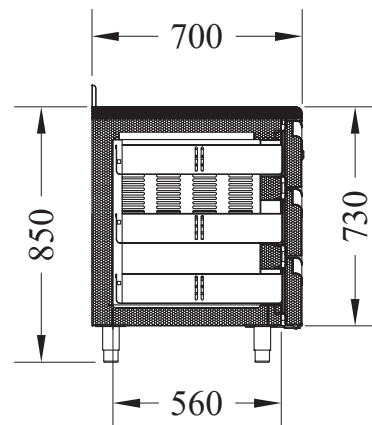
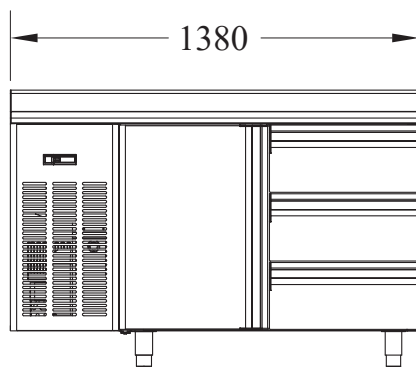
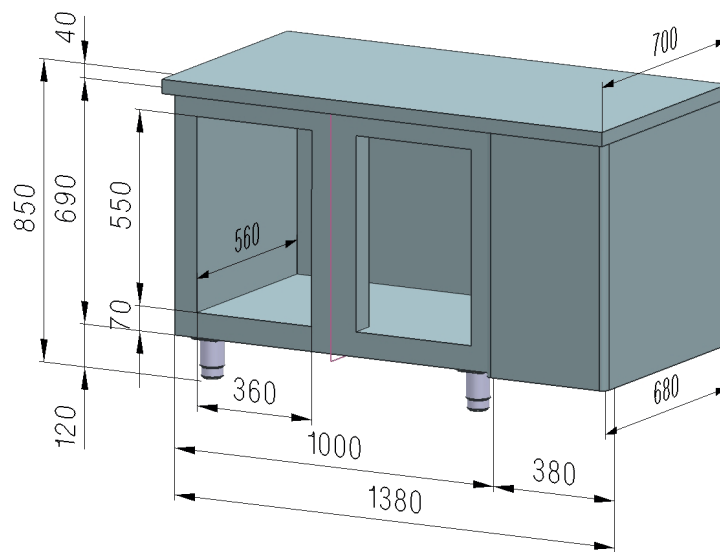


Box SCH 2D cooling counter stainless steel

Model

SAP Code

00006518



Technical data sheet

Technical parameters



Box SCH 2D cooling counter stainless steel

Model

SAP Code

00006518

1. SAP Code:

00006518

6. Gross Width [mm]:

800

2. Net Width [mm]:

800

7. Gross depth [mm]:

1480

3. Net Depth [mm]:

1480

8. Gross Height [mm]:

1050

4. Net Height [mm]:

1050

9. Gross Weight [kg]:

80.00

5. Net Weight [kg]:

70.00

10. Material:

Stainless steel