

Technical data sheet

Product features



Bain marie electric 40

Model	SAP Code	00013626
--------------	-----------------	----------



- Water inlet: mechanical tap
- Drain type: On the front panel
- Safety drain: Yes
- Material: AISI 304
- Protection of controls: IPX5
- Maximum device temperature [°C]: 90

SAP Code	00013626	Net Weight [kg]	29.00
Net Width [mm]	400	Power electric [kW]	2.850
Net Depth [mm]	900	Loading	230 V / 1N - 50 Hz
Net Height [mm]	280	GN device depth	150

Technical data sheet

Technical drawing

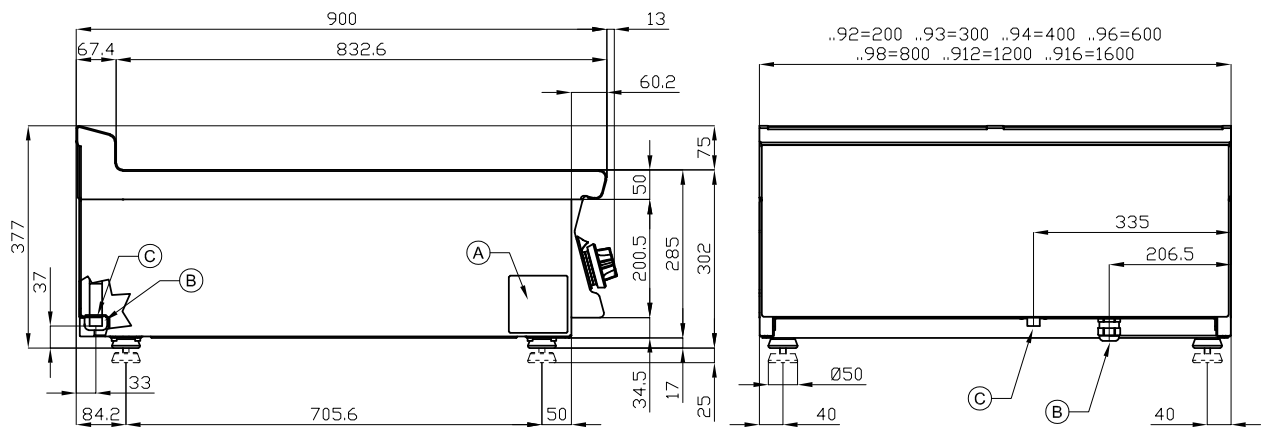


Bain marie electric 40

Model

SAP Code

00013626



A	Data plate	B	Electrical connection
---	------------	---	-----------------------

Technical data sheet

Technical parameters



Bain marie electric 40

Model

SAP Code

00013626

1. SAP Code:

00013626

2. Net Width [mm]:

400

3. Net Depth [mm]:

900

4. Net Height [mm]:

280

5. Net Weight [kg]:

29.00

6. Gross Width [mm]:

430

7. Gross depth [mm]:

970

8. Gross Height [mm]:

540

9. Gross Weight [kg]:

39.00

10. Device type:

Electric unit

11. Construction type of device:

Table top

12. Power electric [kW]:

2.850

13. Loading:

230 V / 1N - 50 Hz

14. Protection of controls:

IPX5

15. Device color:

Stainless steel

16. Material:

AISI 304

17. Indicators:

operation and warm-up

18. Worktop type:

Molded - comfortable cleaning maintenance

19. Maximum device temperature [°C]:

90

20. Minimum device temperature [°C]:

30

21. Safety thermostat:

Yes

22. Adjustable feet:

Yes

23. Heating element material:

AISI 304

24. Number of basins:

1

25. Basin material:

AISI 304 - High quality stainless steel

26. Water inlet:

mechanical tap

27. Drain type:

On the front panel

28. Safety drain:

Yes

Technical data sheet

Technical parameters



Bain marie electric 40

Model

SAP Code

00013626

29. GN device depth:

150