

Technical data sheet

Product features



Electric range with hot air oven

Model	SAP Code	00014791
--------------	-----------------	----------



- Device type: Electric unit
- Type of internal part of the appliance 2 (eg oven): Hot air
- Protection of controls: IP24
- Material: AISI 304 top plate and cladding

SAP Code	00014791	Net Weight [kg]	122.90
Net Width [mm]	800	Power electric [kW]	13.100
Net Depth [mm]	730	Loading	400 V / 3N - 50 Hz
Net Height [mm]	900	Type of internal part of the appliance 2 (eg oven)	Hot air

Technical data sheet

Technical drawing

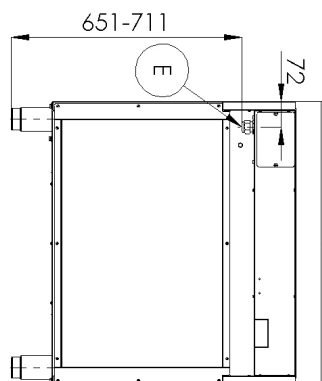
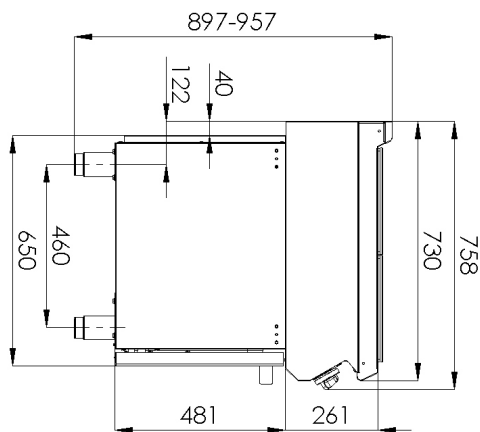
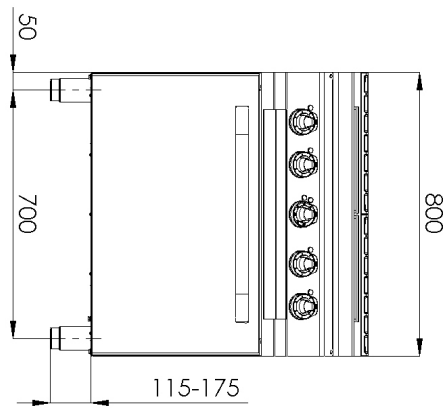


Electric range with hot air oven

Model

SAP Code

00014791



Technical data sheet

Product benefits



Electric range with hot air oven

Model

SAP Code

00014791

1

Square

heat
Effective cooking on a large neighborhood

- saving time when preparing meals
- Easy to operate thanks to a large area

2

Internal thermostatic protection of the hob

a longer life of the hob

3

Degree of protection of controls IPX4

maintenance -free
water resistance
long life

- Savings on service interventions
- easy cleaning of the device

4

Nationheres

long life
Cut -made steel of 10 mm thick boards

- Savings on service interventions
- higher corrosion resistance

5

Hygienic embossments of the top plate

absence of sharp corners and edges (potential places where dirt could adhere)
smooth transitions

- Simple fast cleaning

6

A hot air oven with four positions of grate

hot -air baking
high capacity and variability
nationheres

- Suitable for meat, fish, baked pasta, white meat, sweet pastry
- long life
- simple cleaning

Technical data sheet

Technical parameters



Electric range with hot air oven

Model

SAP Code

00014791

1. SAP Code:

00014791

2. Net Width [mm]:

800

3. Net Depth [mm]:

730

4. Net Height [mm]:

900

5. Net Weight [kg]:

122.90

6. Gross Width [mm]:

840

7. Gross depth [mm]:

800

8. Gross Height [mm]:

1080

9. Gross Weight [kg]:

132.00

10. Device type:

Electric unit

11. Construction type of device:

Stationary

12. Power electric [kW]:

13.100

13. Loading:

400 V / 3N - 50 Hz

14. Protection of controls:

IP24

15. Device color:

Stainless steel

16. Material:

AISI 304 top plate and cladding

17. Indicators:

operation

18. Worktop type:

Molded - comfortable cleaning maintenance

19. Worktop material:

AISI 304

20. Worktop Thickness [mm]:

1.50

21. Maximum device temperature [°C]:

400

22. Minimum device temperature [°C]:

50

23. Number of power control stages:

6

24. Service accessibility:

Trough the frontal panel

25. Adjustable feet:

Yes

26. Number of burners/hot plates:

4

27. Type of gas cooking zones:

Thales

28. Type of electric cooking zones:

Squared

Technical data sheet

Technical parameters



Electric range with hot air oven

Model	SAP Code	00014791
-------	----------	----------

29. Oven Type:

electric hot air

33. Gasket:

Yes

30. Oven power electric [kW]:

3.13

34. Maximum temperature of the inner chamber [°C]:

300

31. Oven size:

GN 1/1

35. Minimum temperature of the inner chamber [°C]:

50

32. Type of internal part of the appliance 2 (eg oven):

Hot air