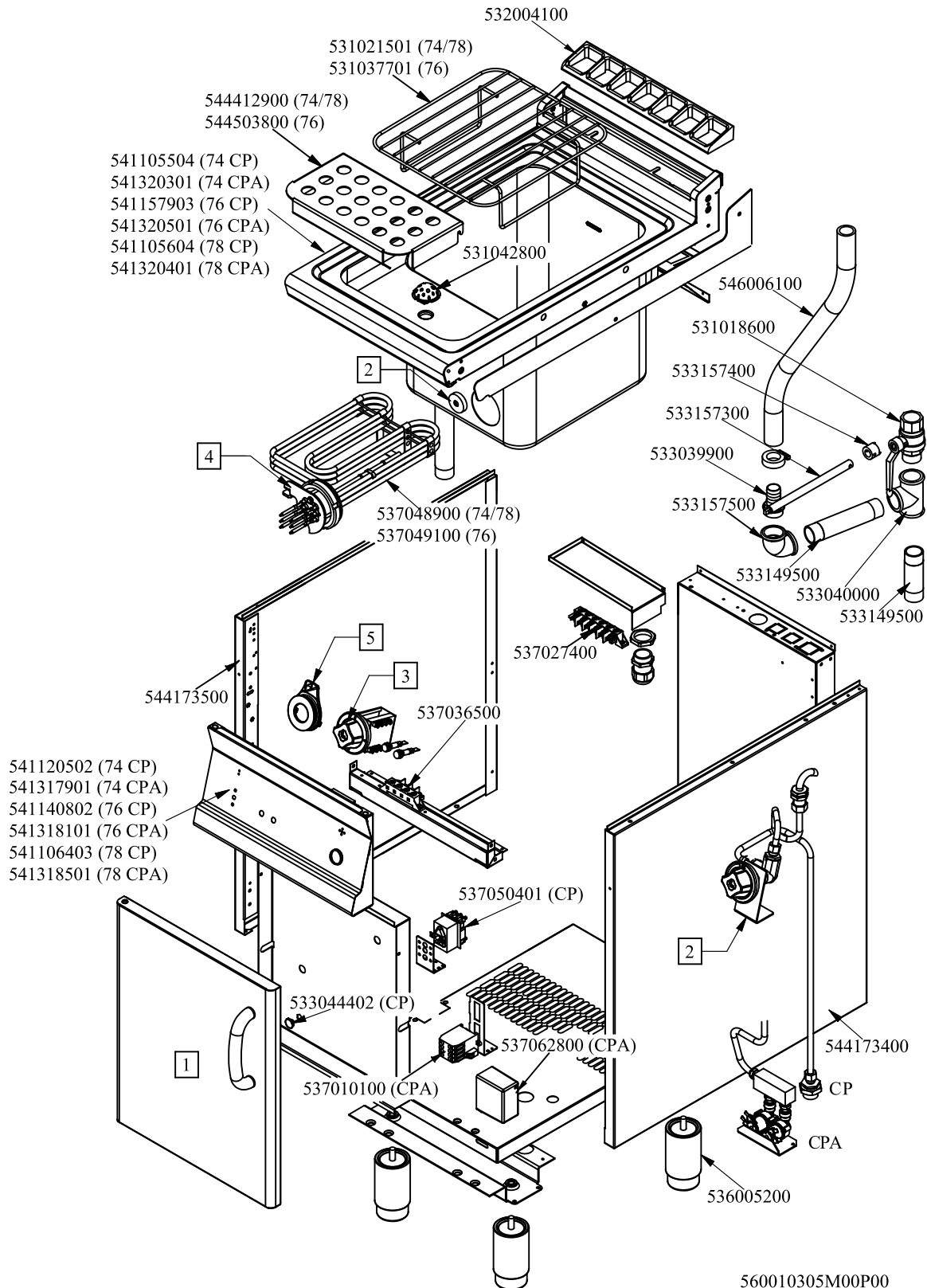


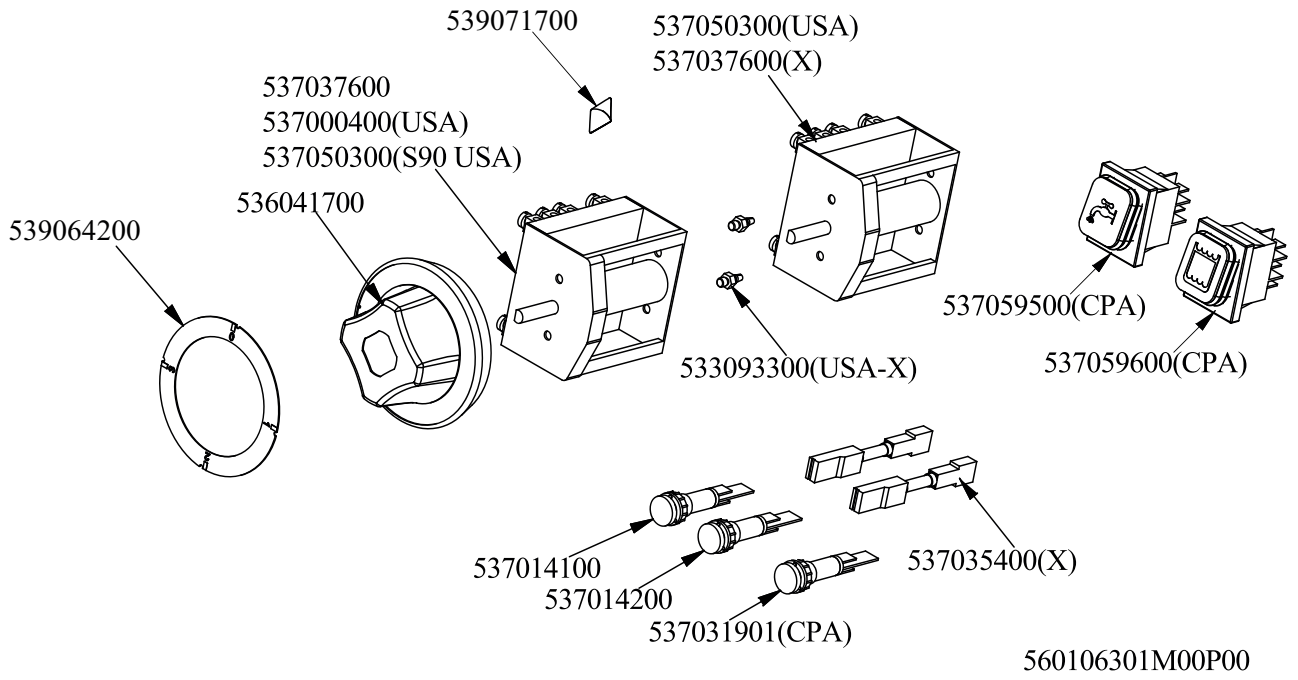
RM 700
 Platný od 1.5. 2019
 CP-76ET



560010305M00P00

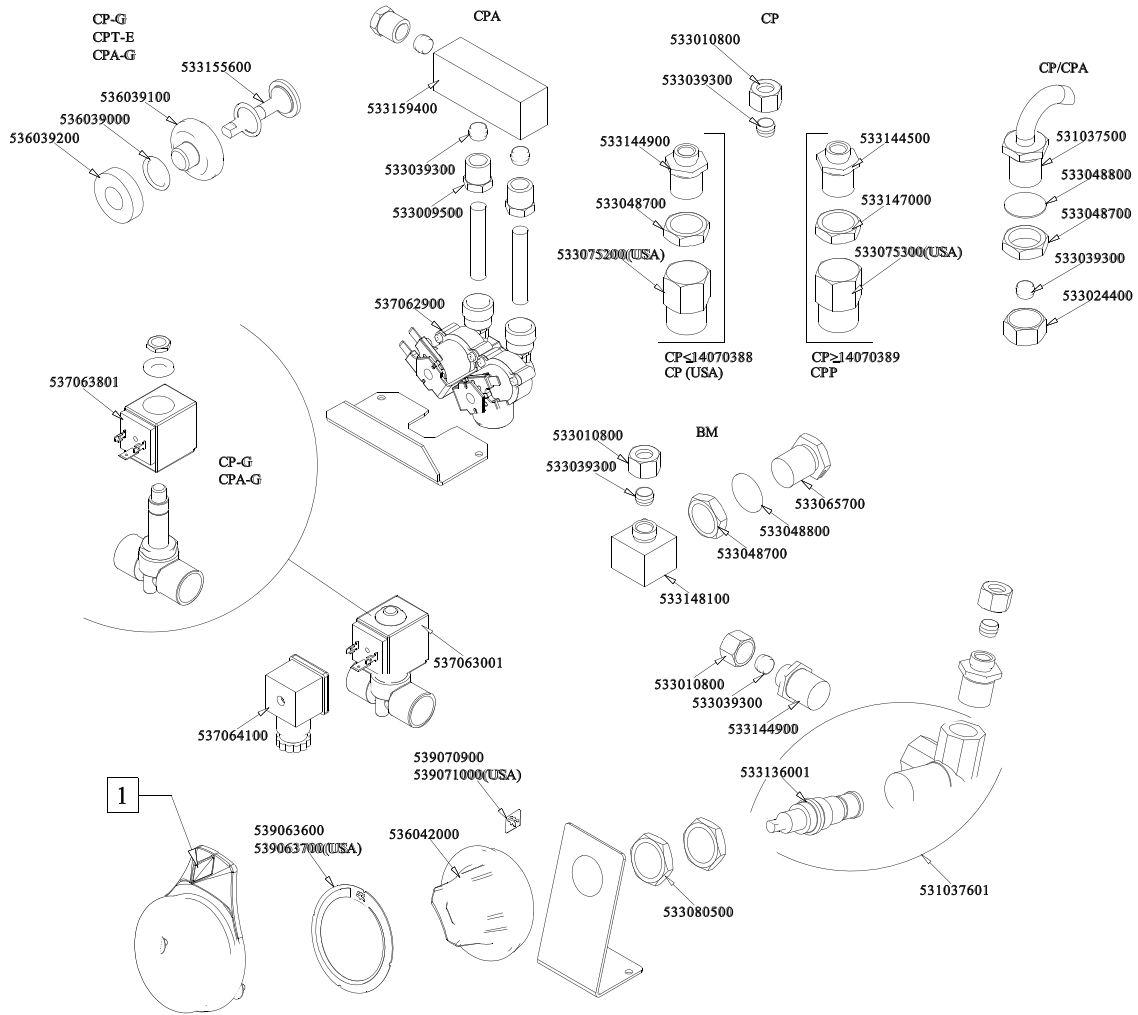


Objednačí kód	Popis v ENG
544173400	RIGHT SIDE PANEL S.70
537050401	SAFETY THERMOSTAT 185°C THREEPHASE
533044402	M8 THREADED CAP FOR SEC.THERMOSTAT
537036500	TERMINAL BLOCK 4POLES 40A SCREW-SCR
544173500	LEFT SIDE PANEL S.70
531042800	SEMISPHERE FILTER
546006100	RUBBER TUBE §25INT.*§33EXT.*L=540
533039900	PIPE HOLDER 1" G M D.24
533157300	
533157400	
531018600	BALL VALVE 1"G M-F CPM-62G
533040000	1"G F-F-F "T" FITTING
533149500	
533157500	
541140802	
537049100	COVERED HEATING ELEMENT CP76 13500W
544503800	
531037701	BASKET SUPPORT GRID CP S.90
541157903	
536005200	INOX LEG 2" 120-180 M10
532004100	FLUE GRID L=370 90LINE (RAF)
-	-
-	-
-	-
-	-
-	-

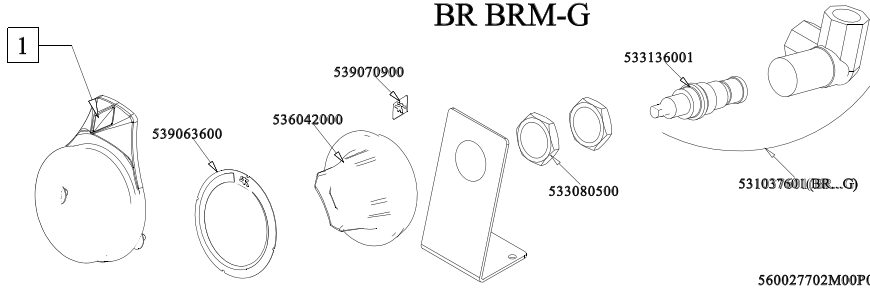




Objednáací kód	Popis v ENG
536041700	SILVER CHROM. KNOB Ø77 4P.G.Ø06X4,6
537014100	WHITE WARNING LIGHT 250V
537014200	GREEN WARNING LIGHT 250V
537037600	COMMUTATOR 4 POS.3PHASE S.43 32A
537000400	COMMUTATOR 1POS.SINGLEPHASE S49 16A
537050300	COMMUTAT.4POS.3PHASE 43 32A CP UL
539065800	BLACK ADESIVE DISK FOR CPT-ET
539063800	ADHESIVE DISK 72 4 P.DRAIN COCK USA
533093300	LOCKING PIN SWITCH S.43 THERMOST
537059500	P.D. BLUE SWITCH
537059600	
537031901	RED WARNING LIGHT PCI 12V E FASTON
537050300	COMMUTAT.4POS.3PHASE 43 32A CP UL
537037600	COMMUTATOR 4 POS.3PHASE S.43 32A
537035400	HEATING ELEMENT 00003W 330KOHM W/F
539071700	ADHES.LABEL FOR RING GREEN SIGN.

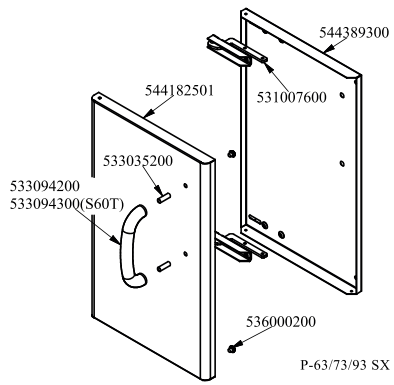


BR BRM-G

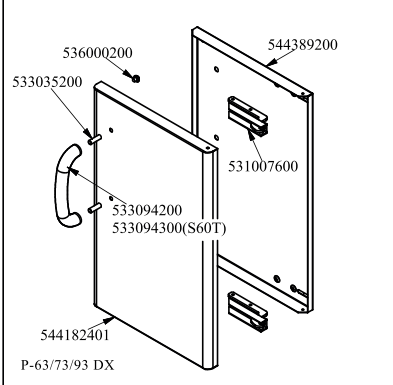




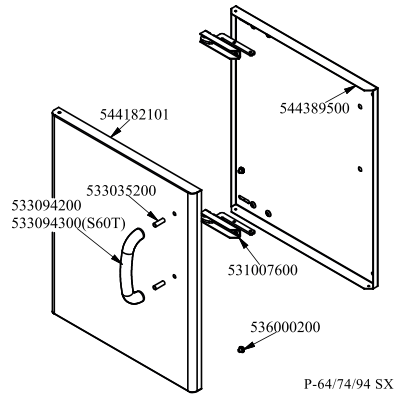
Objednací kód	Popis v ENG
536042000	SILVER CHROM. KNOB Ø77 4P.G.Ø8SX6,5
533136001	SCREW TAP WATER LOAD FOR CP S70/90
531037601	TAP FOR WATER 90°DX CP
539063600	ADHESIVE DISK 72 FOR DRAIN COCK
539070900	ADHES.LABEL FOR RING WATER TAP
531037601	TAP FOR WATER 90°DX CP
533010800	TUBE NUT D.10 M16*1,5
533039300	BICONE §10
533144900	MALE FITTING WATER INLET M16X1,5
539071000	PROCESSING CODE
539063700	ADHESIVE DISK 72 FOR DRAIN COCK USA
533048700	NUT 1/2G ZN
533075200	PROCESSING CODE
533147000	BICONE FITTING 3/4G ZN
533144500	FITTING FOR WATER INPUT 3/4G
533075300	PROCESSING CODE
533080500	PROCESSING CODE
533148100	
533048800	GASKET §30*§21*2 FIBRE
533065700	FITTING FOR WATER INPUT 1/2G
531037500	PROCESSING CODE
533024400	HEXAGONAL NUT 1/2G TUBE D.10
537062900	ELECTRO-VALVE 3/4GM-2Ø10JG 230V RPV
533009500	NIPPLE FOR BICONE 10S
533159400	
536039000	GASKET O-RING 12,42X1,78 SILIC.
536039100	GUIDE FOR WATER SENSOR
533155600	PIVOT SENSOR FOR WATER
536039200	SPACER FOR WATER SENSOR
537064100	CONNECTION * ELECTROVALVE 537063001
537063801	
537063001	ELECTROVALVE G 1/2 230V
-	-



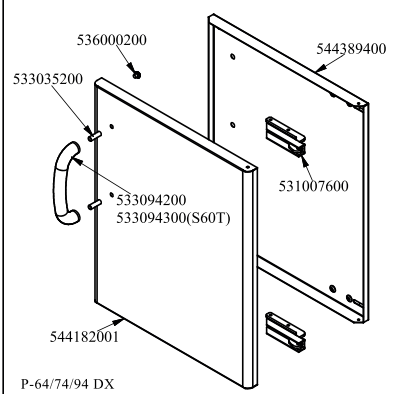
P-63/73/93 SX



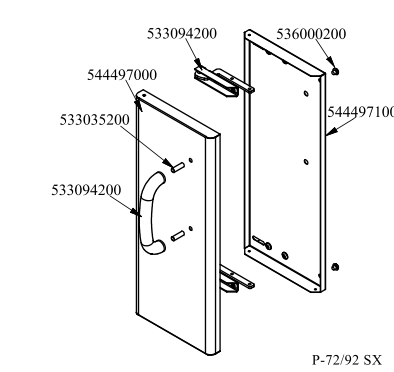
P-63/73/93 DX



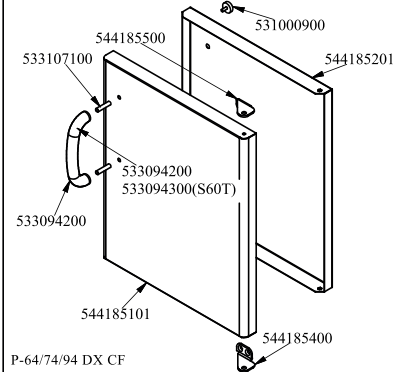
P-64/74/94 SX



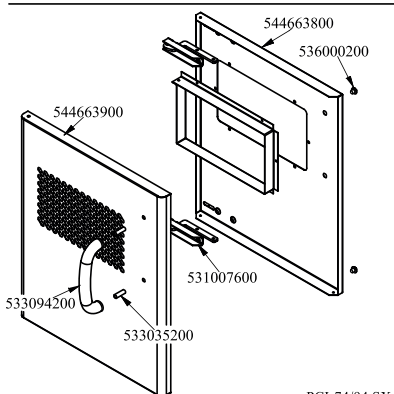
P-64/74/94 DX



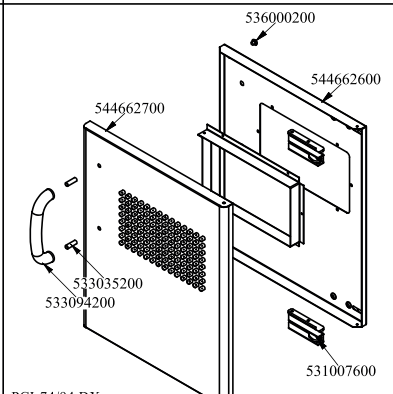
P-72/92 SX



P-64/74/94 DX CF



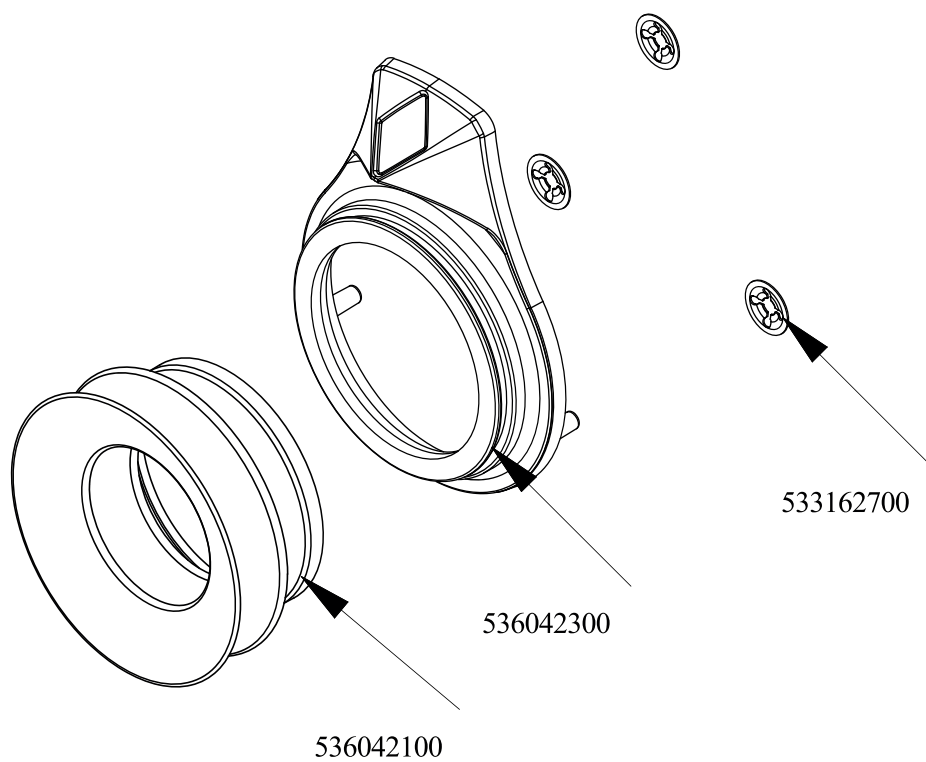
PCI-74/94 SX



PCI-74/94 DX



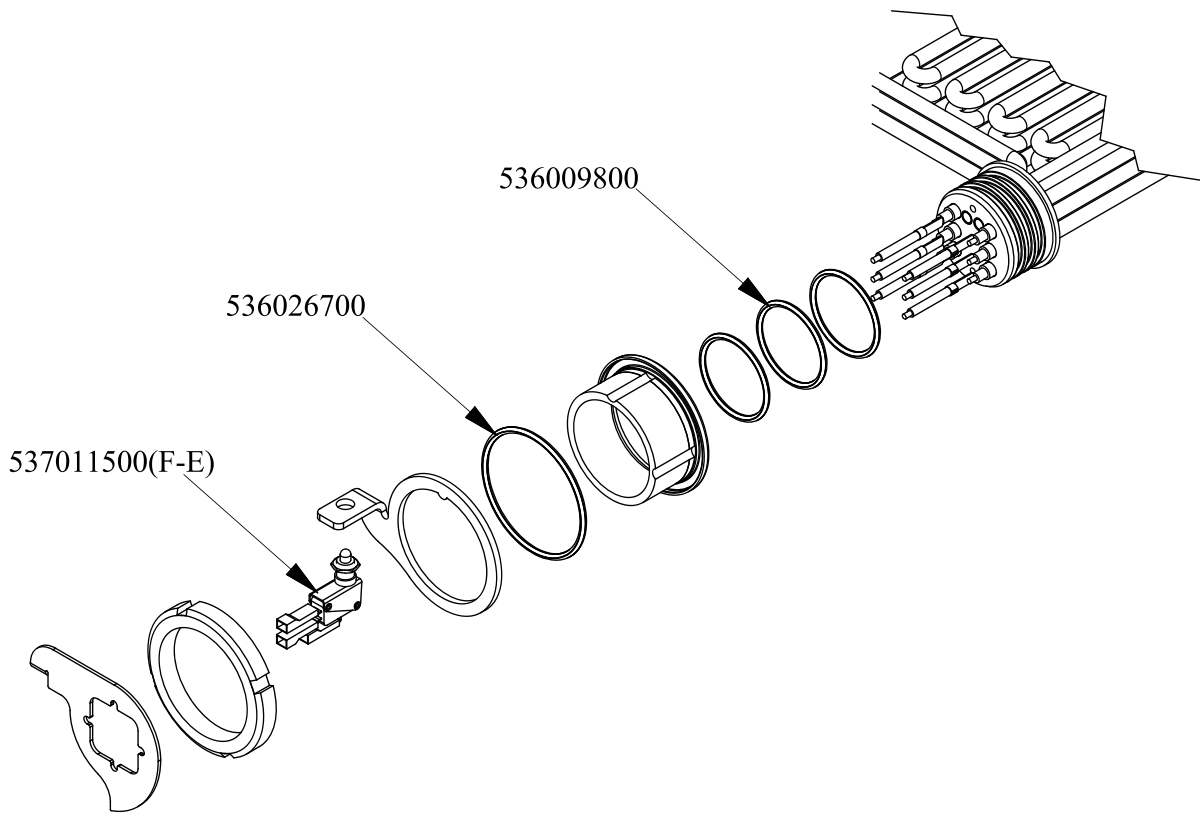
Objednací kód	Popis v ENG
544185101	RIGHT DOOR 74 CF
533107100	HANDLE SPACER OF CF-70
533094200	S/S HANDLE FOR 70/90 SERIES
544185400	LOWER DOOR HINGE FOR COMPARTME CF70
544185500	UPPER DOOR HINGE FOR COMPARTME CF70
544185201	INNER DOOR * 74DX
531000900	MAGNET §22 KG.3 WITH DISK
536000200	D.12 H.4 BUMPER
544182001	RIGHT DOOR 74
531007600	DOOR HINGE
544389400	
533035200	HANDLE SPACER
544182101	LEFT DOOR 74
544389500	INNER-DOOR OF LHD 74
544182401	RIGHT DOOR 73
544389200	
544389300	
544182501	LEFT DOOR 73
544497000	
544497100	
544663900	LHD 74 DOOR FOR PCI
544663800	74 LHD OVEN INNER DOOR FOUR PCI
544662700	DOOR 74 DX PCI
544662600	
533094300	S/S HANDLE FOR 600T.LINE



560125700M00P00



Objednačí kód	Popis v ENG
536042300	SILVER CHROM. RING FOR KNOB Ø77 4 P
536042100	SEAL CASING FOR KNOB Ø77 4 P
533162700	PROCESSING CODE



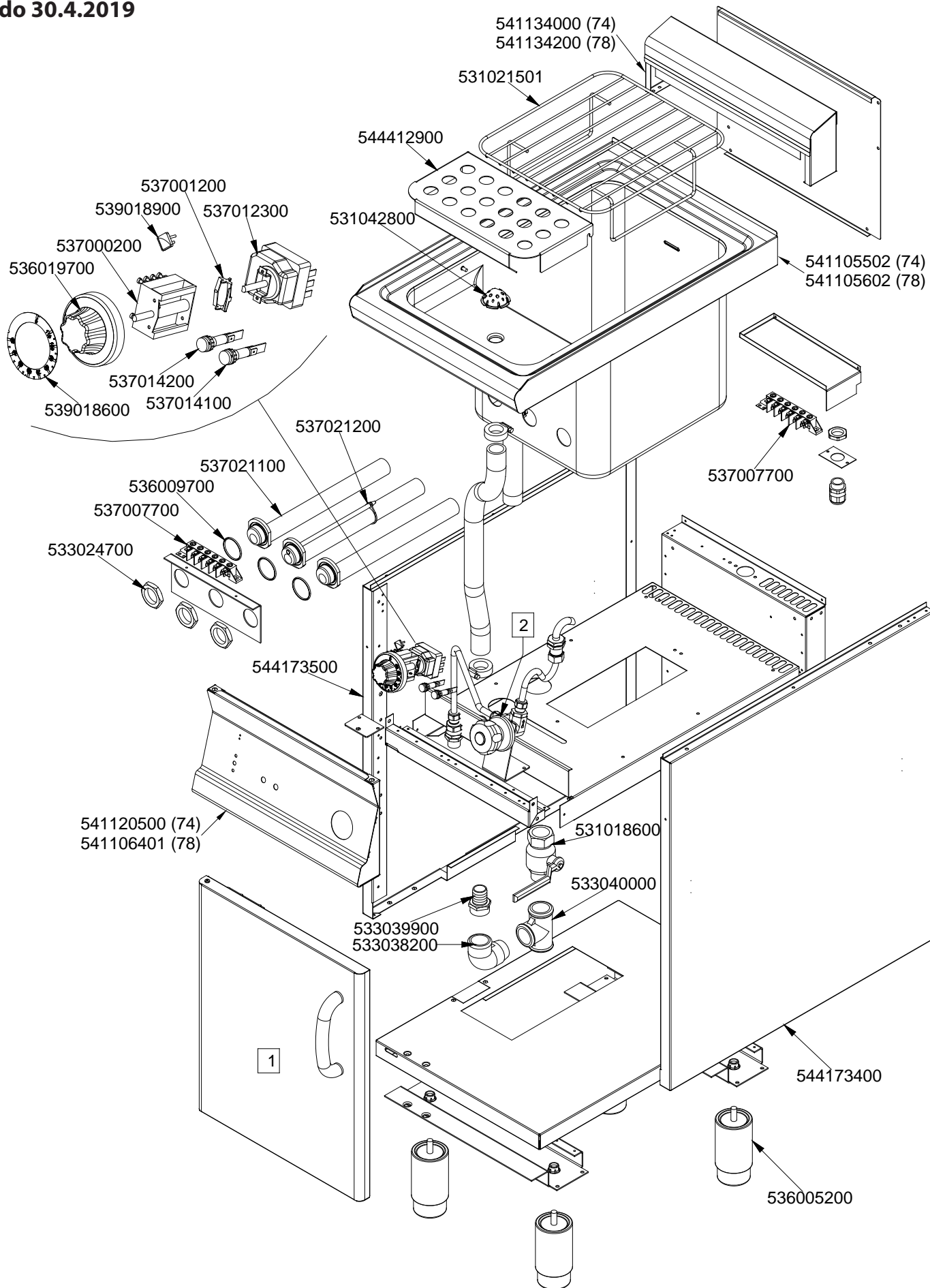
560111000M00P00



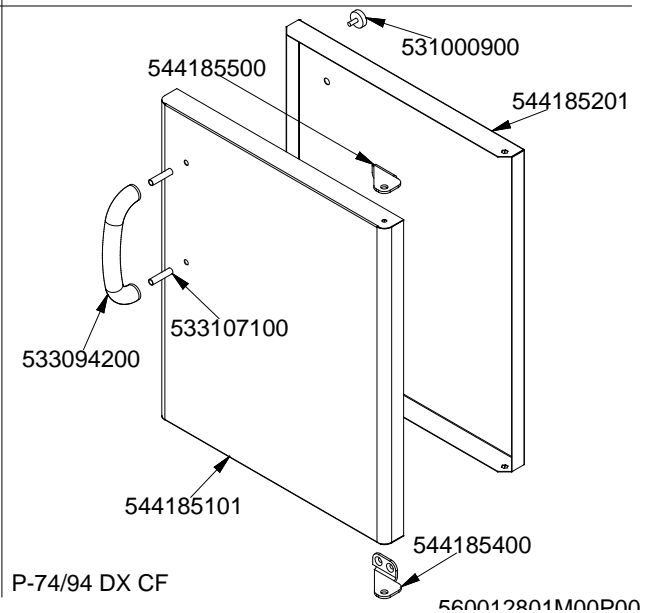
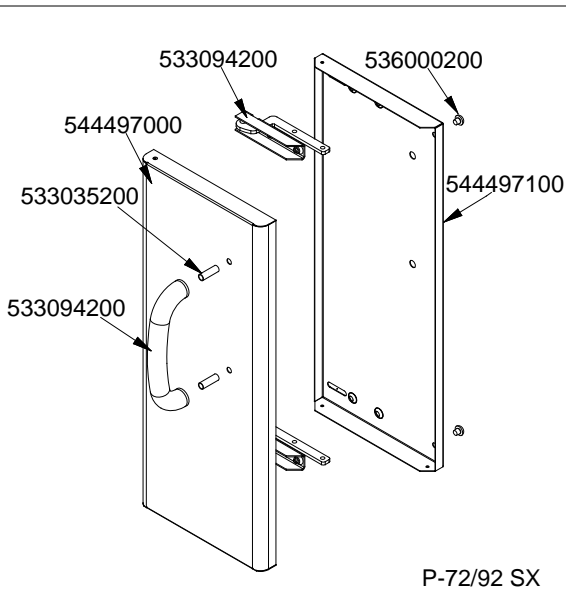
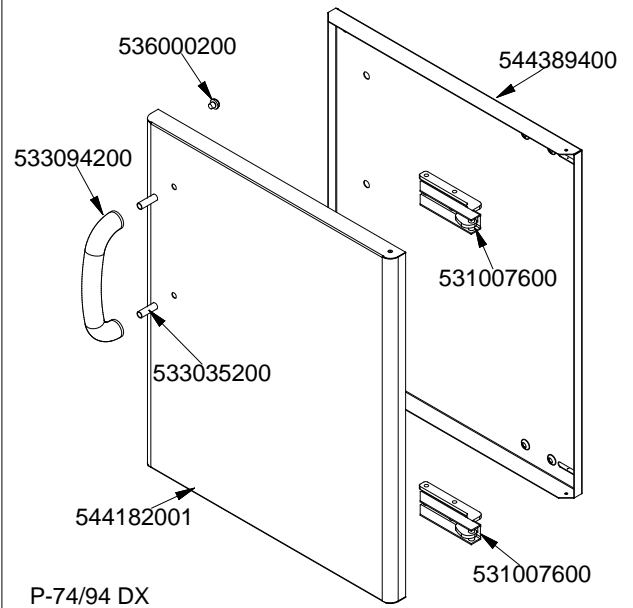
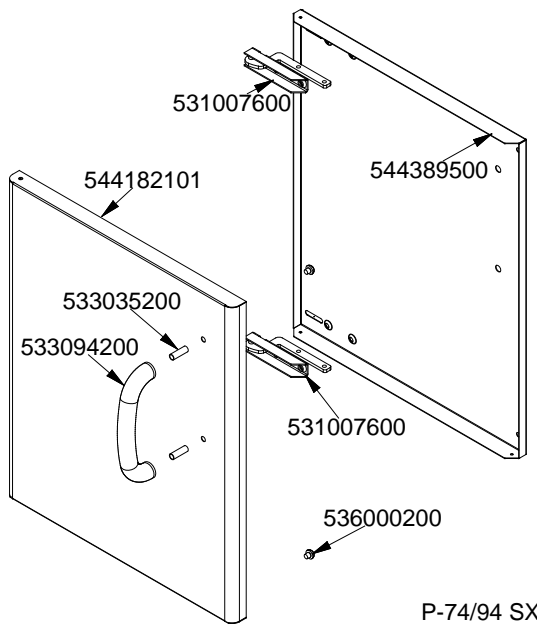
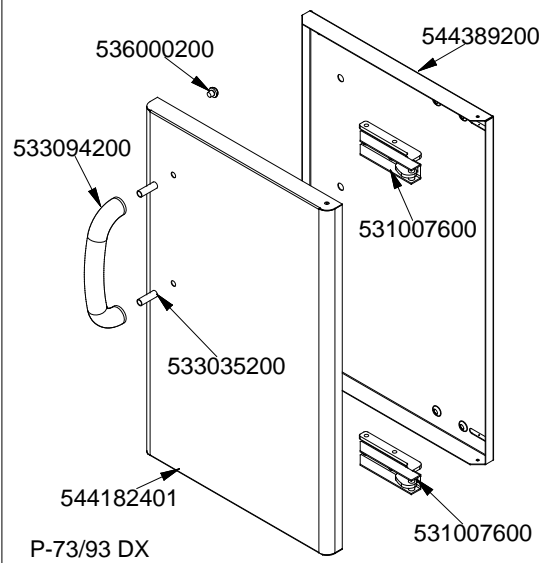
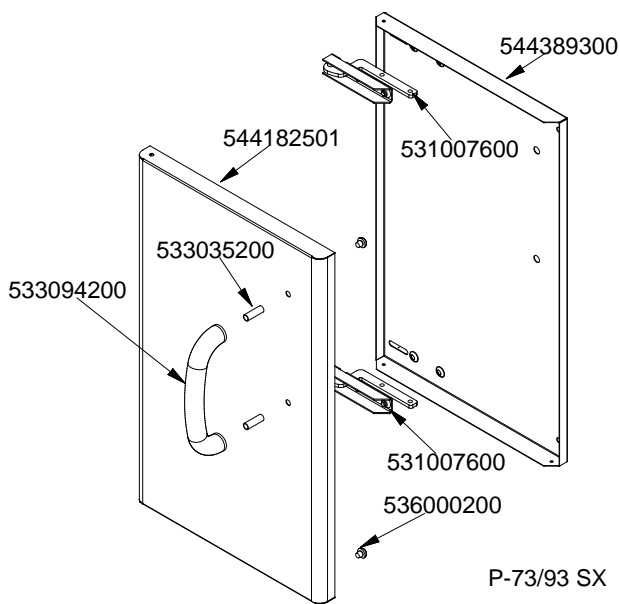
Objednací kód	Popis v ENG
536009800	GASKET O-RING 47,22X3,53 VITON
536026700	GASKET O-RING 74,61X3,53 VITON
537011500	MICRO-SWITCH 10A 400V



CP - 76 ET
 Platný od
 1.5.2016
 do 30.4.2019



CP - 76 ET (1)
 Platný od
 1.5.2016
 do 30.4.2019





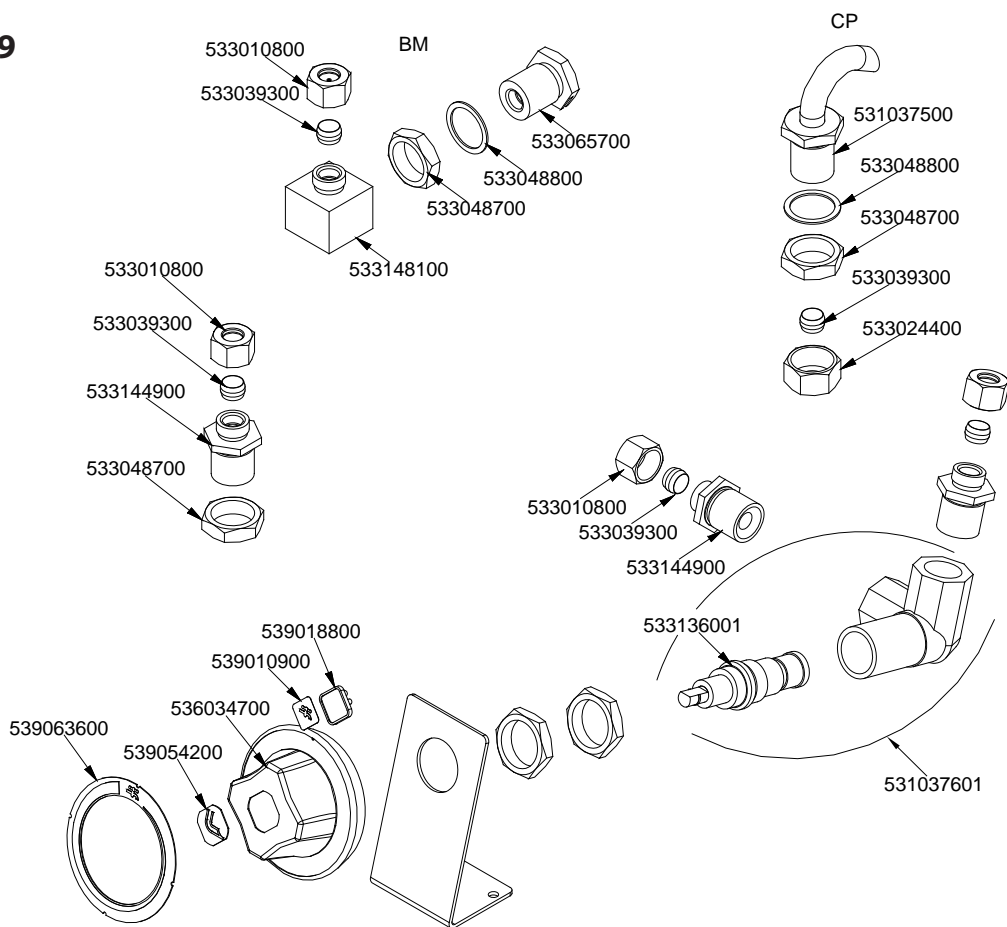
CP - 76 ET

(2)

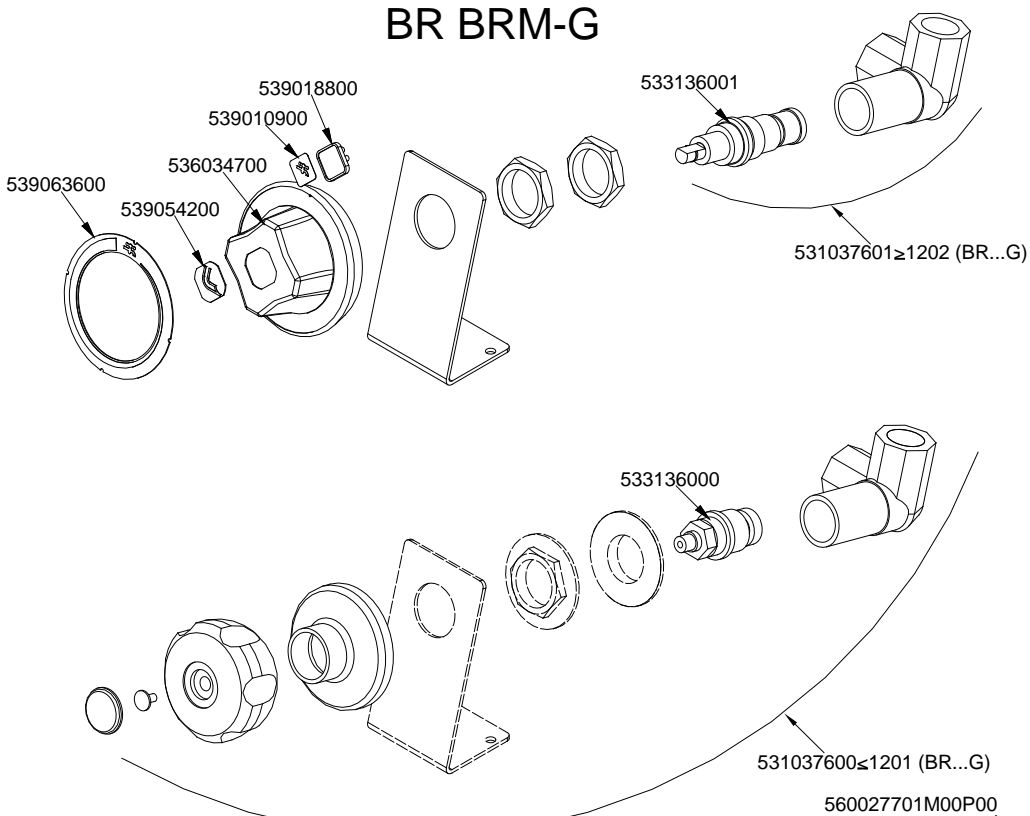
Platný od

1.5.2016

do 30.4.2019



BR BRM-G





CP - 76 ET

(2)

Platný od

1.5.2016

do 30.4.2019

