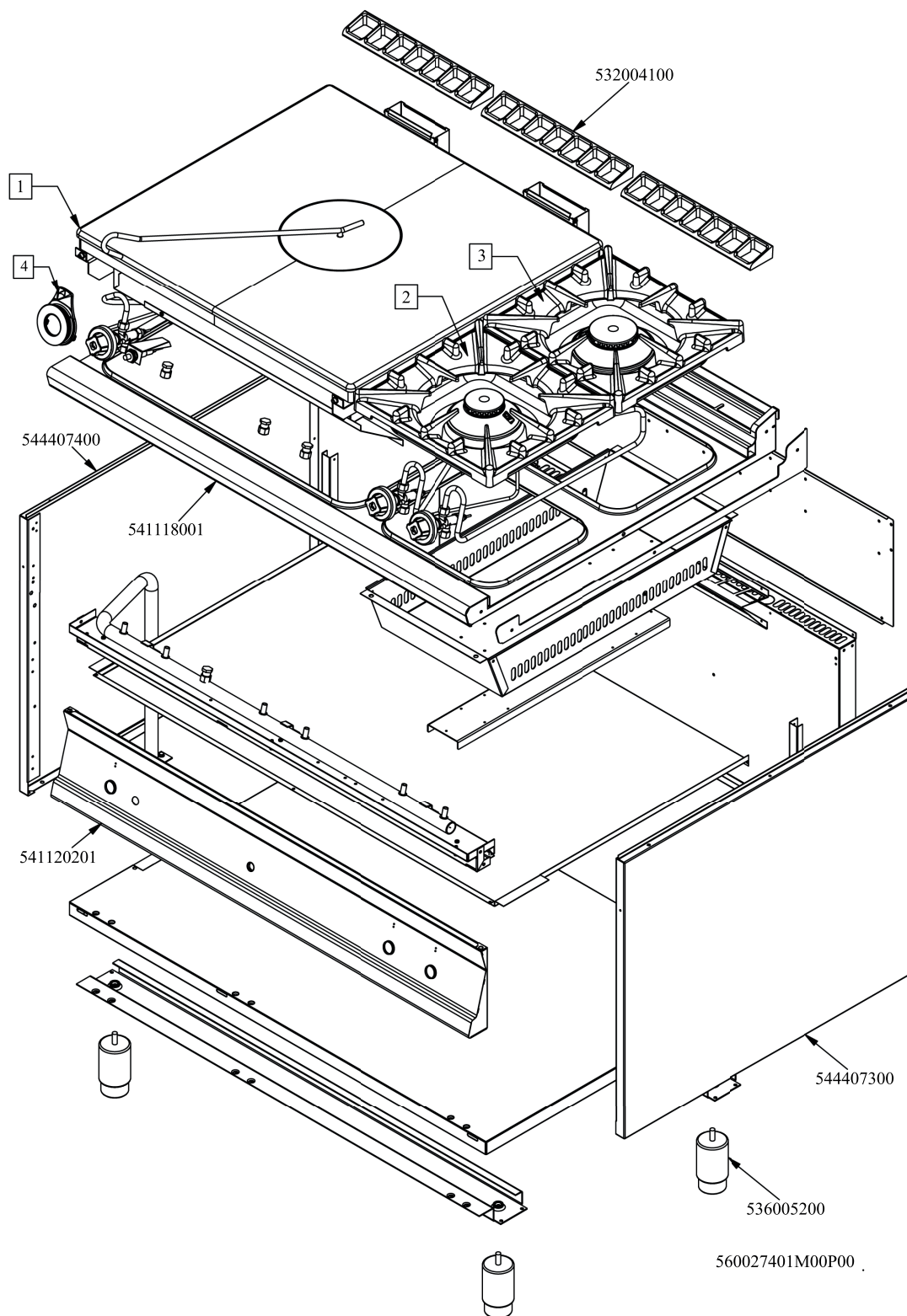
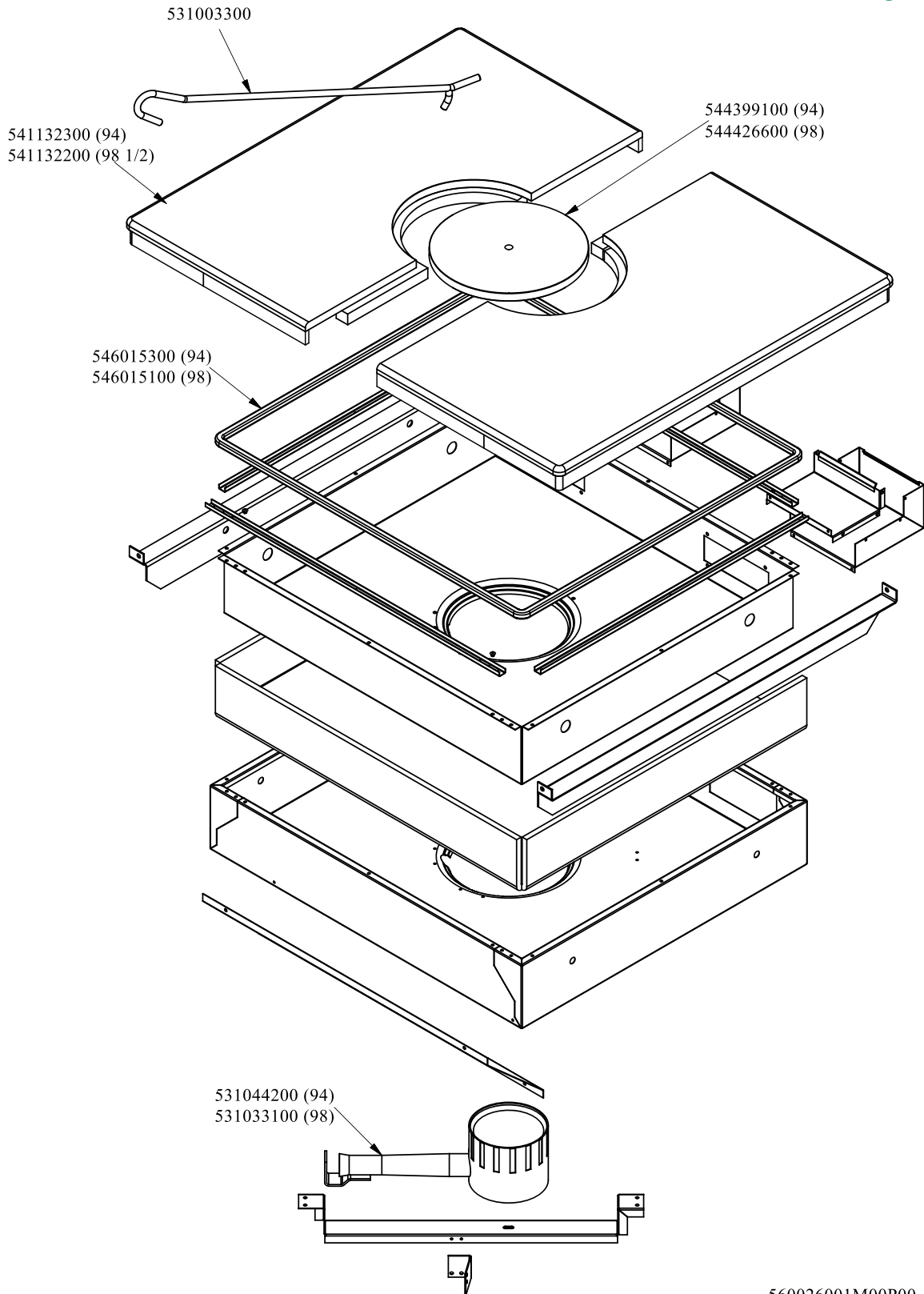


RM 900  
 Platný od 1.5. 2019  
 TP2-912G





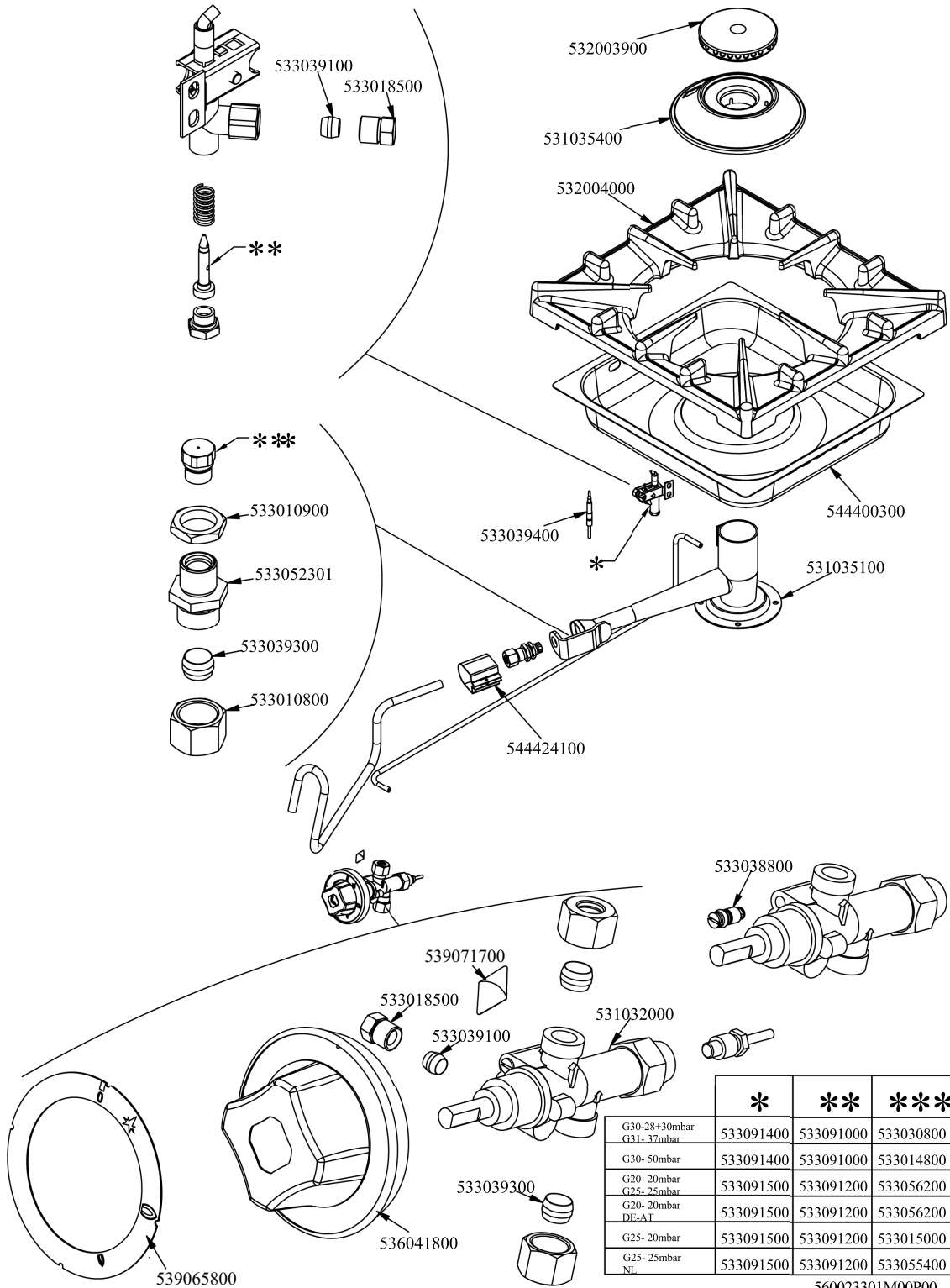
Objednačí kód	Popis v ENG
532004100	FLUE GRID L=370 90LINE (RAF)
544407400	LEFT SIDE PANEL 70 LINE
544407300	RIGHT SIDE PANEL 90 LINE
536005200	INOX LEG 2" 120-180 M10
541120201	
541118001	
-	-
-	-
-	-
-	-



560026001M00P00



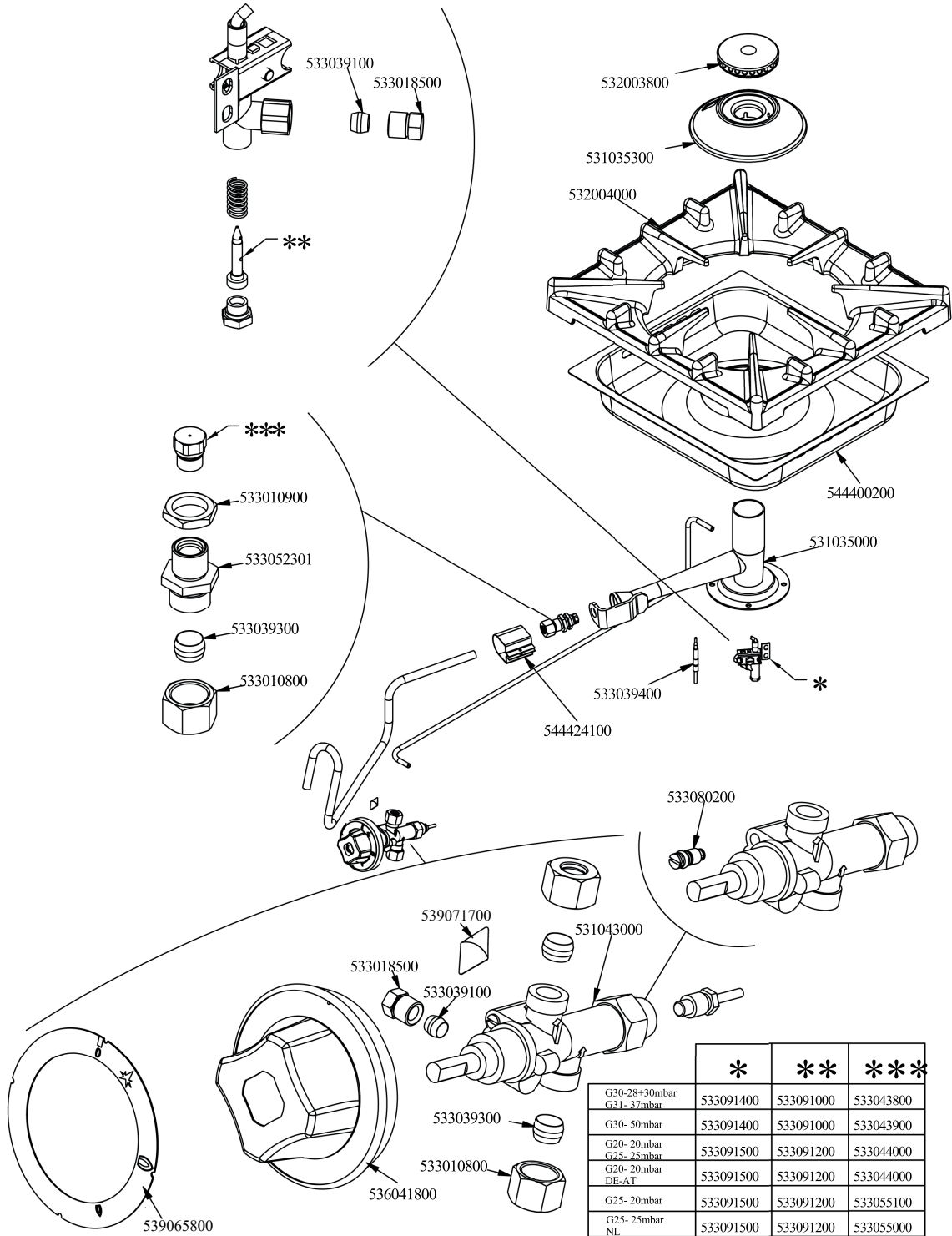
Objednací kód	Popis v ENG
544399100	PLATE RING FOR TP-74G TP-94G
544426600	PLATE RING FOR TP-98G
531044200	CIRCULAR BURNER TP D.066
531033100	BURNER TP..-78G
546015300	SQUARE BRAID 12*12*L=1821
546015100	SQUARE BRAID OF INSULATING MATERIAL
541132300	PLATE TP-94G
541132200	PLATE TP-98G (1/2)



560023301M00P00



Objednací kód	Popis v ENG
533030800	NOZZLE §155 CH12X14 M-CW
533014800	NOZZLE §135 CH12*14,0
533056200	NOZZLE §230 CH12*14
533015000	NOZZLE D.I 260 G110 (TOWN GAS)
533055400	NOZZLE §245 CH12*14
533091000	NOZZLE 0.100 §20
533091200	PILOT NOZZLE 0100 Ø35 PIL.PC
533091400	P.NOZZLE S100 UG §20 PC90 LPG-FLUS
533091500	PILOT NOZZLE S.100 §30 PC90 NAT.GAS
539065800	BLACK STICKING DISK 72
536041800	SILVER CHROM. KNOB Ø77 4P.G.Ø08X6,5
533039300	BICONE §10
533039100	BICONE §6
531035400	BIG BURNER BODY 90 LINE
532004000	1 FLAME GRILL 396X366 (90)
544424100	AIR ADJUSTMENT BUSHING*BURNER PC90
533039400	THERMOCOUPLE M9*1*850
533018500	FITTING FOR BICONE D.6 M10*1
539071700	ADHES.LABEL FOR RING GREEN SIGN.
533010800	TUBE NUT D.10 M16*1,5
533052301	JOINT FOR NOZZLE HOLDER
533010900	NUT M14*1 H.4
532003900	BURNER COVER RING §100
544400300	BURNER DRIP PAN 2/3
531035100	BIG BURNER VENTURI 90 LINE
531032000	GAS COCK P.V.BY-PASS Ø075
533038800	75 BY-PASS FOR 21S TAP

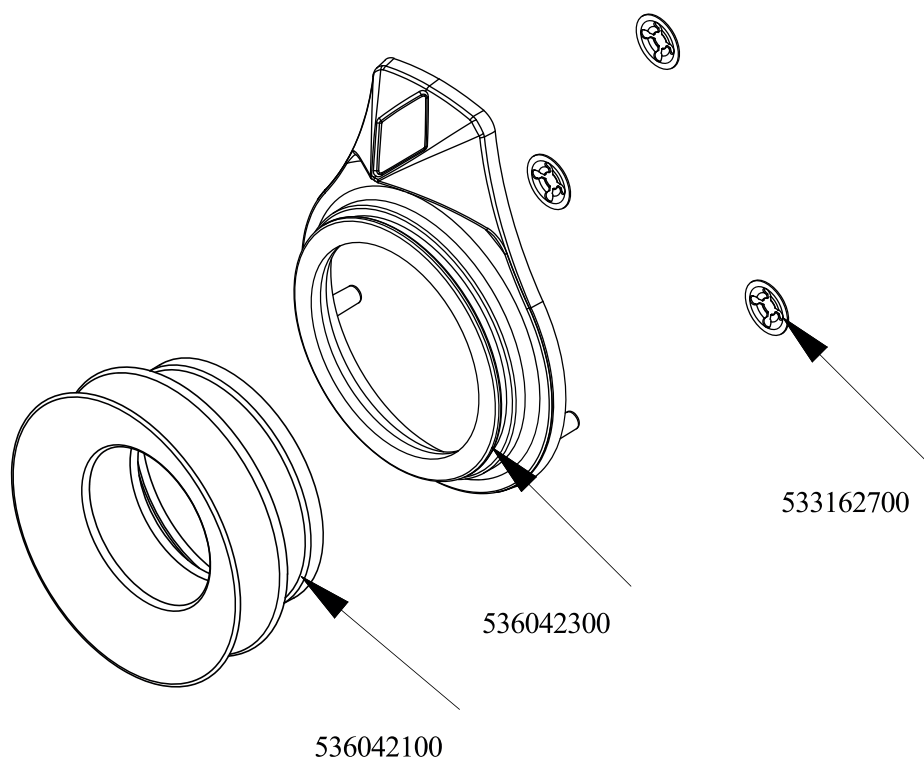


560023201M00P00



Objednací kód	Popis v ENG
533043800	NOZZLE §130 CH12*14 G-CW4
533043900	NOZZLE §115 CH12*14 F-CW4
533044000	NOZZLE §195 CH12*14 M-CW4
533055100	NOZZLE §215 CH12*14 L-CW4
533055000	NOZZLE §205 CH12*14 G25 CW4
533091000	NOZZLE 0.100 §20
533091200	PILOT NOZZLE 0100 Ø35 PIL.PC
533091400	P.NOZZLE S100 UG.§20 PC90 LPG-FLUS
533091500	PILOT NOZZLE S.100 §30 PC90 NAT.GAS
539054200	
539065800	BLACK STICKING DISK 72
536041800	SILVER CHROM. KNOB Ø77 4P.G.Ø08X6,5
533039100	BICONE §6
533010900	NUT M14*1 H.4
533052301	JOINT FOR NOZZLE HOLDER
533039300	BICONE §10
533010800	TUBE NUT D.10 M16*1,5
533018500	FITTING FOR BICONE D.6 M10*1
532003800	BURNER COVER RING §082
531035300	MEDIUM BURNER BODY 90 LINE
532004000	1 FLAME GRILL 396X366 (90)
544400200	BURNER DRIP PAN 2/3
531035000	MEDIUM BURNER VENTURI 90 LINE
544424100	AIR ADJUSTMENT BUSHING*BURNER PC90
533039400	THERMOCOUPLE M9*1*850
531043000	GAS COCK 21S P.V. BY-PASS §065
539071700	ADHES.LABEL FOR RING GREEN SIGN.
533080200	BY PASS COCK §65 20S-21S





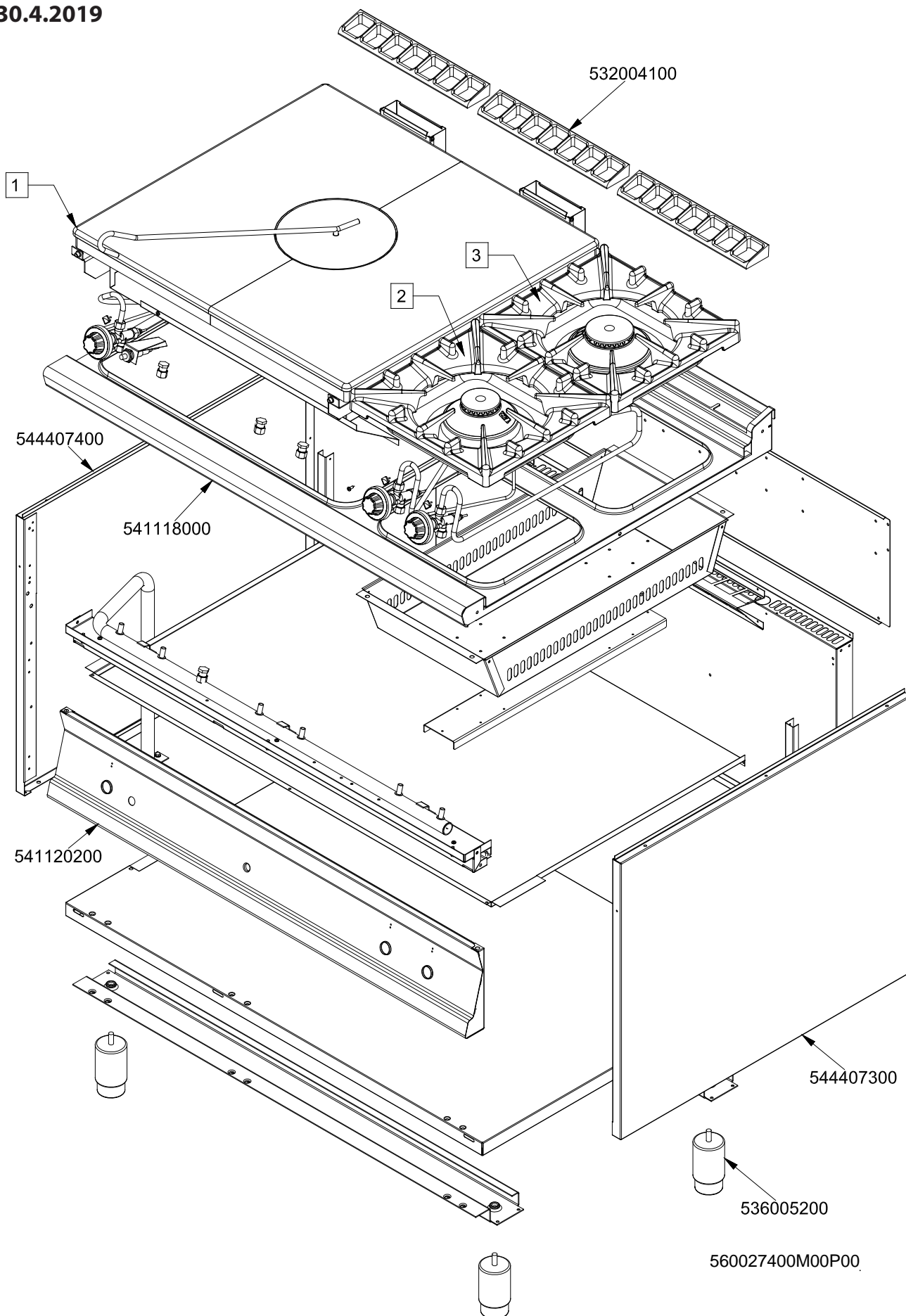
560125700M00P00



Objednací kód	Popis v ENG
536042300	SILVER CHROM. RING FOR KNOB Ø77 4 P
536042100	SEAL CASING FOR KNOB Ø77 4 P
533162700	PROCESSING CODE

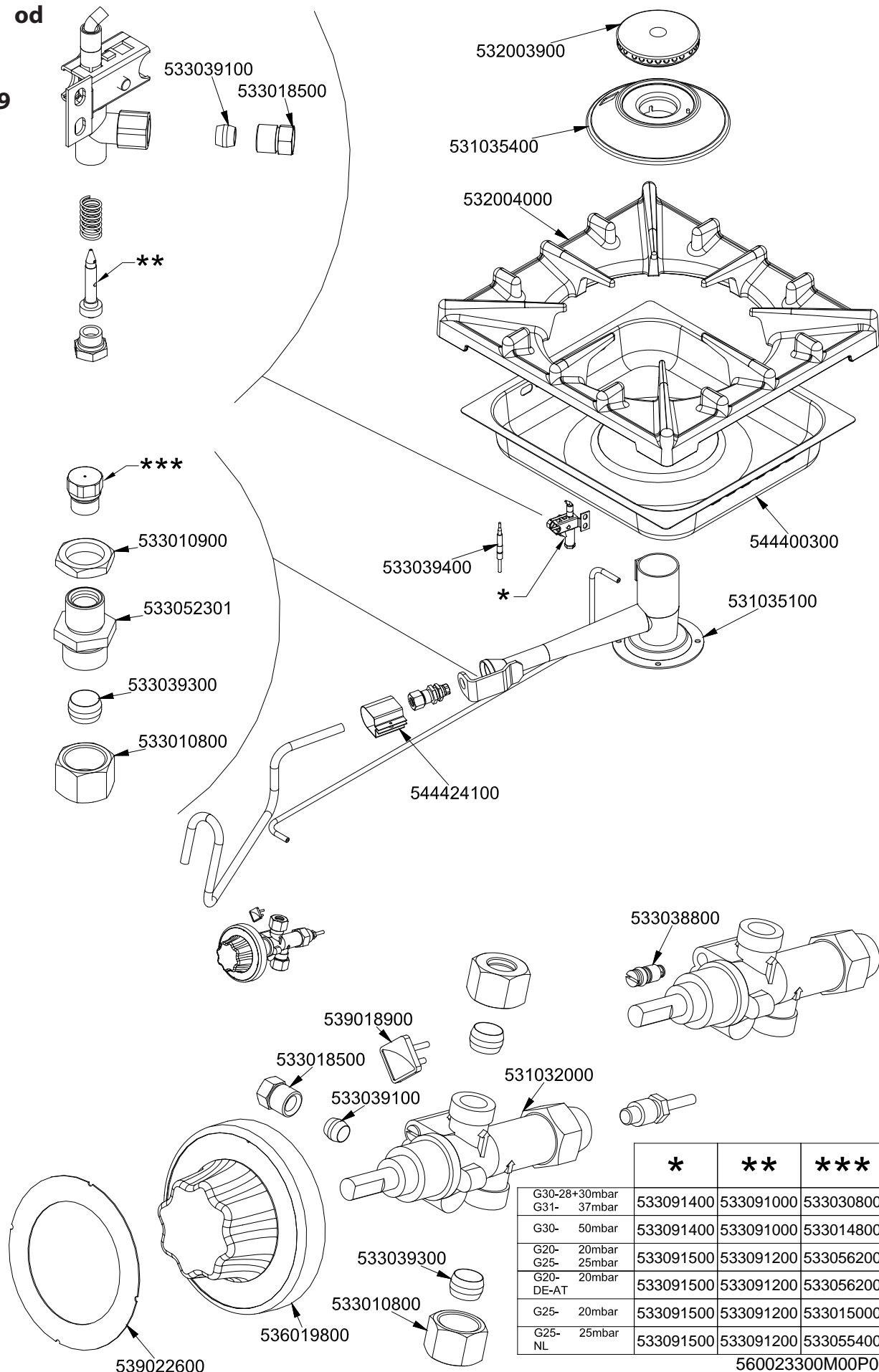


TP2 - 912 G  
 Platný od  
 1.5.2016  
 do 30.4.2019





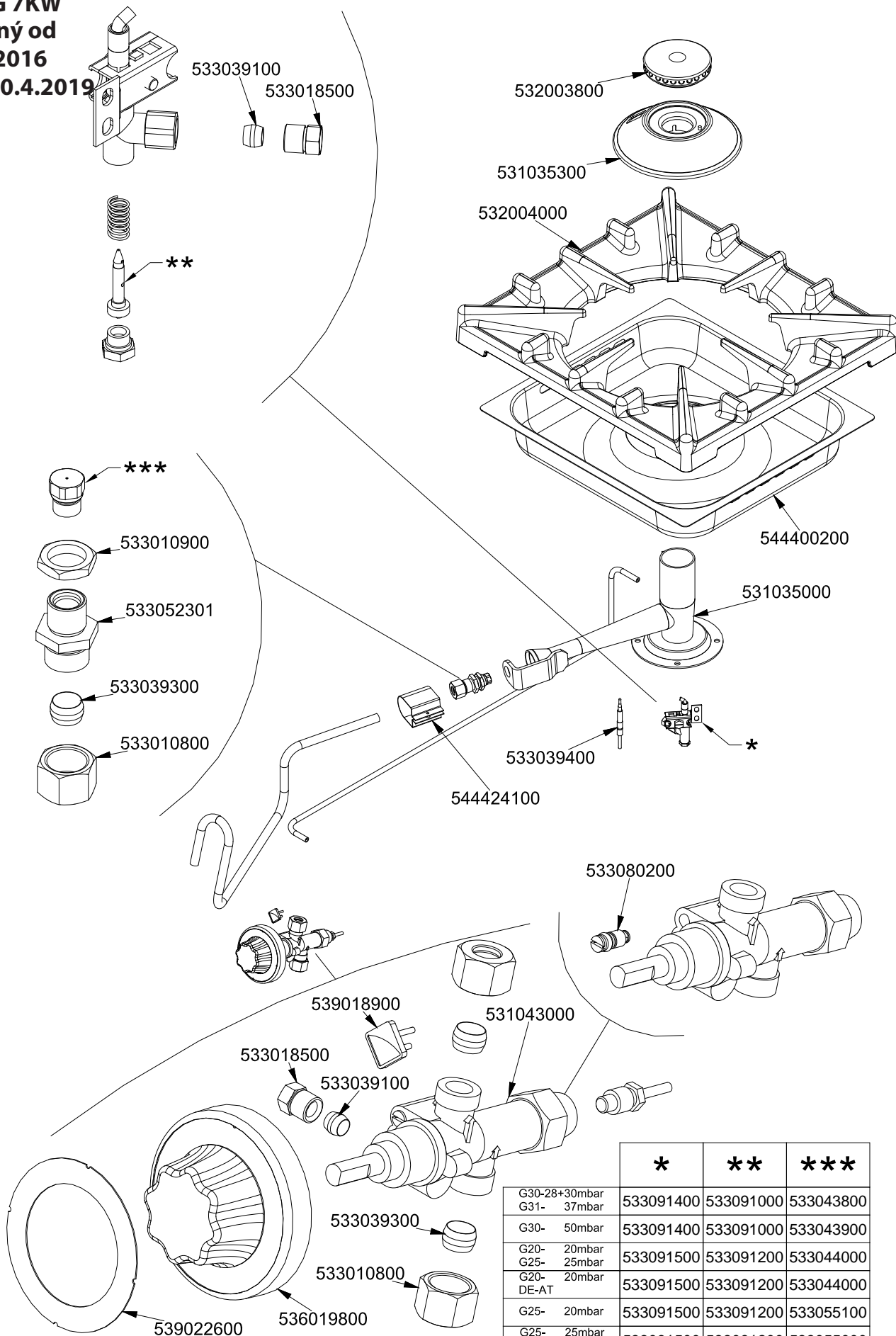
TP2 - 912 G  
PC-G 10KW  
Platný od  
1.5.2016  
do  
30.4.2019



	*	**	***
G30-28+30mbar G31- 37mbar	533091400	533091000	533030800
G30- 50mbar	533091400	533091000	533014800
G20- 20mbar G25- 25mbar	533091500	533091200	533056200
G20- 20mbar DE-AT	533091500	533091200	533056200
G25- 20mbar	533091500	533091200	533015000
G25- 25mbar NL	533091500	533091200	533055400



TP2 - 912 G  
PC-G 7KW  
Platný od  
1.5.2016  
do 30.4.2019



	*	**	***
G30-28+30mbar G31- 37mbar	533091400	533091000	533043800
G30- 50mbar	533091400	533091000	533043900
G20- 20mbar G25- 25mbar	533091500	533091200	533044000
G20- 20mbar DE-AT	533091500	533091200	533044000
G25- 20mbar	533091500	533091200	533055100
G25- 25mbar NL	533091500	533091200	533055000

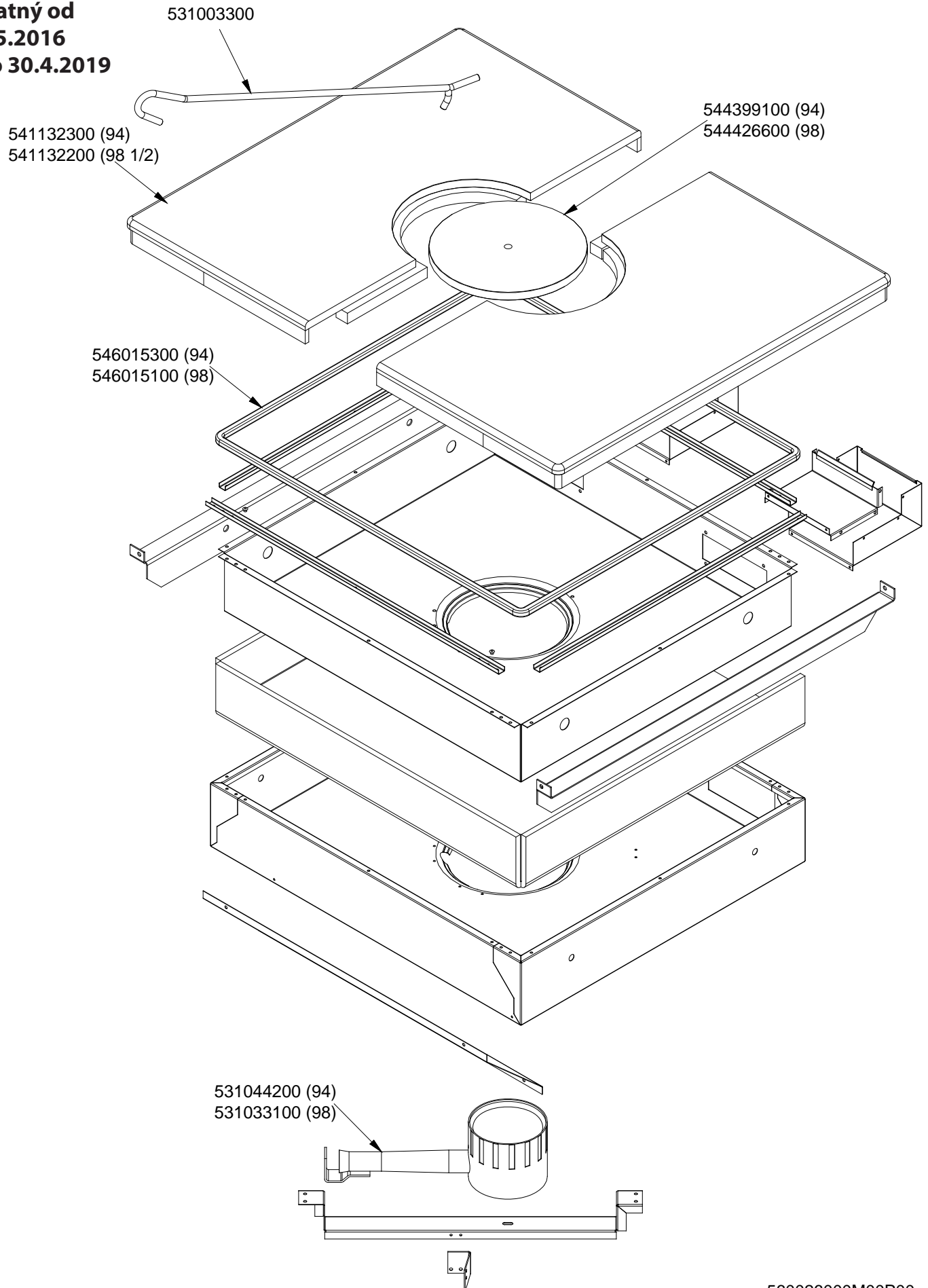
**TP2 - 912 G**

**(3)**

**Platný od**

**1.5.2016**

**do 30.4.2019**





**TP2 - 912 G**  
**Platný od**  
**1.5.2016**  
**do 30.4.2019**

	*	**	**
		TP-94	TP-98
G30-28+30mbar G31- 37mbar	533020500	533057700	533019600
G30- 50mbar	533020500	533057600	533046200
G20- 20mbar G25- 25mbar	533020600	533047400	533057500
G20- 20mbar DE-AT	533020600	533047400	533057500
G25- 20mbar	533020600	533047300	533032801
G25- 25mbar NL	533020600	533047500	533032001
G20- 25mbar	533020600	533046400	

