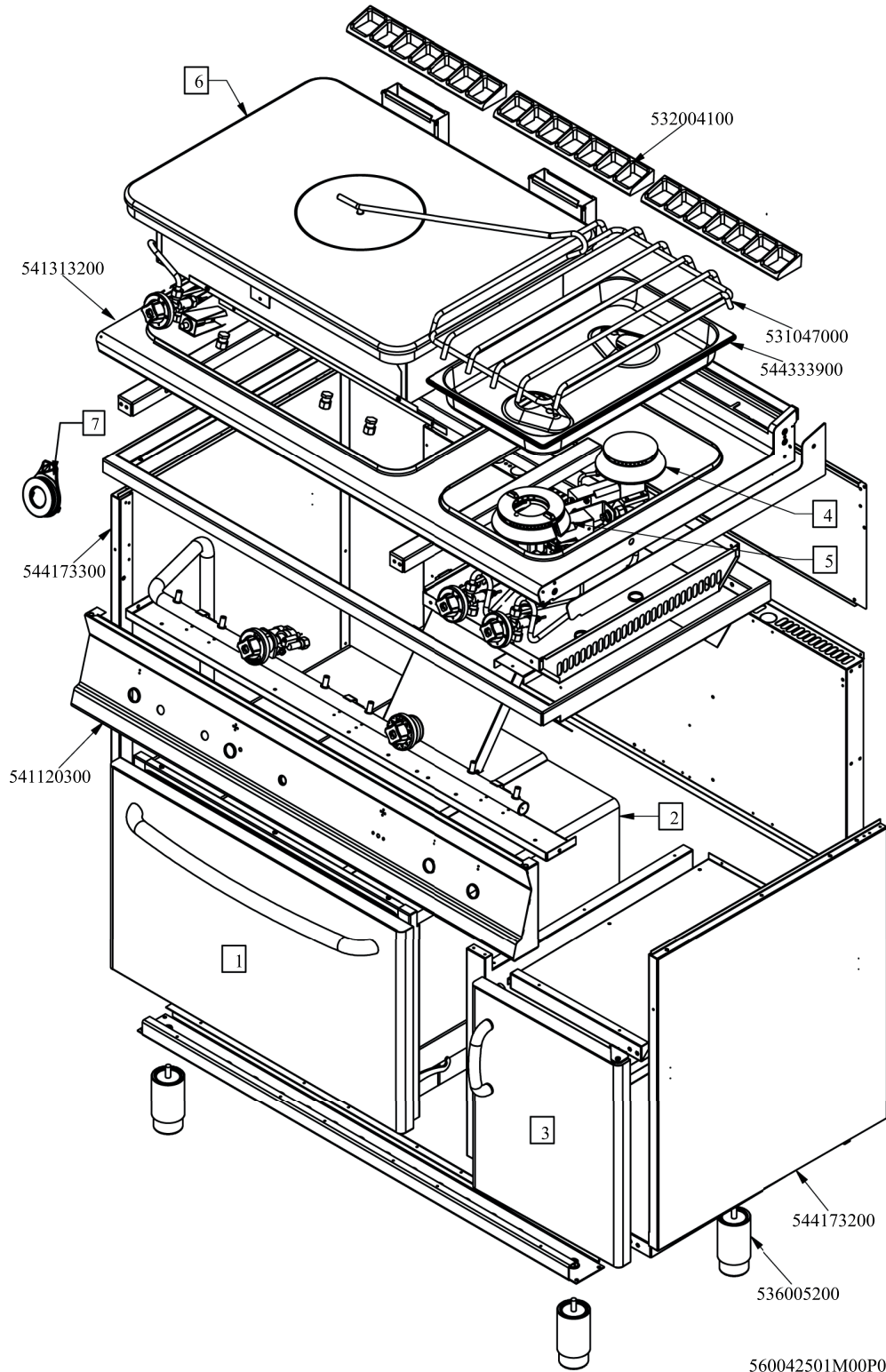
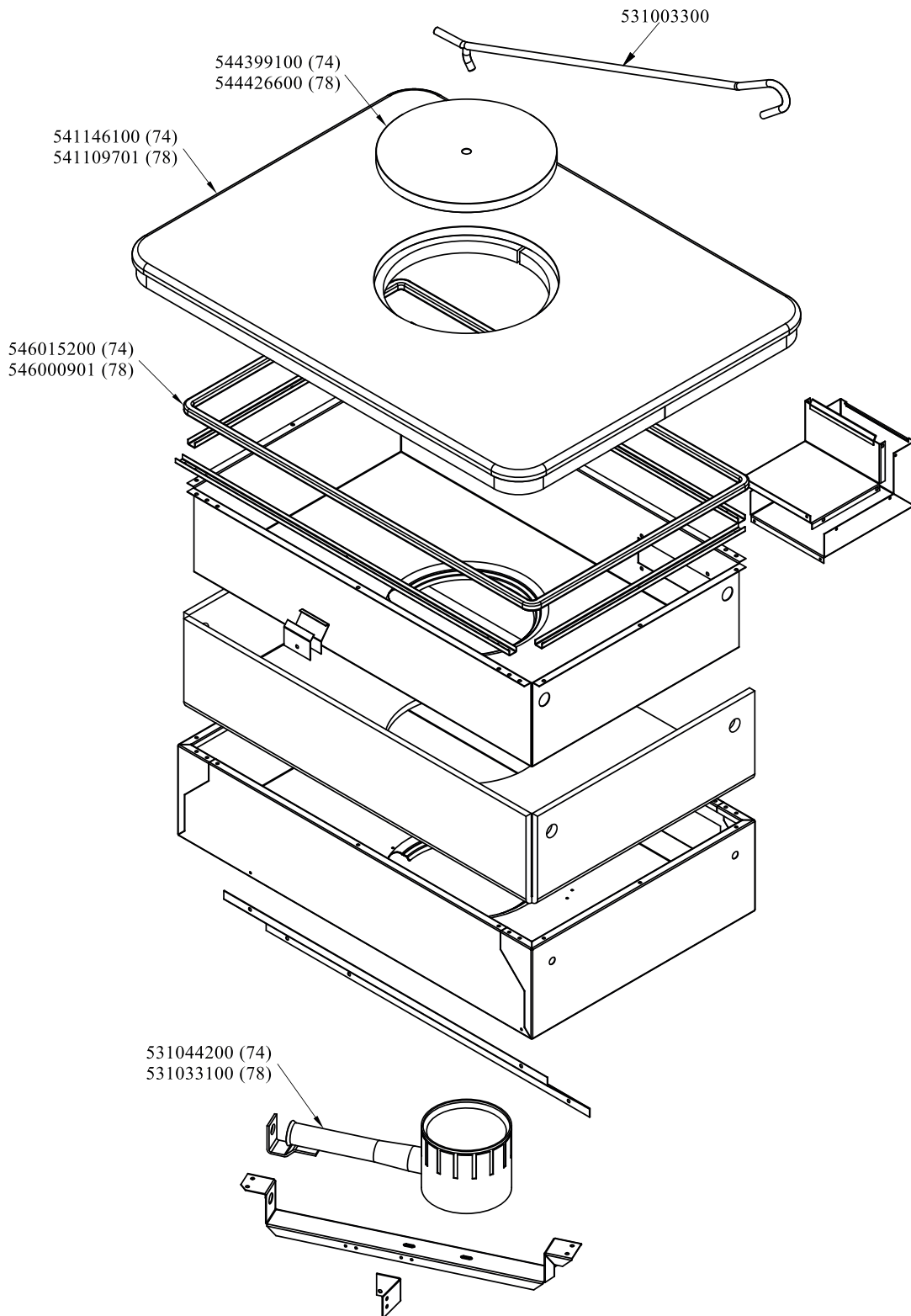


RM 700
 Platný od 1.5. 2019
 TPF2-712GPV

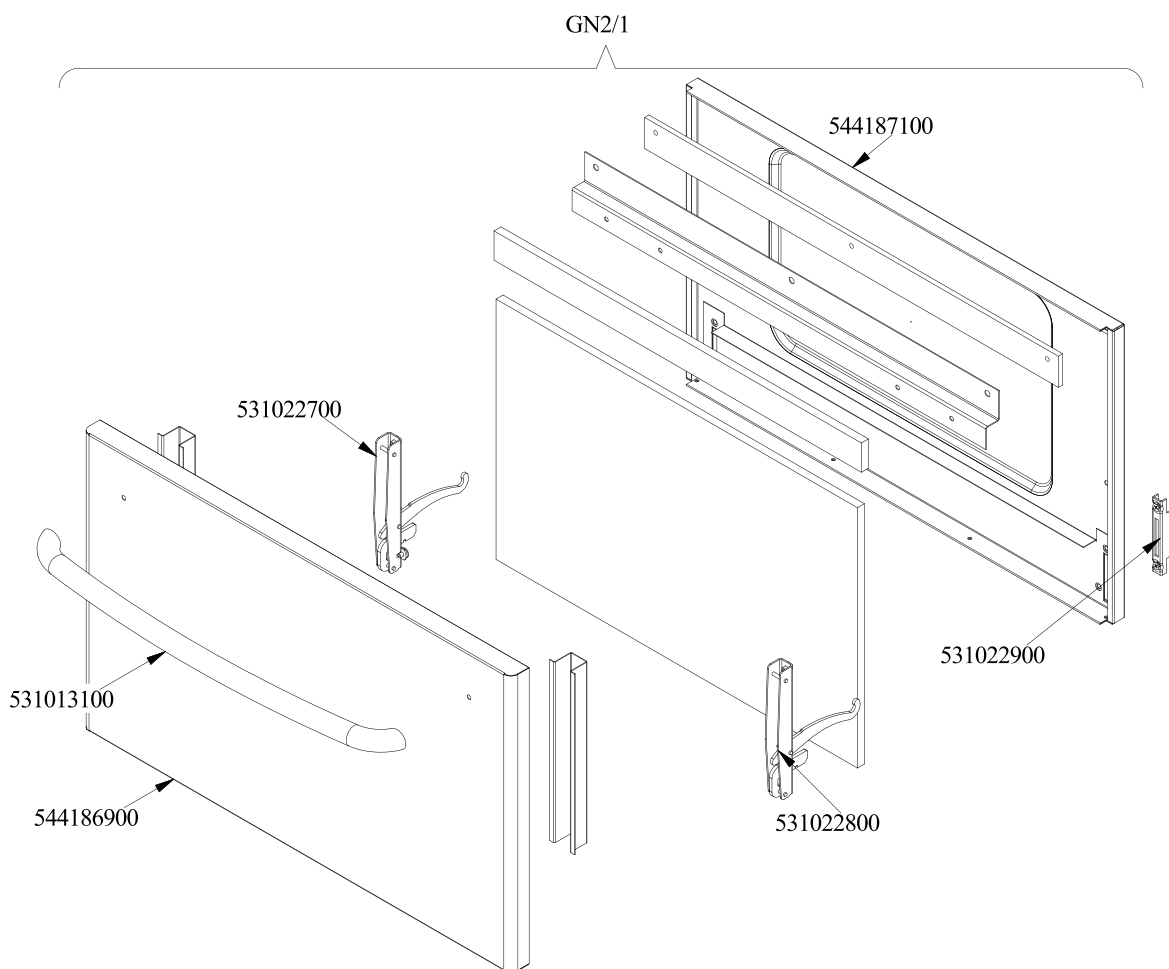


560042501M00P00





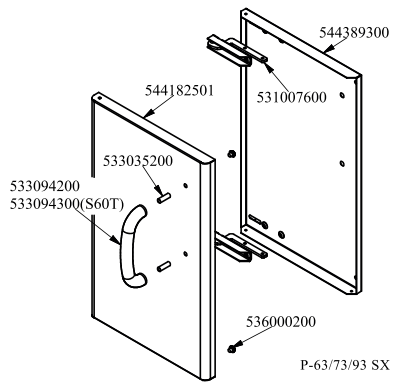
Objednací kód	Popis v ENG
531003300	TP-PLATE LIFTING HOOK
544399100	PLATE RING FOR TP-74G TP-94G
544426600	PLATE RING FOR TP-98G
541146100	PLATE TP-74G
541109701	UPPER PLATE TP-78G
546015200	SQUARE BRAID 12*12*L=1495
546000901	SQUARE BRAID OF INSULATING MATERIAL
531044200	CIRCULAR BURNER TP D.066
531033100	BURNER TP..-78G



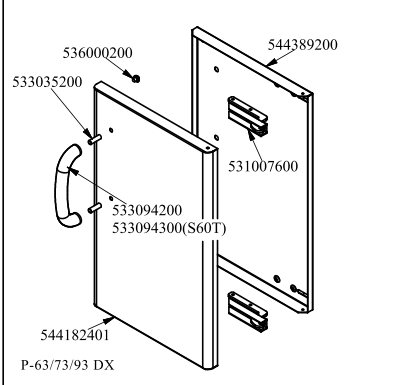
560099800M01P00



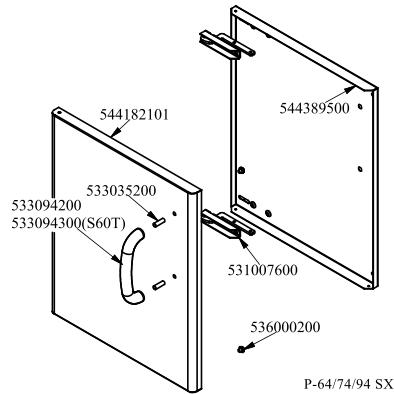
Objednací kód	Popis v ENG
_GN2/1	PROCESSING CODE
544187100	OVEN INNER DOOR GN 2/1 70/90LINE
531022800	531022800N DOOR HINGE S.70
531013100	OVEN DOOR HANDLE OF 70/90-LINE
544186900	OVEN DOOR GN 2/1 70/90LINES
531022700	LEFT OVEN DOOR HINGE 70LINE
531022900	HINGE ROLLER HOLDER FOR 700-OVEN
GN3/1	PROCESSING CODE
541102300	GAS OVEN INNER DOOR GN 3/1 S.70
531022800	531022800N DOOR HINGE S.70
531013100	OVEN DOOR HANDLE OF 70/90-LINE
544187000	OVEN DOOR GN 3/1 S.70
531022700	LEFT OVEN DOOR HINGE 70LINE
531022900	HINGE ROLLER HOLDER FOR 700-OVEN



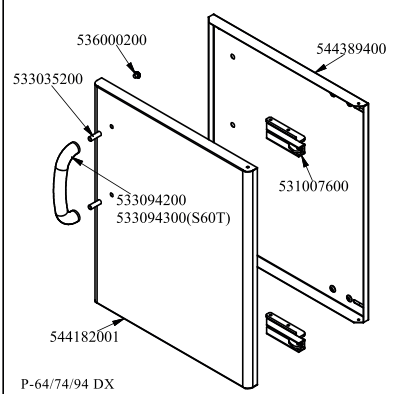
P-63/73/93 SX



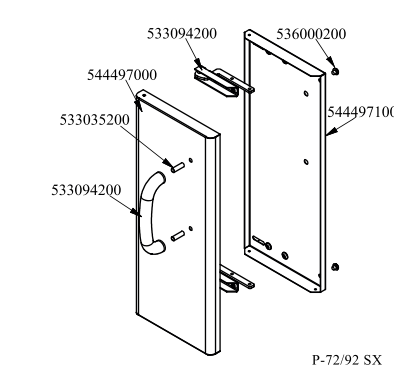
P-63/73/93 DX



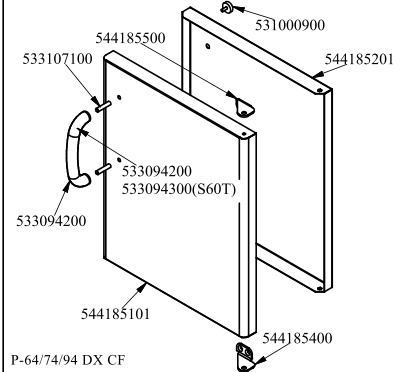
P-64/74/94 SX



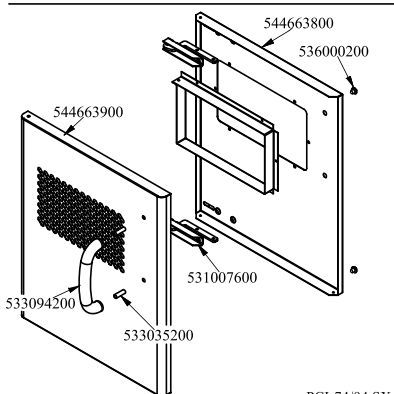
P-64/74/94 DX



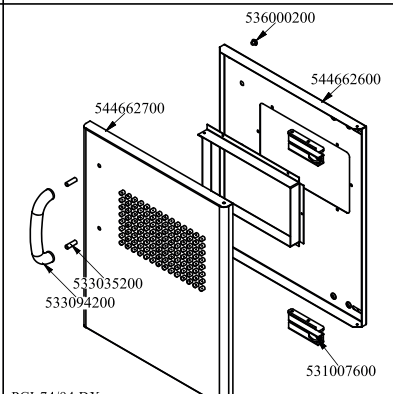
P-72/92 SX



P-64/74/94 DX CF



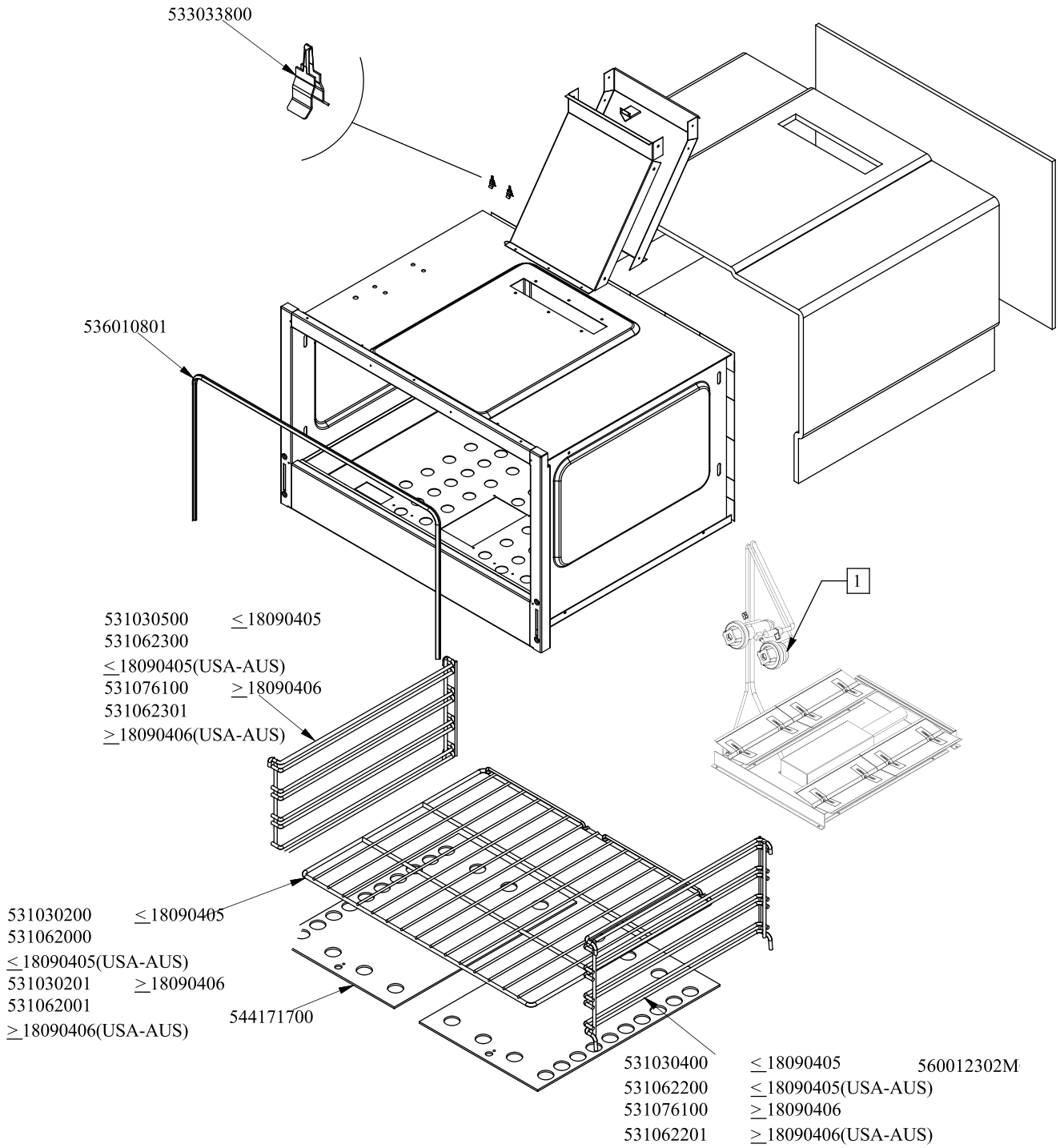
PCI-74/94 SX



PCI-74/94 DX

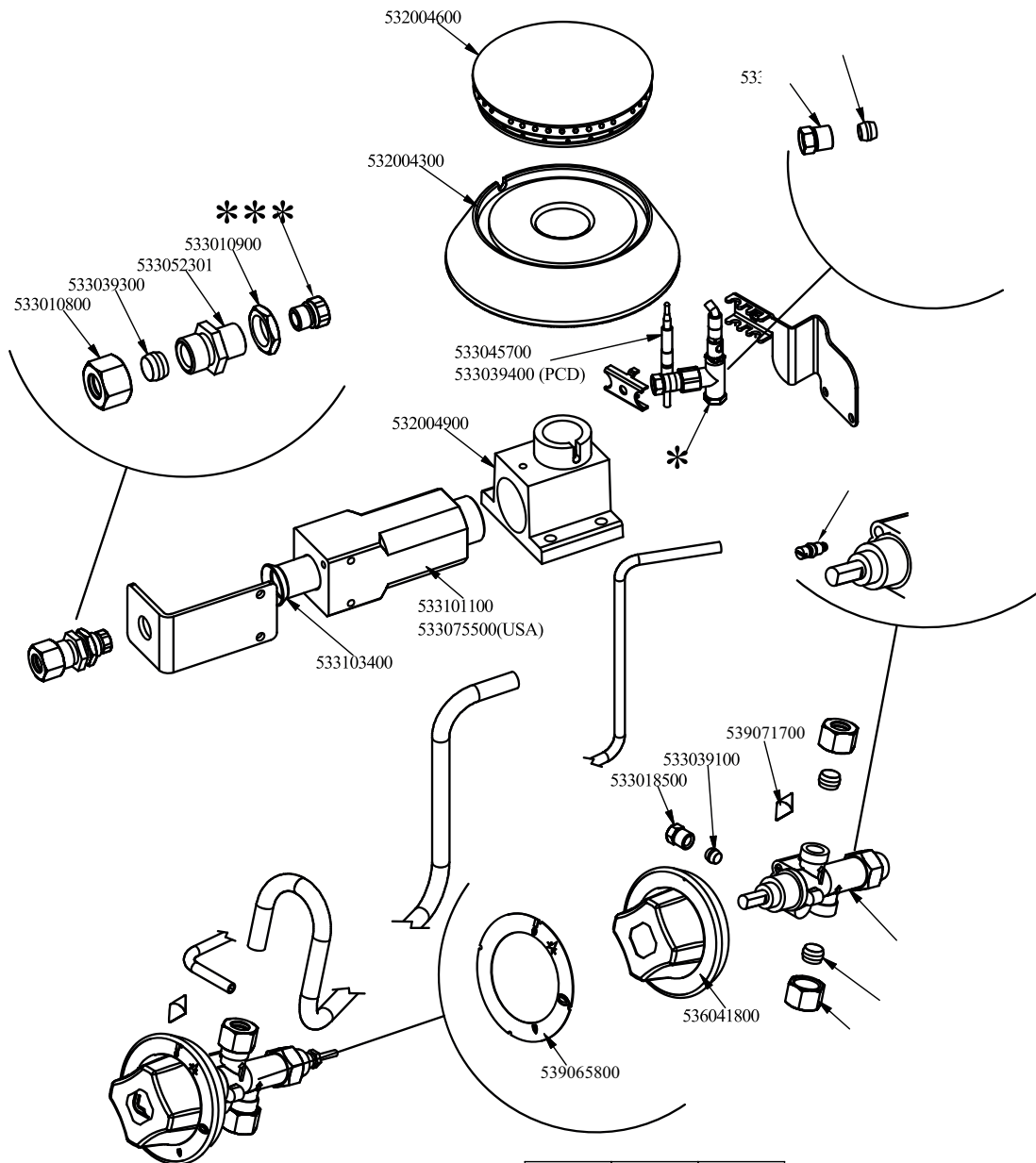


Objednačí kód	Popis v ENG
544185101	RIGHT DOOR 74 CF
533107100	HANDLE SPACER OF CF-70
533094200	S/S HANDLE FOR 70/90 SERIES
544185400	LOWER DOOR HINGE FOR COMPARTME CF70
544185500	UPPER DOOR HINGE FOR COMPARTME CF70
544185201	INNER DOOR * 74DX
531000900	MAGNET §22 KG.3 WITH DISK
536000200	D.12 H.4 BUMPER
544182001	RIGHT DOOR 74
531007600	DOOR HINGE
544389400	
533035200	HANDLE SPACER
544182101	LEFT DOOR 74
544389500	INNER-DOOR OF LHD 74
544182401	RIGHT DOOR 73
544389200	
544389300	
544182501	LEFT DOOR 73
544497000	
544497100	
544663900	LHD 74 DOOR FOR PCI
544663800	74 LHD OVEN INNER DOOR FOUR PCI
544662700	DOOR 74 DX PCI
544662600	
533094300	S/S HANDLE FOR 600T.LINE





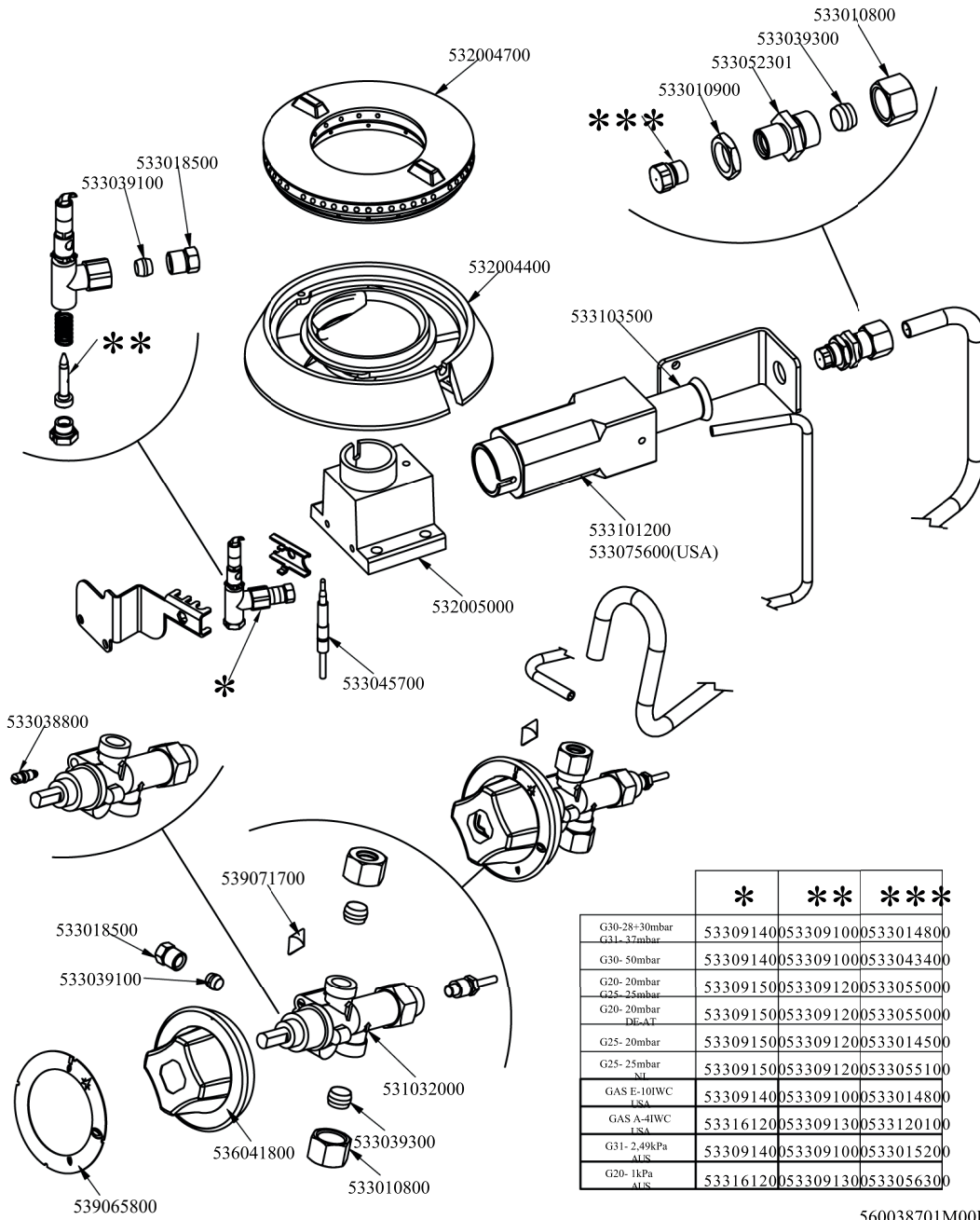
Objednací kód	Popis v ENG
544171700	BOTTOM FOR GAS OVEN GN2/1 700LINE
536010801	OVEN GASKET GN 2/1 (1308)
531030200	OVEN GRID GN 2/1 FOR 70 LINE
531062000	OVEN GRID GN 2/1 FOR 70 LINE
531030201	GRID FOR OVEN GN2/1 70L
531062001	
531030500	LHD SUPPORT GRID FOR OVEN OF 70LINE
531062300	LHD SUPPORT GRID FOR OVEN OF 70LINE
531076100	
531062301	
531030400	RHD SUPPORT GRID FOR OVEN OF 70LINE
531062200	RHD SUPPORT GRID FOR OVEN OF 70LINE
531062201	



	*	**	**
G30-28+30mbar G31-37mbar	533091400	533091000	533043900
G30-50mbar	533091400	533091000	533019300
G20-20mbar G25-25mbar	533091500	533091200	533031000
G20-20mbar DE-AT	533091500	533091200	533031000
G25-20mbar	533091500	533091200	533043500
G25-25mbar NL	533091500	533091200	533019400
GAS E-10IWC USA	533091400	533091000	533043200
GAS A-4IWC USA	533161200	533091300	533043100
G31-2,49kPa AUS	533091400	533091000	533043900
G20-1kPa AUS	533161200	533091300	533043500



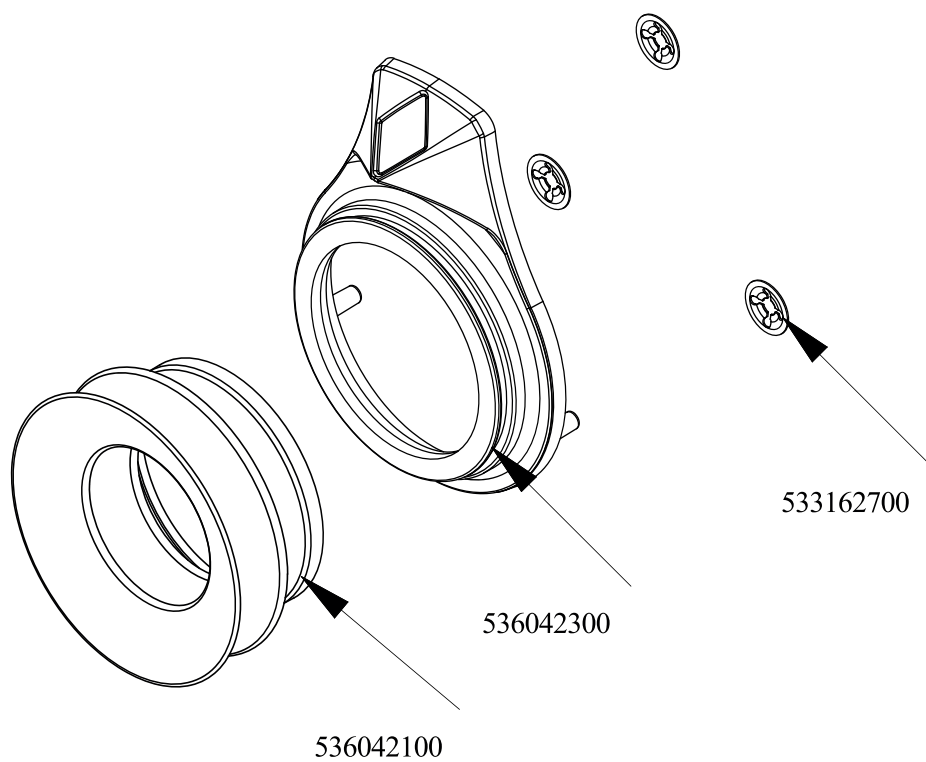
Objednačí kód	Popis v ENG
533069100	BY PASS COCK §60 20S
533103400	AIR ADJUSTMENT BUSHING D20 EST.H57
533018500	FITTING FOR BICONE D.6 M10*1
533039100	BICONE §6
539071700	ADHES.LABEL FOR RING GREEN SIGN.
533010800	TUBE NUT D.10 M16*1,5
533039300	BICONE §10
533052301	JOINT FOR NOZZLE HOLDER
533010900	NUT M14*1 H.4
532004600	BURNER COVER RING R D104
532004300	MIDDLE BURNER BODY 70LINE P.
532004900	ELBOW FITTING OF BURNER VENTURI R
531042900	B.PASS §60 SAFETY COCK PC/CF 90
536041800	SILVER CHROM. KNOB Ø77 4P.G.Ø08X6,5
533045700	THERMOCOUPLE M9*1 500
533039400	THERMOCOUPLE M9*1*850
539065800	BLACK STICKING DISK 72
533101100	BURNER VENTURI R
533075500	BURNER VENTURI 5,5KW S70 USA
533091400	P.NOZZLE S100 UG.§20 PC90 LPG-FLUS
533091500	PILOT NOZZLE S.100 §30 PC90 NAT.GAS
533161200	
533091000	NOZZLE 0.100 §20
533091200	PILOT NOZZLE 0100 Ø35 PIL.PC
533091300	PILOT NOZZLE 0100 Ø40 PIL.PC
533043900	NOZZLE §115 CH12*14 F-CW4
533019300	NOZZLE §100 G-FQ5 F-CW
533031000	NOZZLE §175 CH12X14
533043500	NOZZLE §190 CH12*14 G25 PC4R
533019400	NOZZLE §180 CH12*14 L-FQ5
533043200	NOZZLE §110 G30 (LPG) CH12X14
533043100	NOZZLE §185 G25 CH12X14



560038701M00P00



Objednací kód	Popis v ENG
533010900	NUT M14*1 H.4
533052301	JOINT FOR NOZZLE HOLDER
533039300	BICONE §10
533010800	TUBE NUT D.10 M16*1,5
532004400	BIG BURNER BODY 70LINE P.
532004700	BURNER COVER RING UR D128
533103500	AIR ADJUSTMENT BUSHING D22 EST.H57
532005000	ELBOW FITTING OF BURNER VENTURI UR
533039100	BICONE §6
533018500	FITTING FOR BICONE D.6 M10*1
533038800	75 BY-PASS FOR 21S TAP
533045700	THERMOCOUPLE M9*1 500
531032000	GAS COCK P.V.BY-PASS Ø075
539071700	ADHES.LABEL FOR RING GREEN SIGN.
536041800	SILVER CHROM. KNOB Ø77 4P.G.Ø08X6,5
539065800	BLACK STICKING DISK 72
533101200	BURNER VENTURI UR
533075600	BURNER VENTURI 7,5KW S70 USA
533091400	P.NOZZLE S100 UG.§20 PC90 LPG-FLUS
533091500	PILOT NOZZLE S.100 §30 PC90 NAT.GAS
533161200	
533091000	NOZZLE 0.100 §20
533091200	PILOT NOZZLE 0100 Ø35 PIL.PC
533091300	PILOT NOZZLE 0100 Ø40 PIL.PC
533014800	NOZZLE §135 CH12*14,0
533043400	NOZZLE §117 CH12*14 G-PC4 UR
533055000	NOZZLE §205 CH12*14 G25 CW4
533014500	NOZZLE §225 CH12*14 OVEN GN 2/1
533055100	NOZZLE §215 CH12*14 L-CW4
533120100	NOZZLE §210 CH12*14,0
533015200	NOZZLE §145 CH12*14 F-FP/CP6
533056300	NOZZLE §240 CH12*14



560125700M00P00



Objednačí kód	Popis v ENG
536042300	SILVER CHROM. RING FOR KNOB Ø77 4 P
536042100	SEAL CASING FOR KNOB Ø77 4 P
533162700	PROCESSING CODE

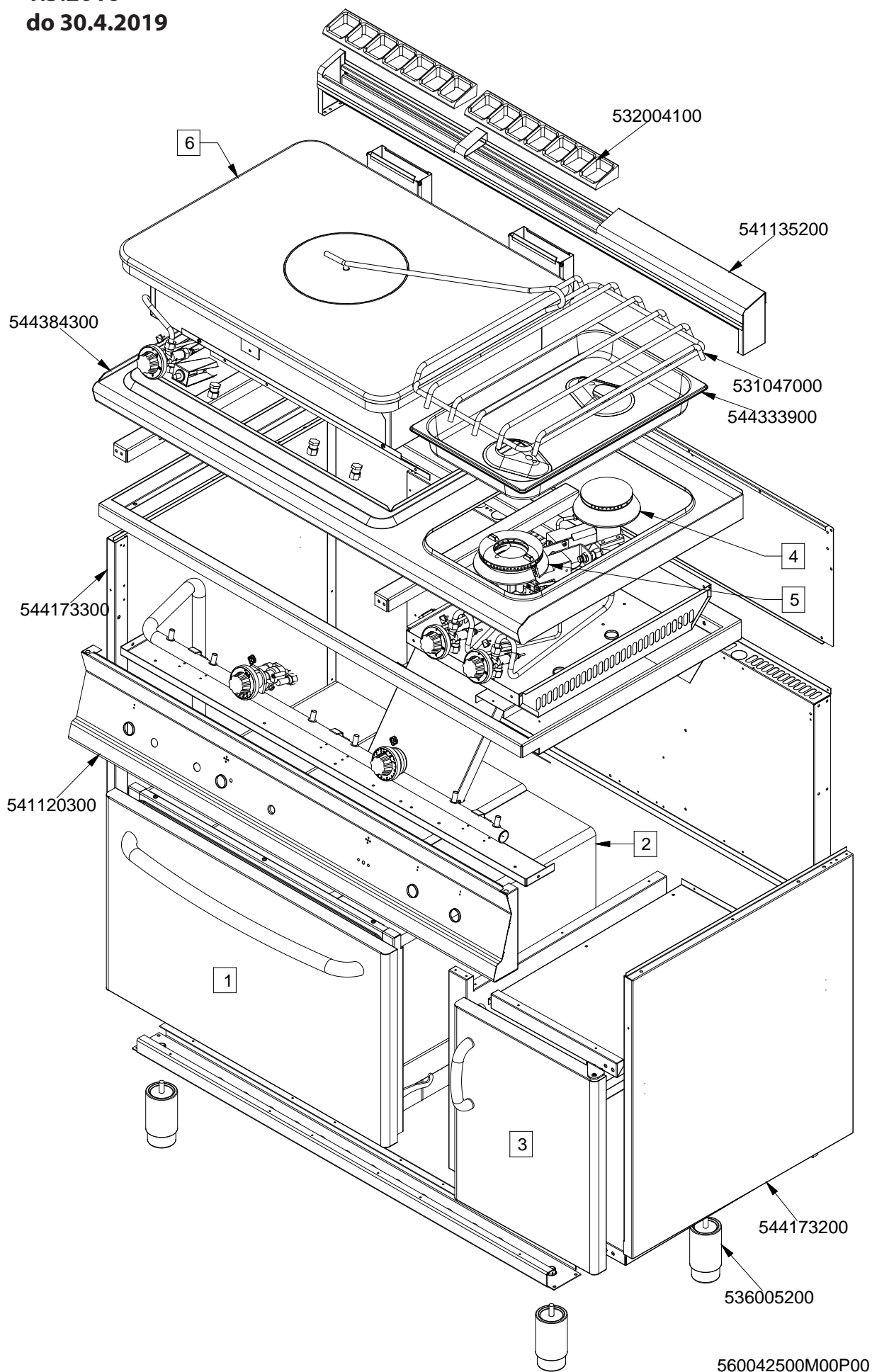


TPF2 - 712 GPV

Platný od

1.5.2016

do 30.4.2019



TPF2 - 712 GPV

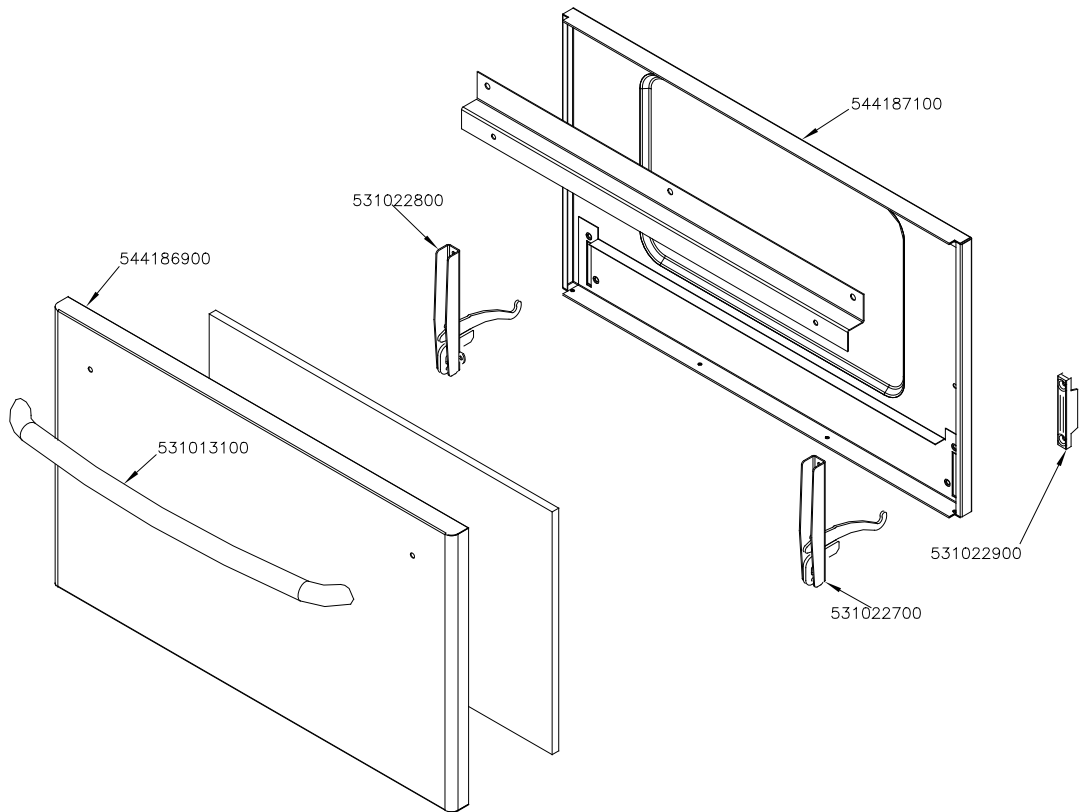
(1)

Platný od

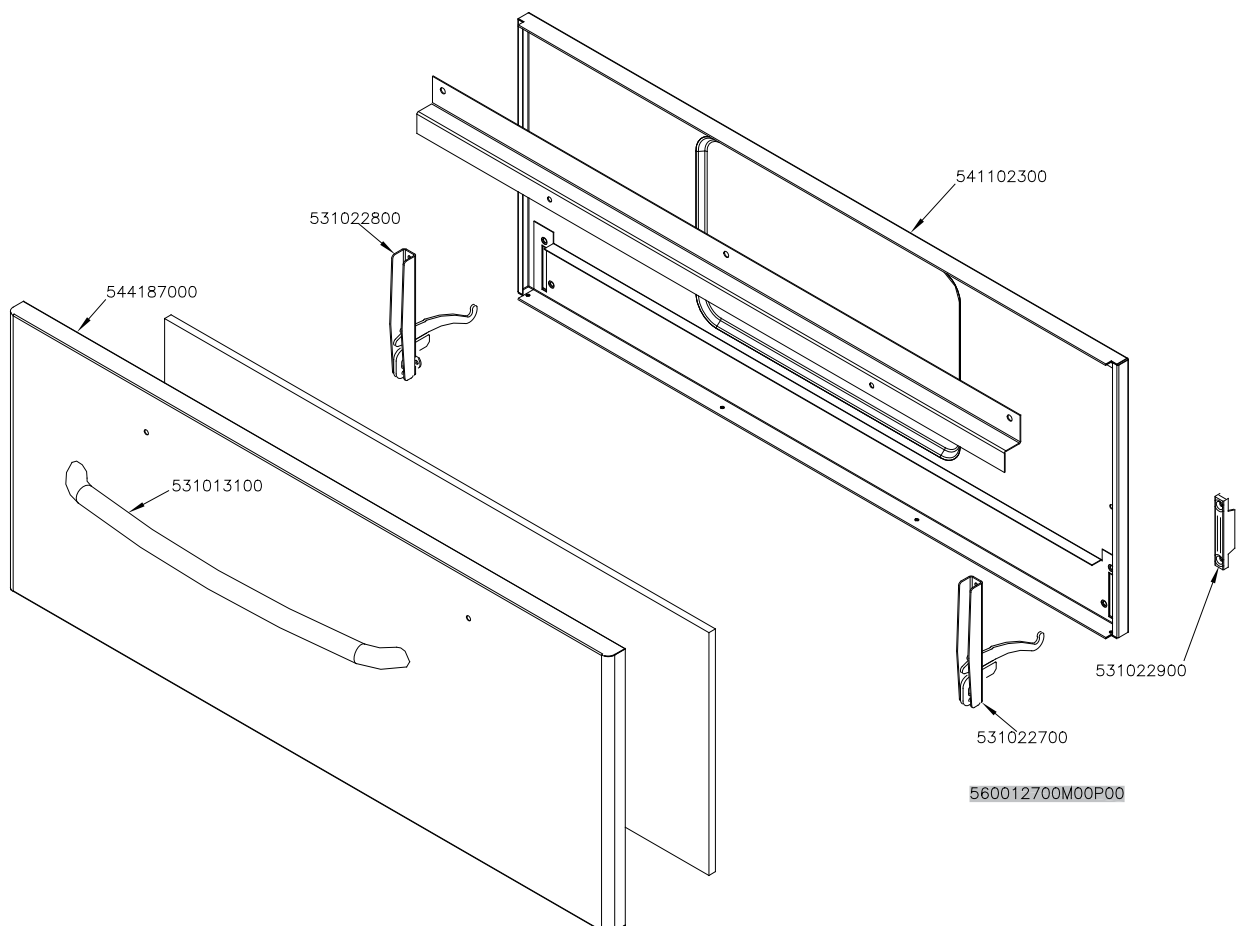
1.5.2016

do 30.4.2019

GN 2/1



GN 3/1



TPF2 - 712 GPV

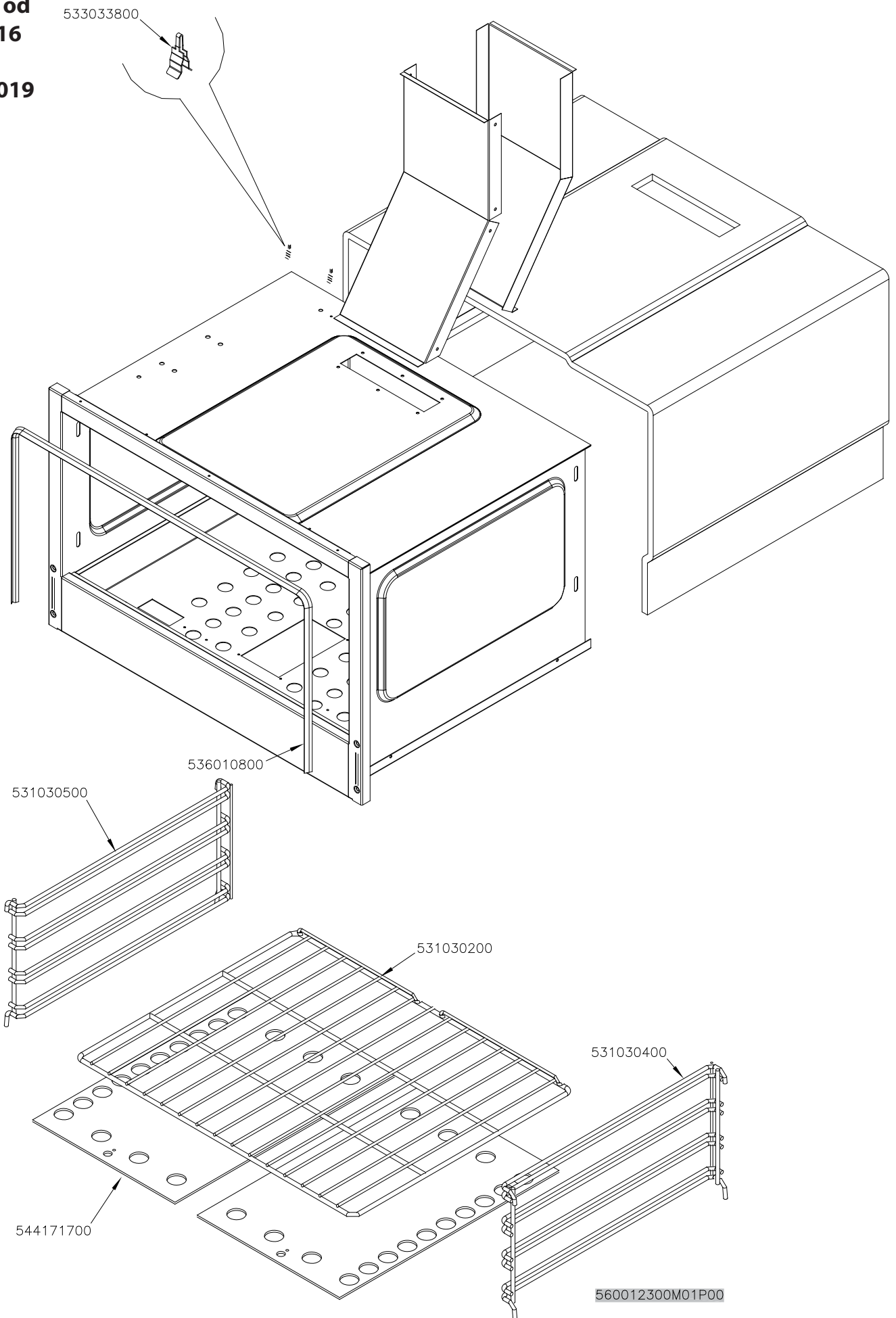
(2)

Platný od

1.5.2016

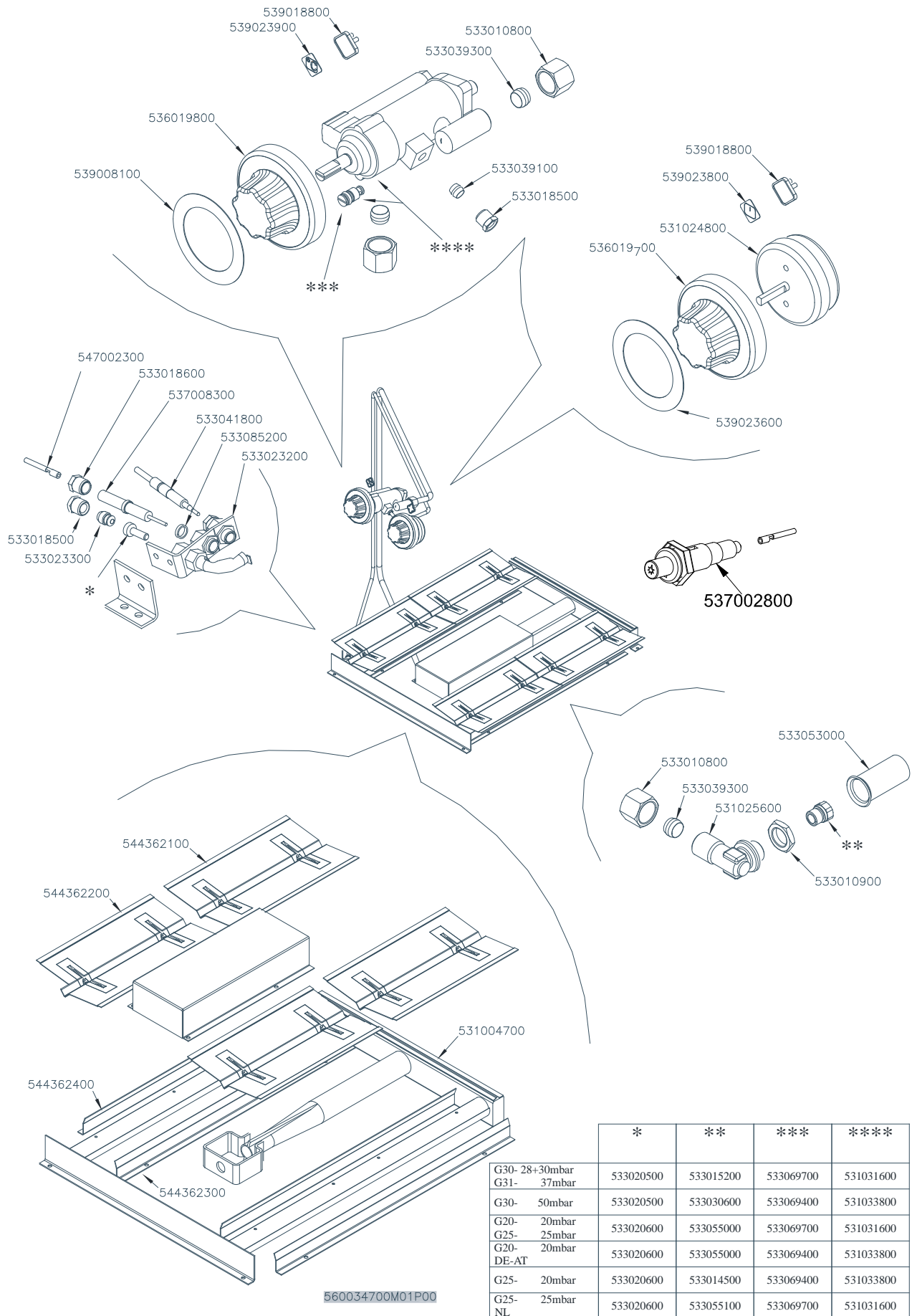
do

30.4.2019





TPF2 - 712 GPV
Platný od
1.5.2016
do 30.4.2019



	*	**	***	****
G30- 28+30mbar	533020500	533015200	533069700	531031600
G31- 37mbar	533020500	533030600	533069400	531033800
G30- 50mbar	533020500	533055000	533069700	531031600
G20- 20mbar	533020600	533055000	533069400	531033800
G25- 25mbar	533020600	533014500	533069400	531033800
G20- DE-AT	533020600	533055100	533069700	531031600
G25- 20mbar	533020600			
G25- 25mbar	533020600			
NL				



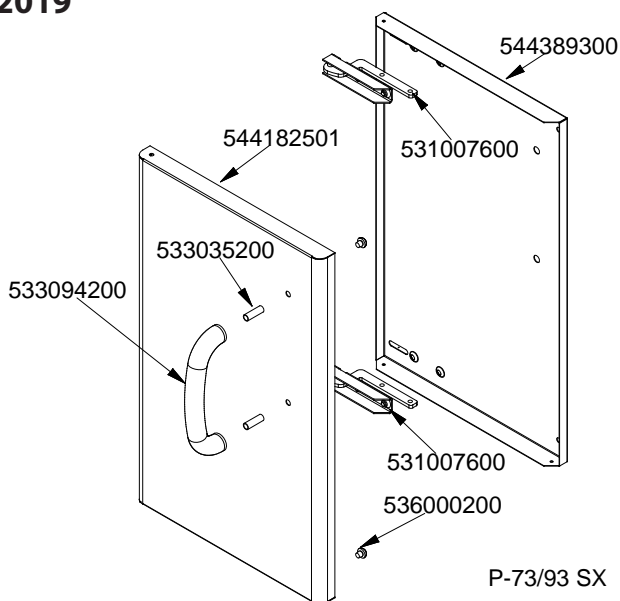
TPF2 - 712 GPV

(3)

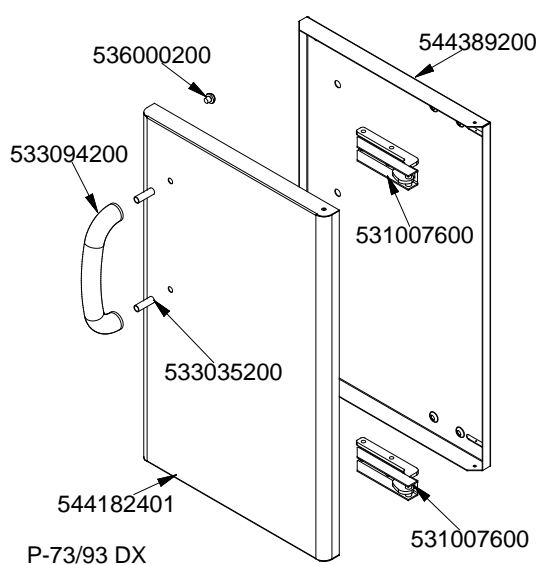
Platný od

1.5.2016

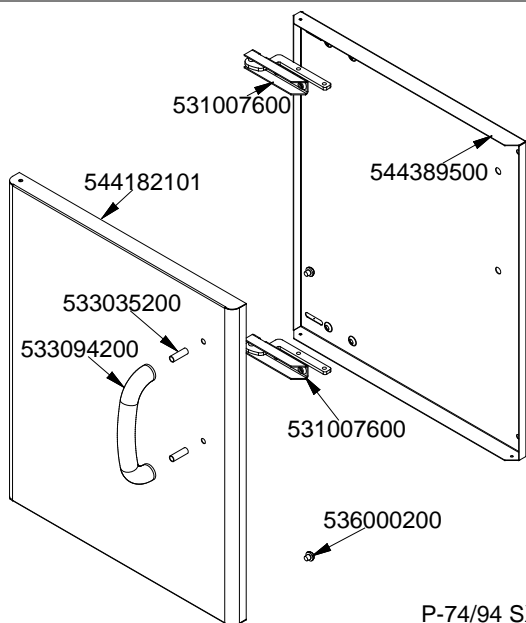
do 30.4.2019



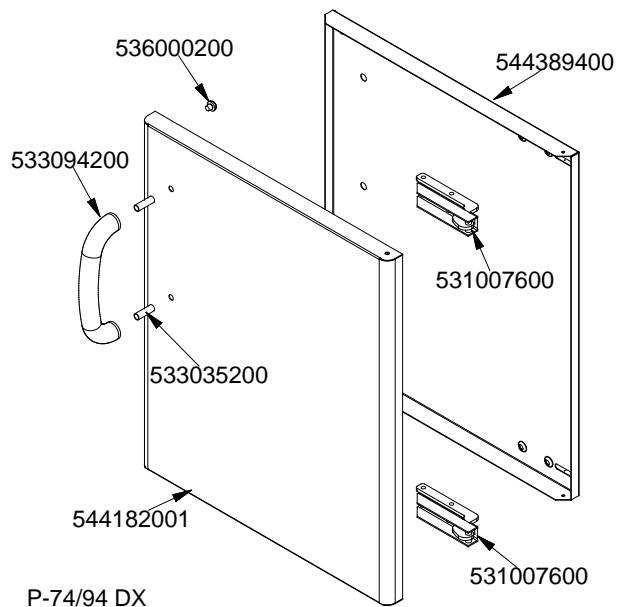
P-73/93 SX



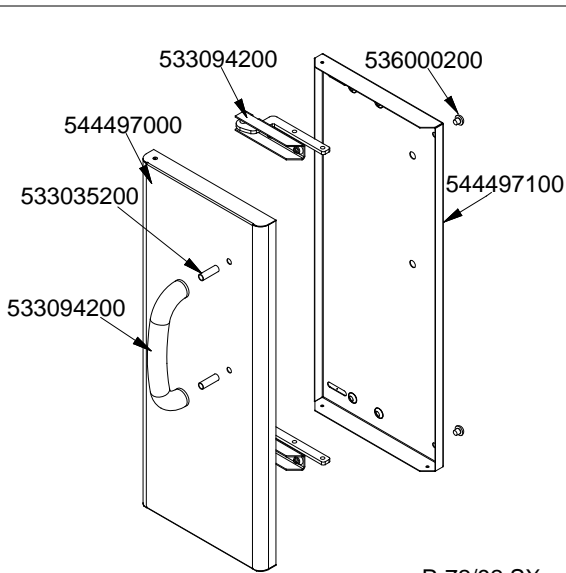
P-73/93 DX



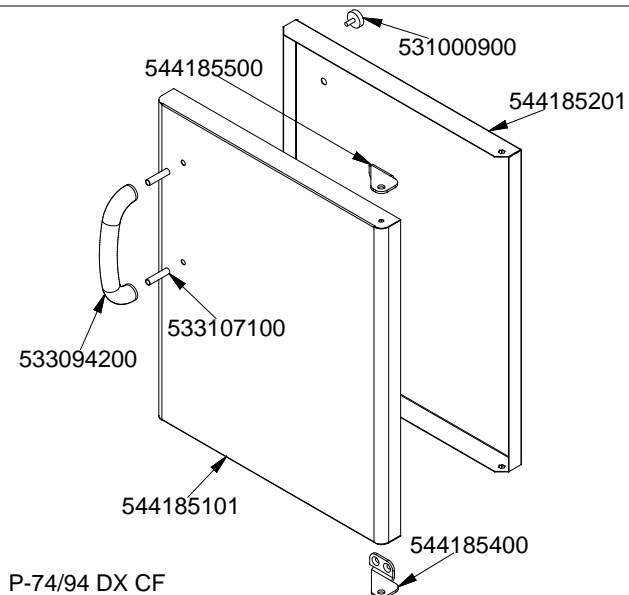
P-74/94 SX



P-74/94 DX



P-72/92 SX

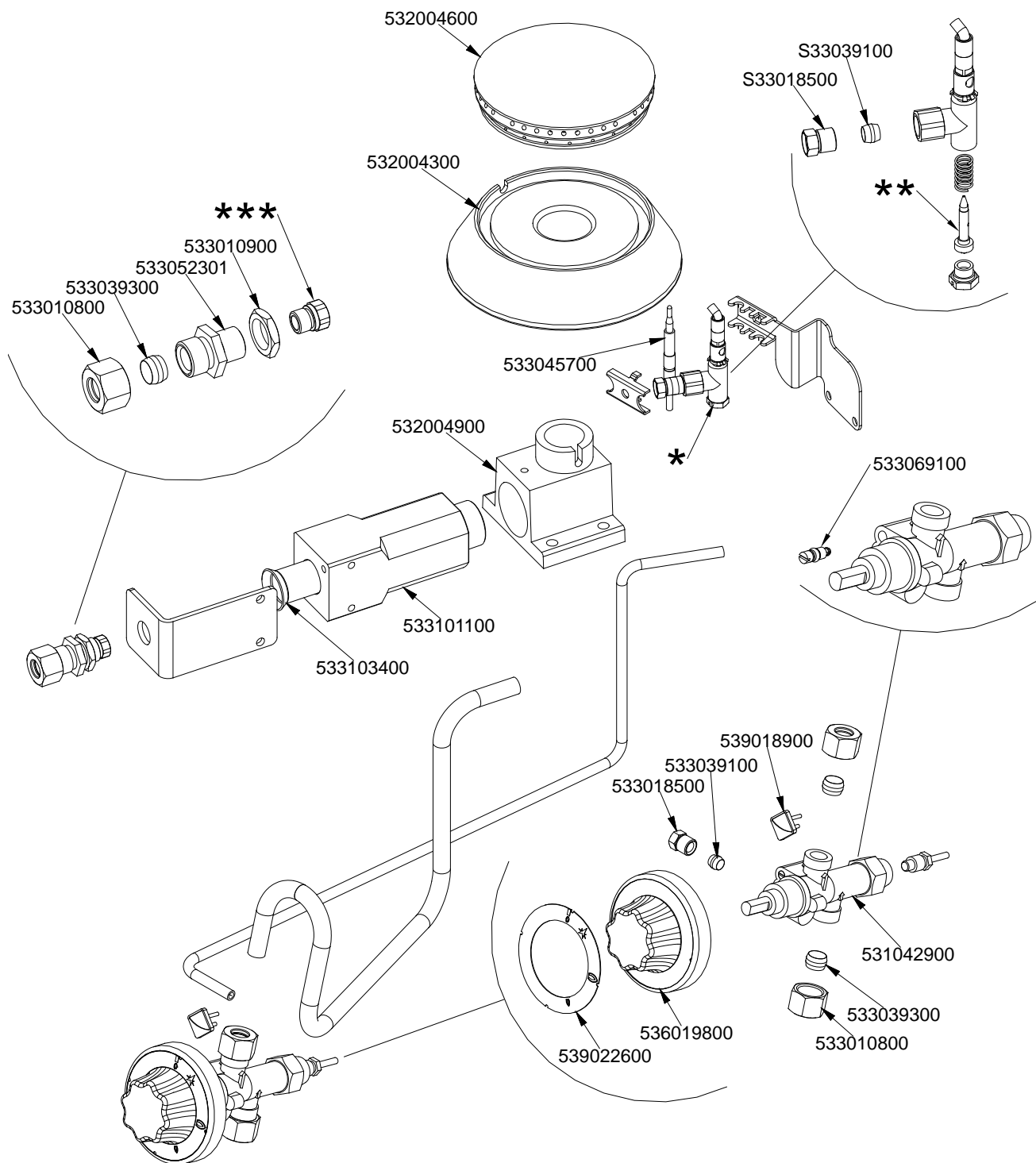


P-74/94 DX CF

560012801M00P00



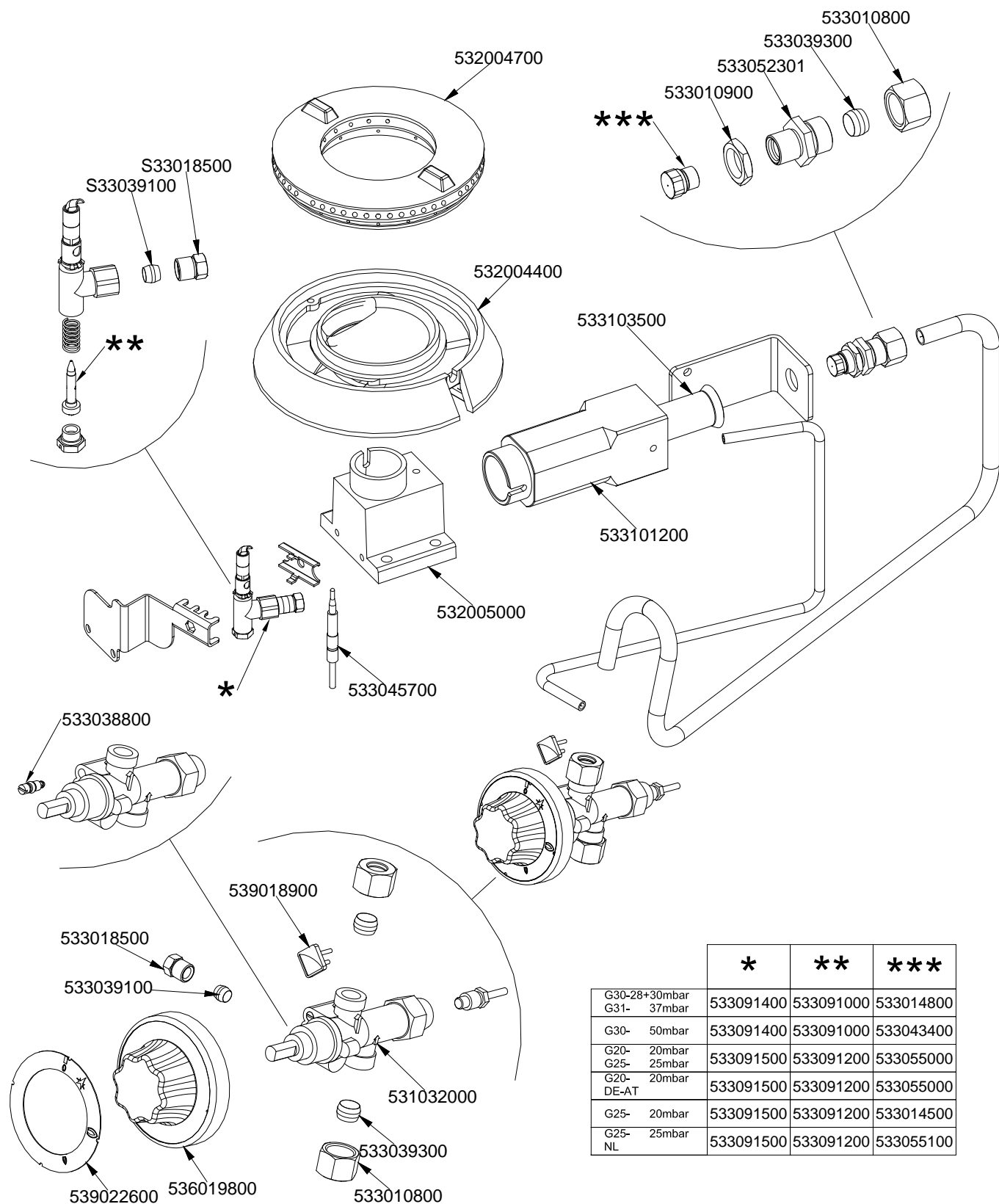
TPF2 - 712 GPV
 PC-G R
 (4)
 Platný od
 1.5.2016
 do 30.4.2019



	*	**	***
G30-28+30mbar G31- 37mbar	533091400	533091000	533043900
G30- 50mbar	533091400	533091000	533019300
G20- 20mbar G25- 25mbar	533091500	533091200	533031000
G20- 20mbar DE-AT	533091500	533091200	533031000
G25- 20mbar	533091500	533091200	533043500
G25- 25mbar NL	533091500	533091200	533019400



TPF2 - 712 GPV
 PC-G UR
 (5)
 Platný od
 1.5.2016
 do 30.4.2019



	*	**	***
G30-28+30mbar G31- 37mbar	533091400	533091000	533014800
G30- 50mbar	533091400	533091000	533043400
G20- 20mbar G25- 25mbar	533091500	533091200	533055000
G20- 20mbar DE-AT	533091500	533091200	533055000
G25- 20mbar	533091500	533091200	533014500
G25- 25mbar NL	533091500	533091200	533055100

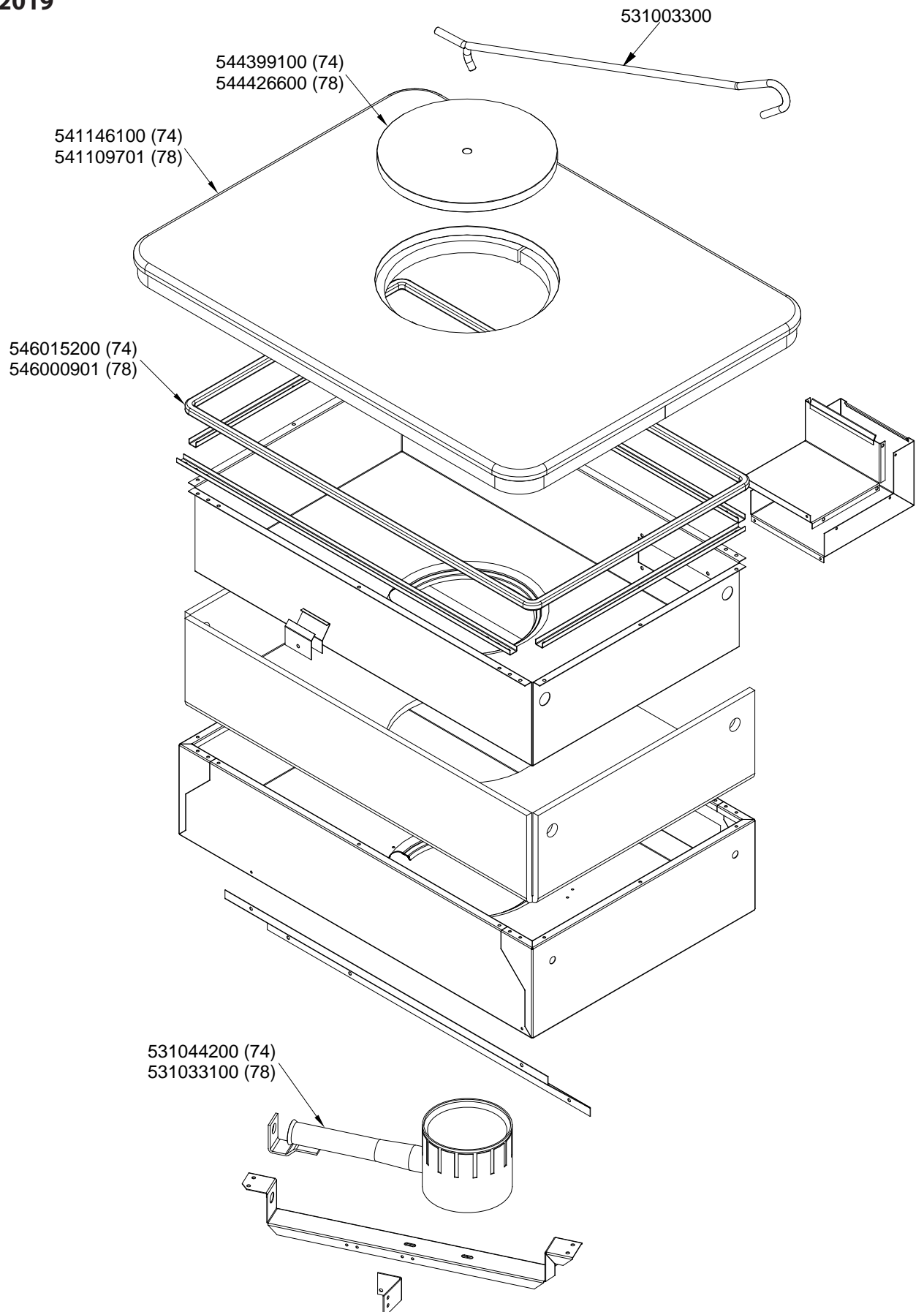
TPF2 - 712 GPV

(6)

Platný od

1.5.2016

do 30.4.2019





TPF2 - 712 GPV

(6)

Platný od

1.5.2016

do 30.4.2019

