

# Technical data sheet

Product features



## Cooking range electric with static oven

|              |                 |          |
|--------------|-----------------|----------|
| <b>Model</b> | <b>SAP Code</b> | 00008578 |
|--------------|-----------------|----------|



- Device type: Electric unit
- Power consumption of the zone 1 [kW]: 2,6
- Power consumption of the zone 2 [kW]: 2,6
- Power consumption of the zone 3 [kW]: 2,6
- Power consumption of the zone 4 [kW]: 2,6
- Type of internal part of the appliance 1 (eg oven): Electric
- Type of internal part of the appliance 2 (eg oven): Static
- Protection of controls: IP24
- Material: AISI 304 top plate and cladding

|                            |                    |   |          |
|----------------------------|--------------------|---|----------|
| <b>SAP Code</b>            | 00008578           | <b>Number of zones</b>                                    | 4        |
| <b>Net Width [mm]</b>      | 800                | <b>Power consumption of the zone 1 [kW]</b>               | 2,6      |
| <b>Net Depth [mm]</b>      | 730                | <b>Power consumption of the zone 2 [kW]</b>               | 2,6      |
| <b>Net Height [mm]</b>     | 900                | <b>Power consumption of the zone 3 [kW]</b>               | 2,6      |
| <b>Net Weight [kg]</b>     | 91.00              | <b>Power consumption of the zone 4 [kW]</b>               | 2,6      |
| <b>Power electric [kW]</b> | 16.700             | <b>Type of internal part of the appliance 1 (eg oven)</b> | Electric |
| <b>Loading</b>             | 400 V / 3N - 50 Hz | <b>Type of internal part of the appliance 2 (eg oven)</b> | Static   |

# Technical data sheet

Technical drawing

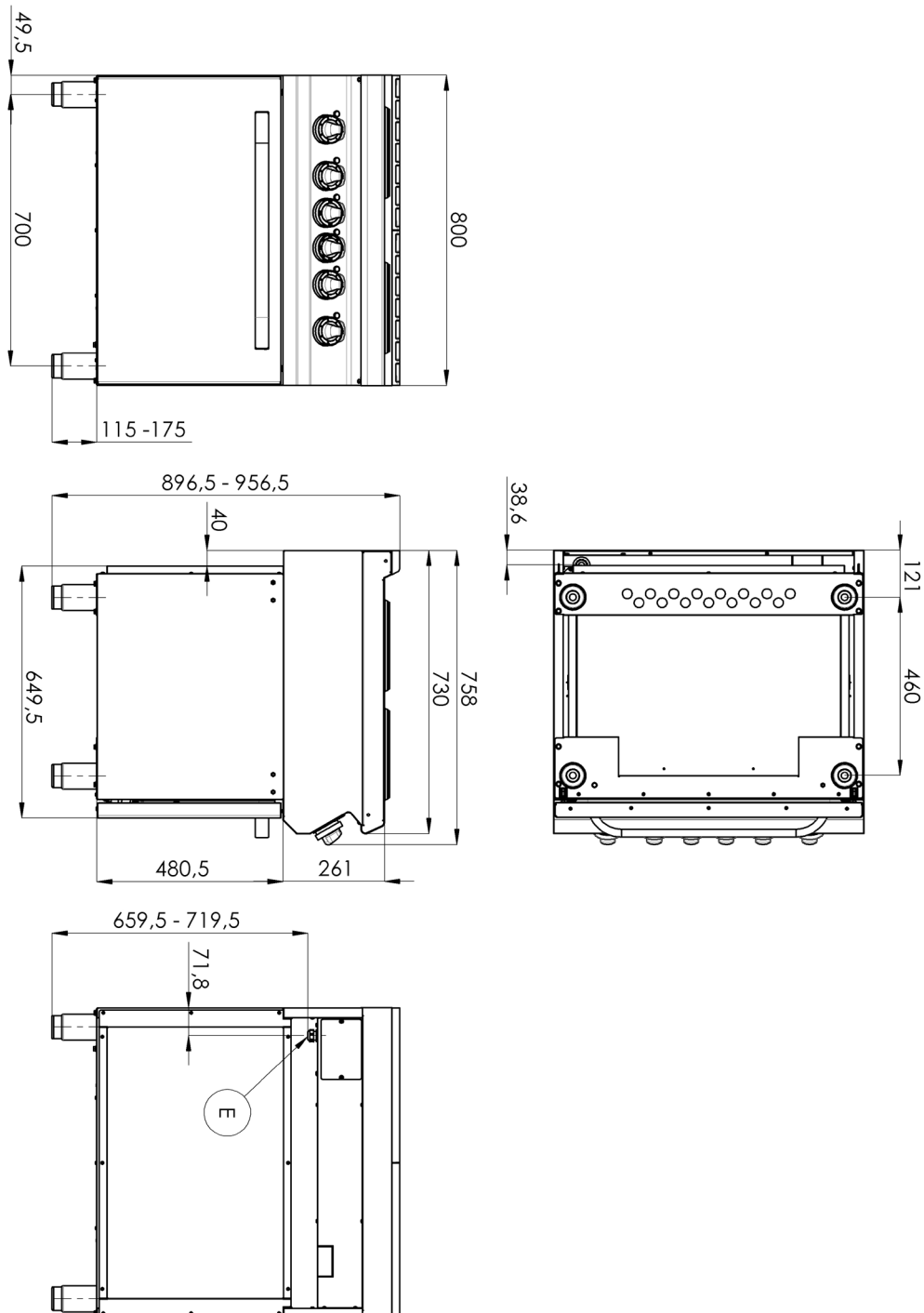


Cooking range electric with static oven

Model

SAP Code

00008578



# Technical data sheet

Technical parameters



## Cooking range electric with static oven

**Model**

**SAP Code**

00008578

**1. SAP Code:**

00008578

**2. Net Width [mm]:**

800

**3. Net Depth [mm]:**

730

**4. Net Height [mm]:**

900

**5. Net Weight [kg]:**

91.00

**6. Gross Width [mm]:**

840

**7. Gross depth [mm]:**

800

**8. Gross Height [mm]:**

1080

**9. Gross Weight [kg]:**

104.00

**10. Device type:**

Electric unit

**11. Construction type of device:**

Stationary

**12. Power electric [kW]:**

16.700

**13. Loading:**

400 V / 3N - 50 Hz

**14. Protection of controls:**

IP24

**15. Device color:**

Stainless steel

**16. Material:**

AISI 304 top plate and cladding

**17. Indicators:**

operation

**18. Worktop type:**

Molded - comfortable cleaning maintenance

**19. Worktop material:**

AISI 304

**20. Worktop Thickness [mm]:**

1.50

**21. Number of zones:**

4

**22. Power consumption of the zone 1 [kW]:**

2,6

**23. Power consumption of the zone 2 [kW]:**

2,6

**24. Power consumption of the zone 3 [kW]:**

2,6

**25. Power consumption of the zone 4 [kW]:**

2,6

**26. Maximum device temperature [°C]:**

300

**27. Minimum device temperature [°C]:**

50

**28. Service accessibility:**

Trough the frontal panel

# Technical data sheet

Technical parameters



## Cooking range electric with static oven

**Model**

**SAP Code**

00008578

**29. Adjustable feet:**

Yes

**30. Number of burners/hot plates:**

4

**31. Type of electric cooking zones:**

Oval

**32. Oven Type:**

electrical static

**33. Oven power electric [kW]:**

6.30

**34. Oven size:**

GN 2/1

**35. Type of internal part of the appliance 1 (eg oven):**

Electric

**36. Type of internal part of the appliance 2 (eg oven):**

Static

**37. Gasket:**

Yes

**38. Maximum temperature of the inner chamber [Å°C]:**

300

**39. Minimum temperature of the inner chamber [Å°C]:**

50