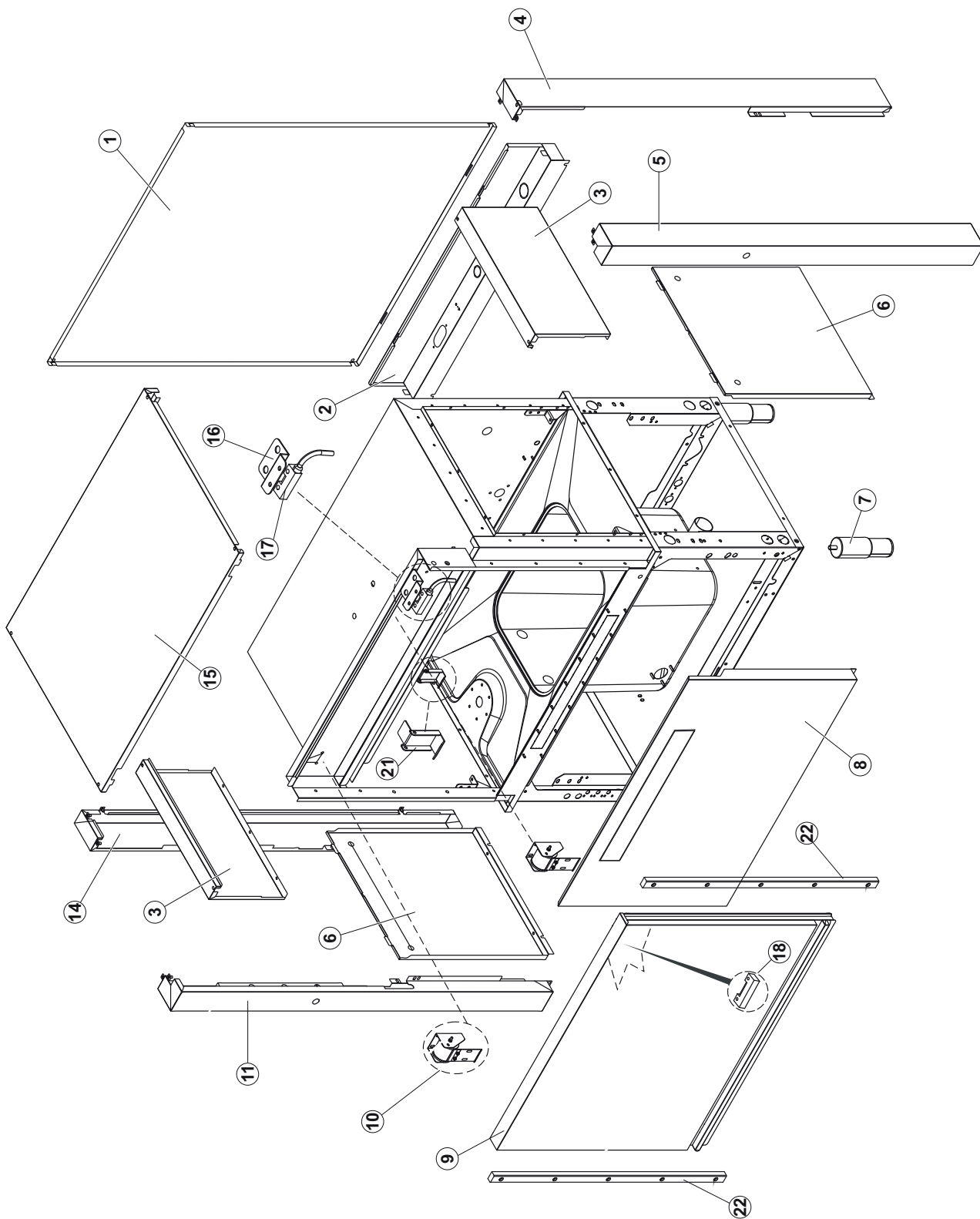
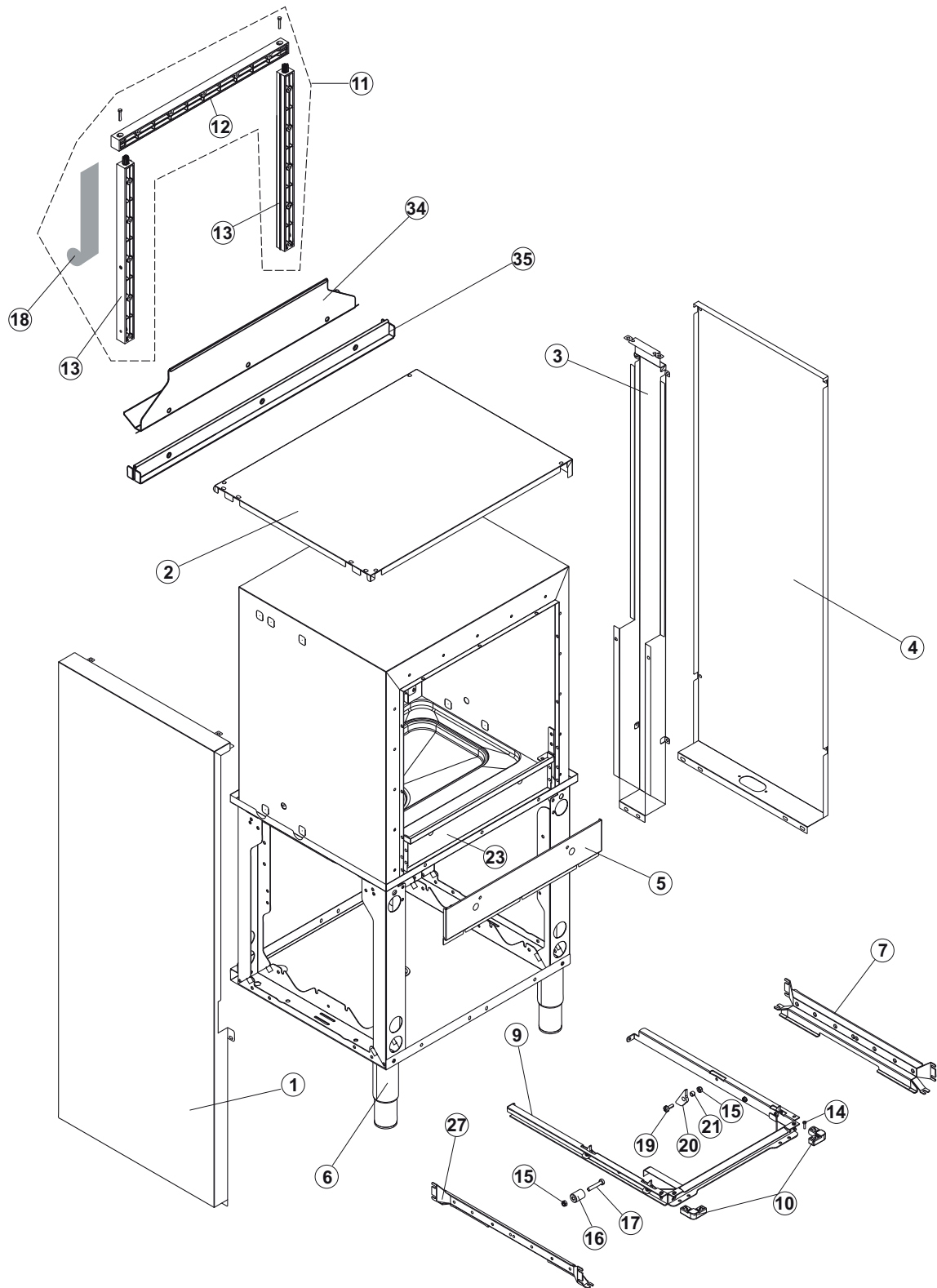


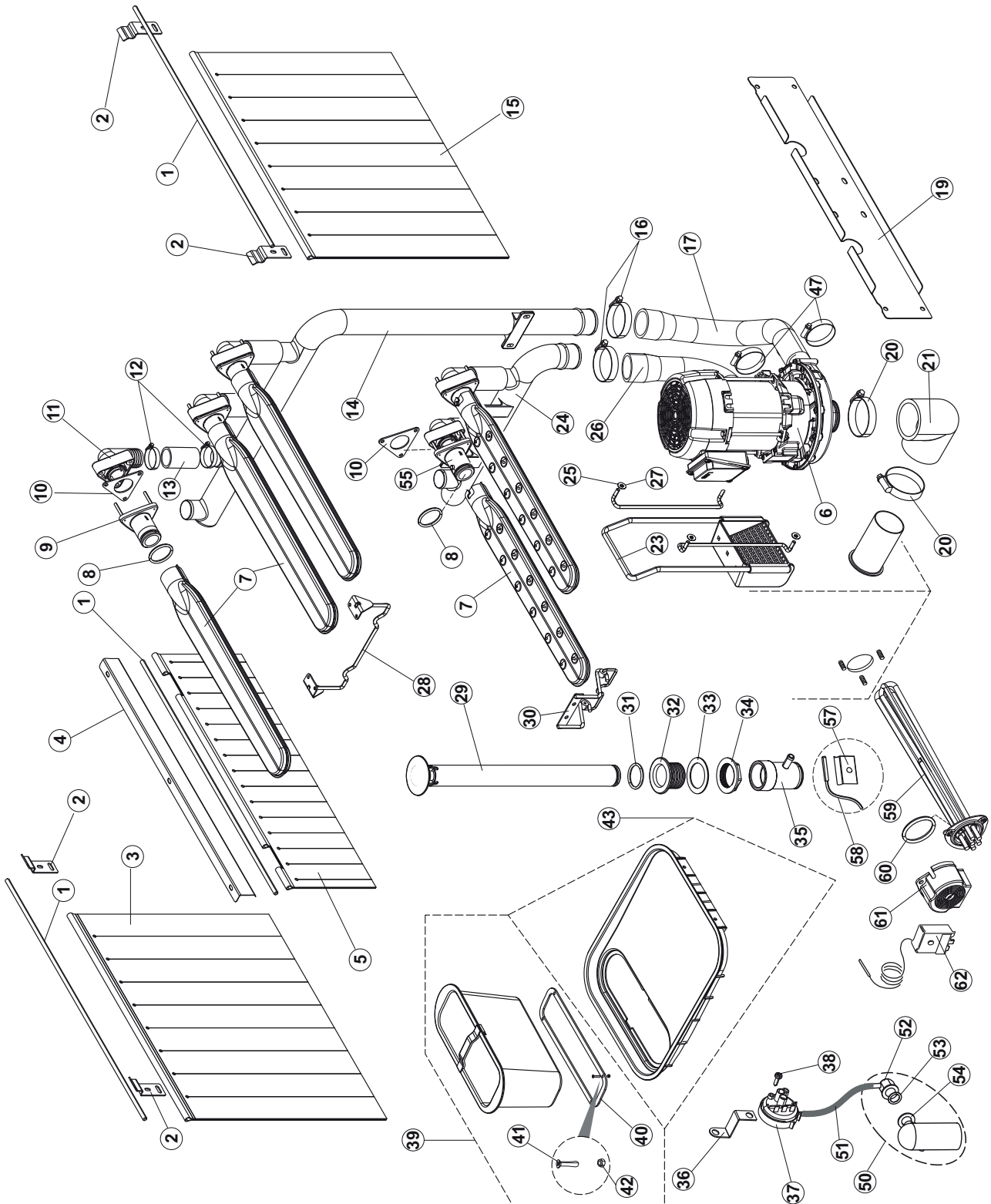
## ROZKRES 1/10



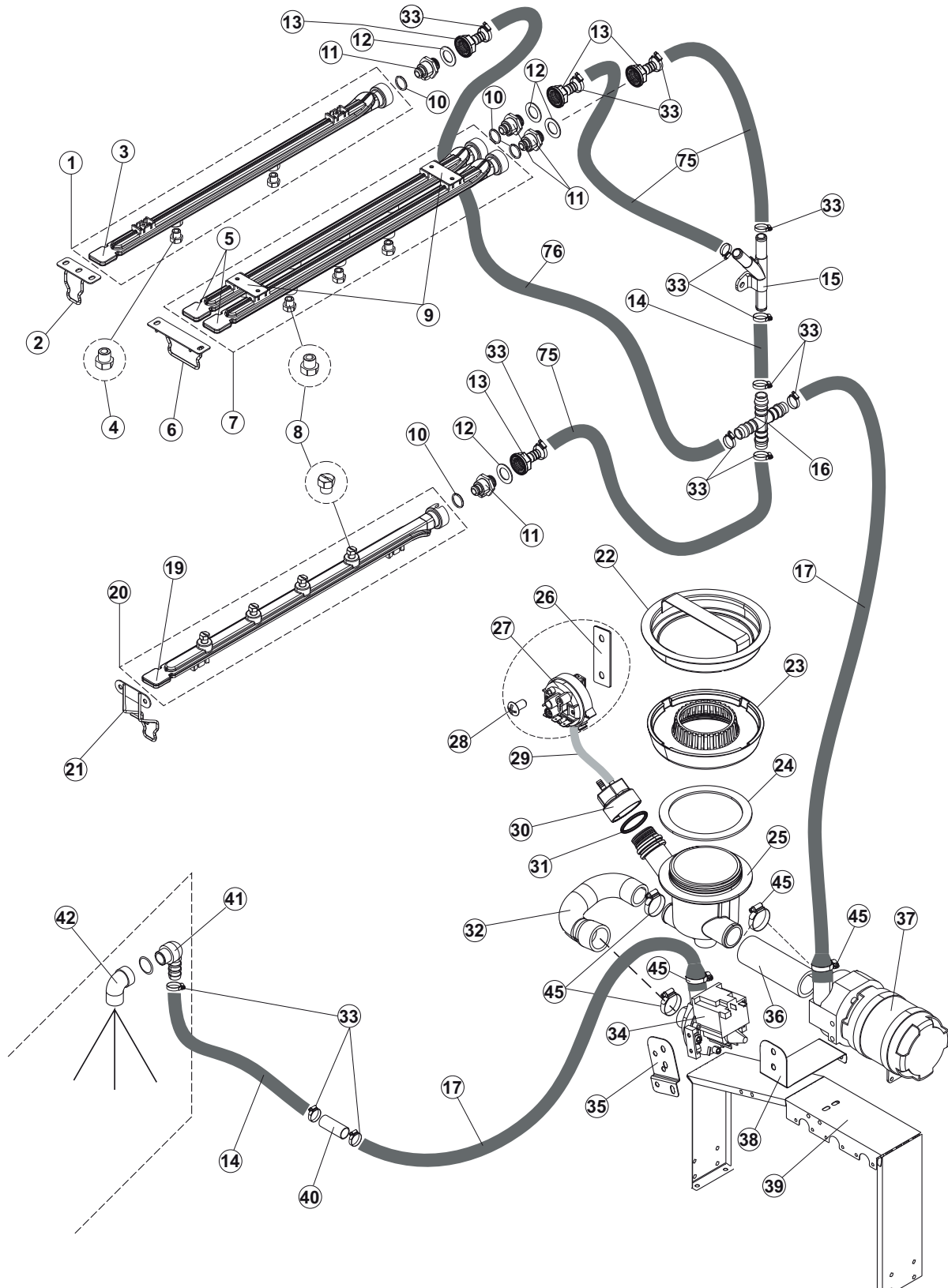
## ROZKRES 2/10



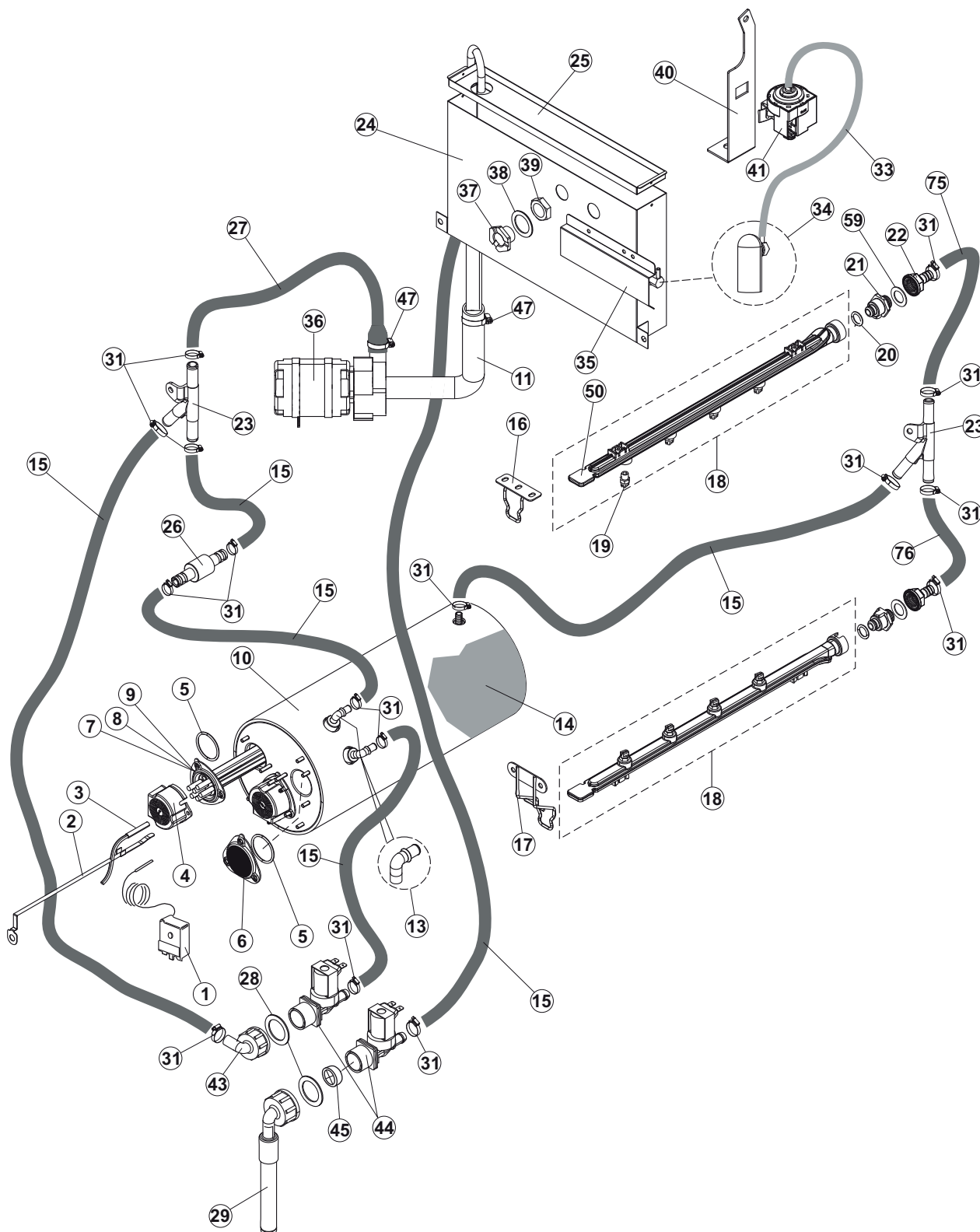
## ROZKRES 3/10



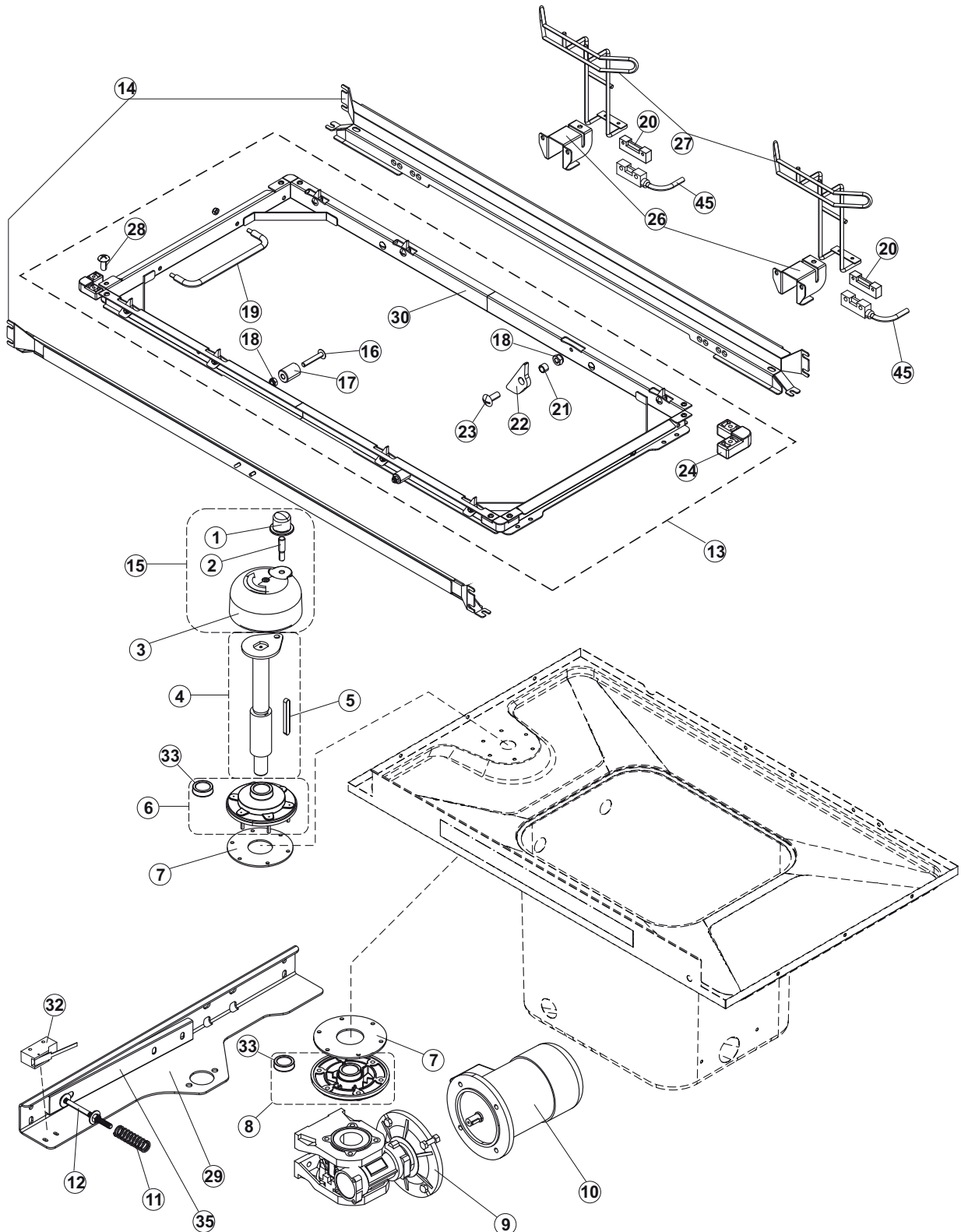
## ROZKRES 4/10



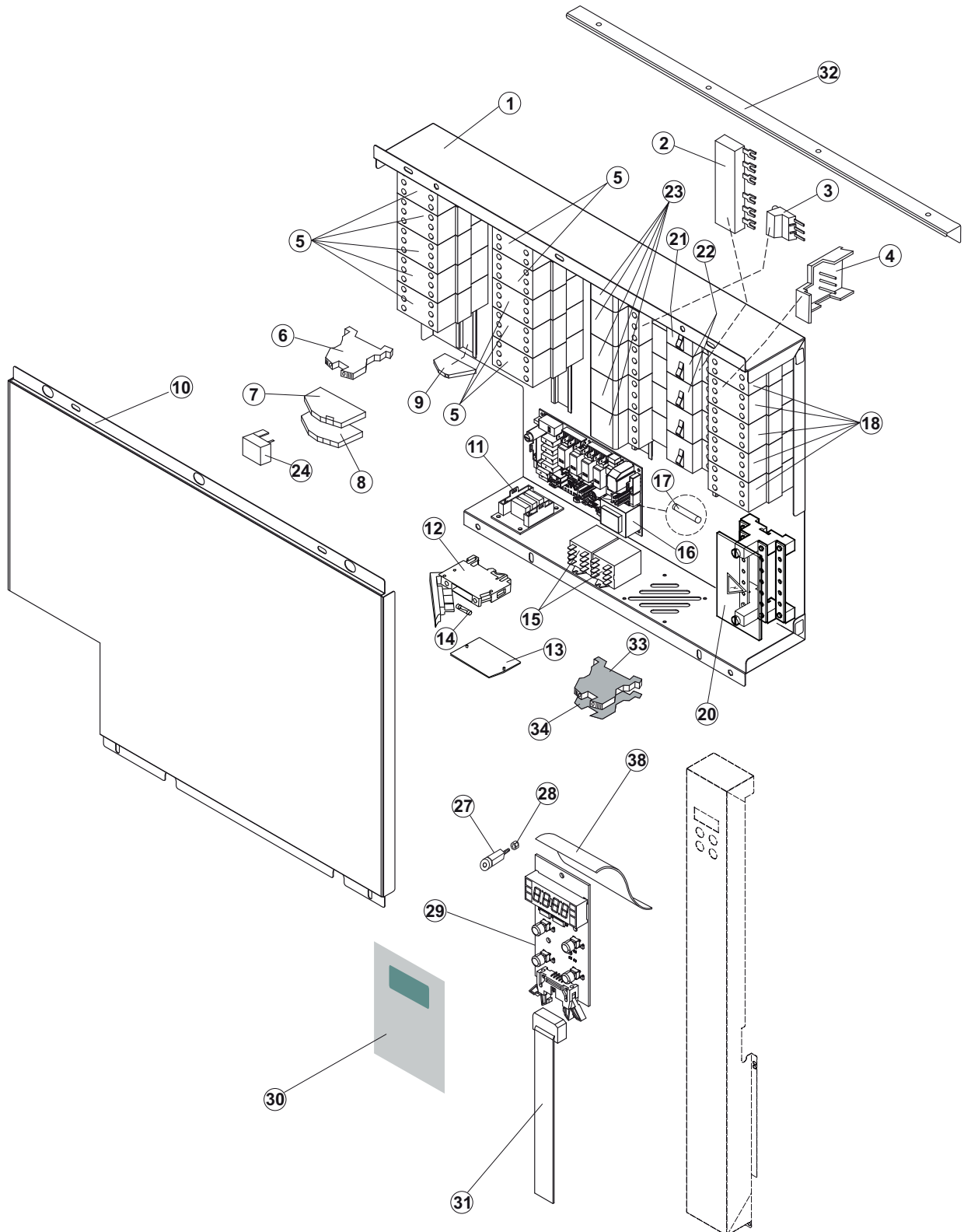
## ROZKRES 5/10



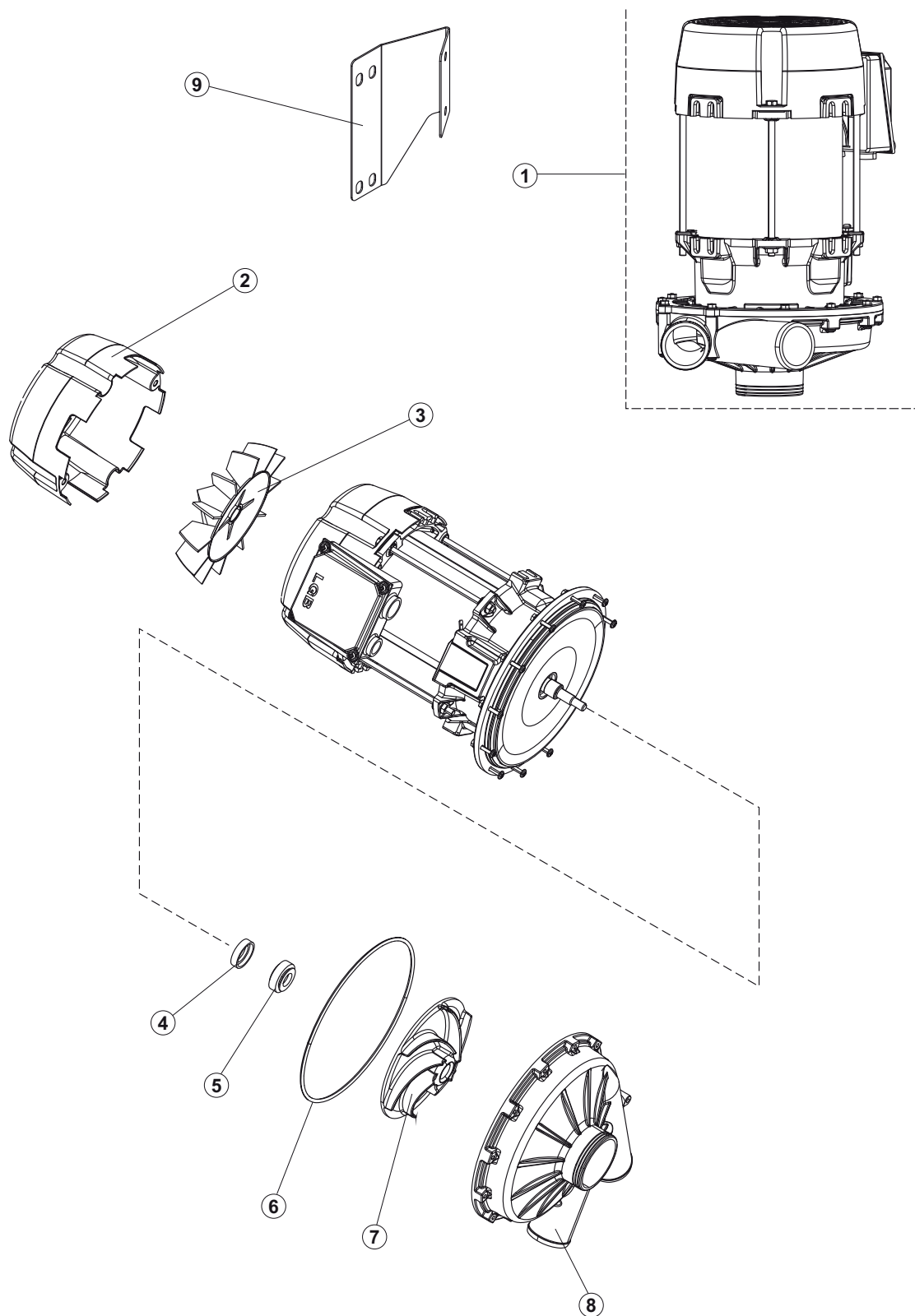
ROZKRES 6/10



## ROZKRES 7/10

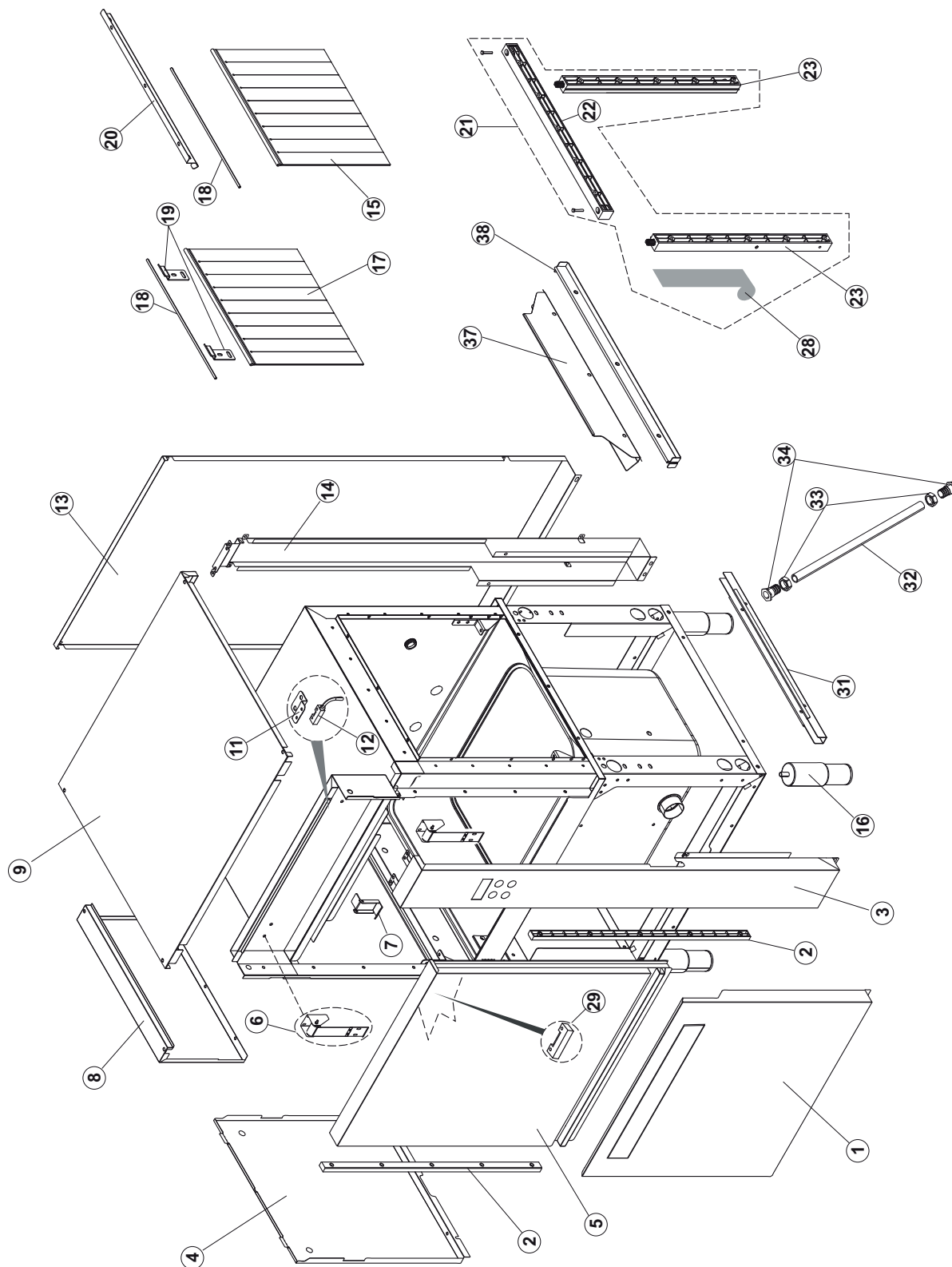


## ROZKRES 8/10





ROZKRES 9/10

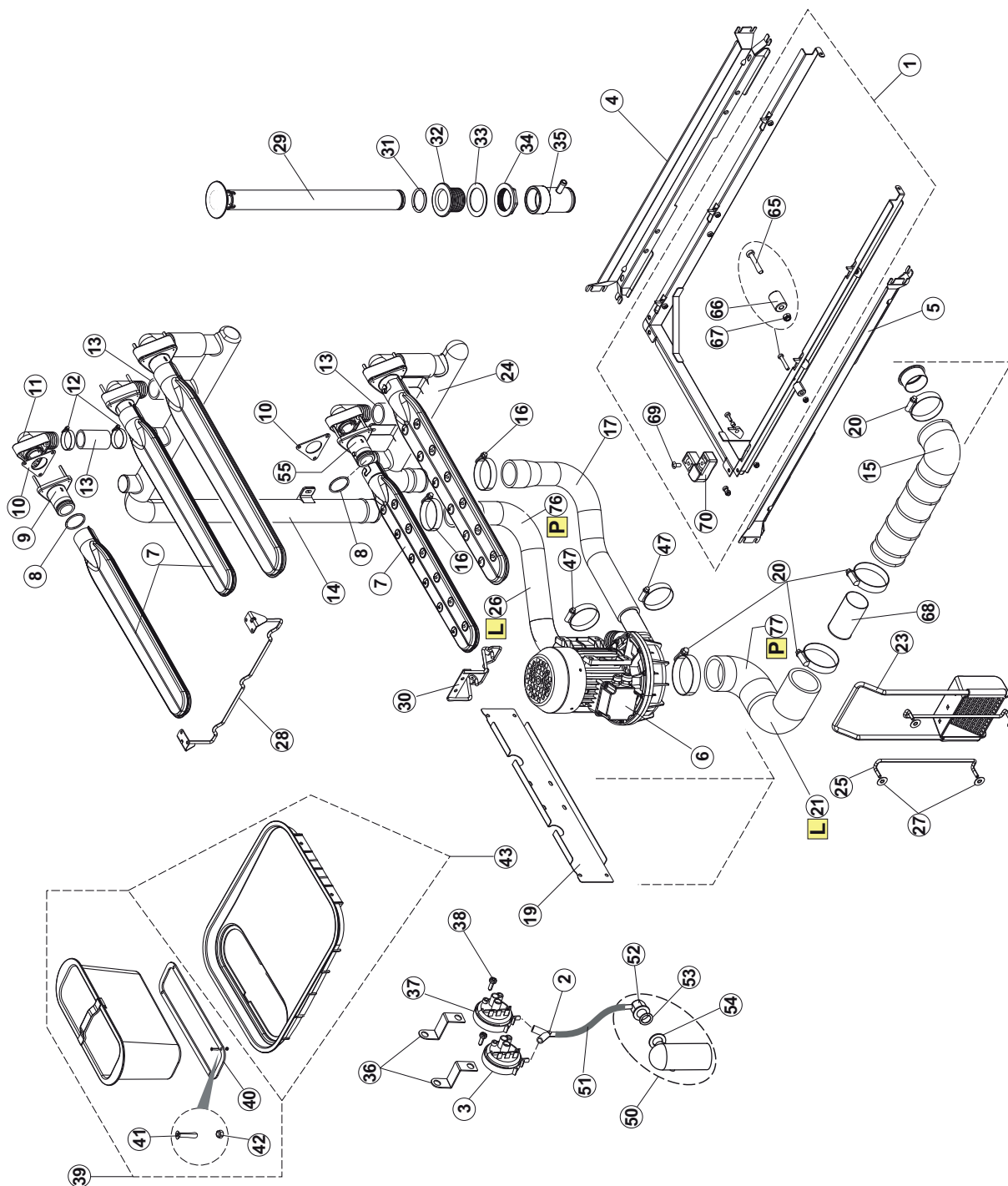


# Rozkres

A 270 ABT LX | A 270 ABT RX | A 270 W ABT LX | A 270 W ABT RX



ROZKRES 10/10



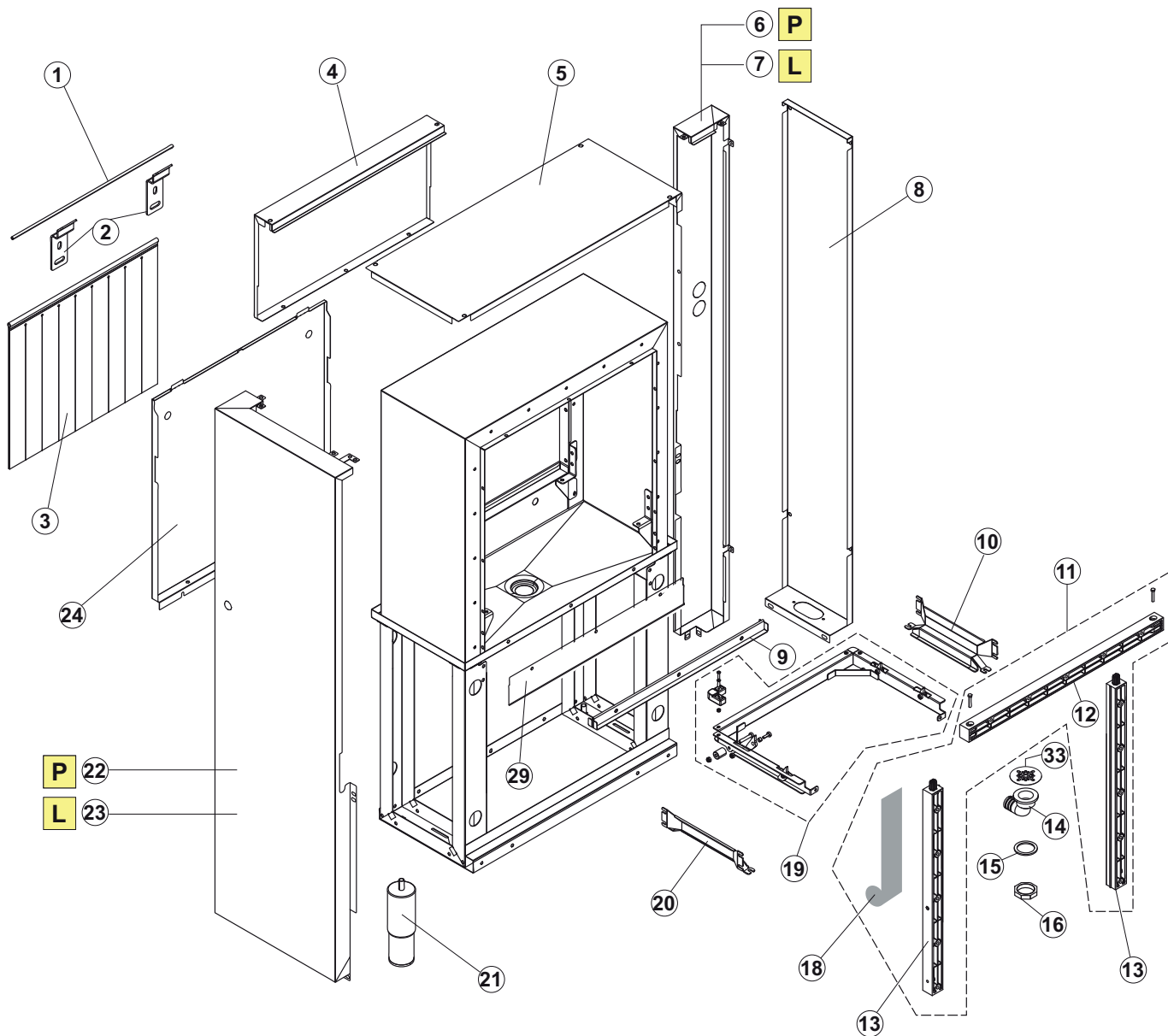
<b>L</b>		Výstup vlevo
<b>P</b>		Výstup vpravo

# Rozkres



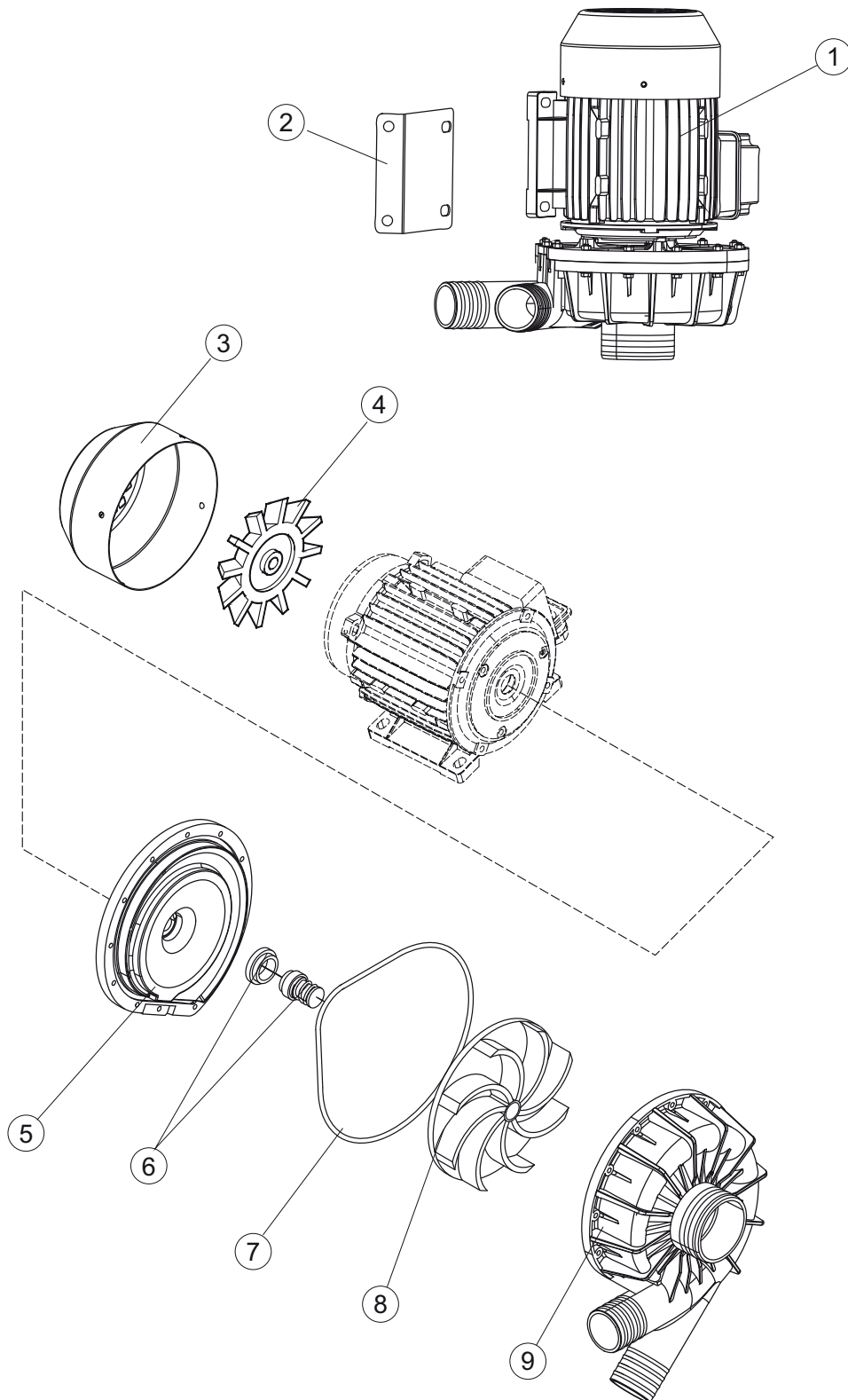
A 270 ABT LX | A 270 ABT RX | A 270 W ABT LX | A 270 W ABT RX

ROZKRES 11/10

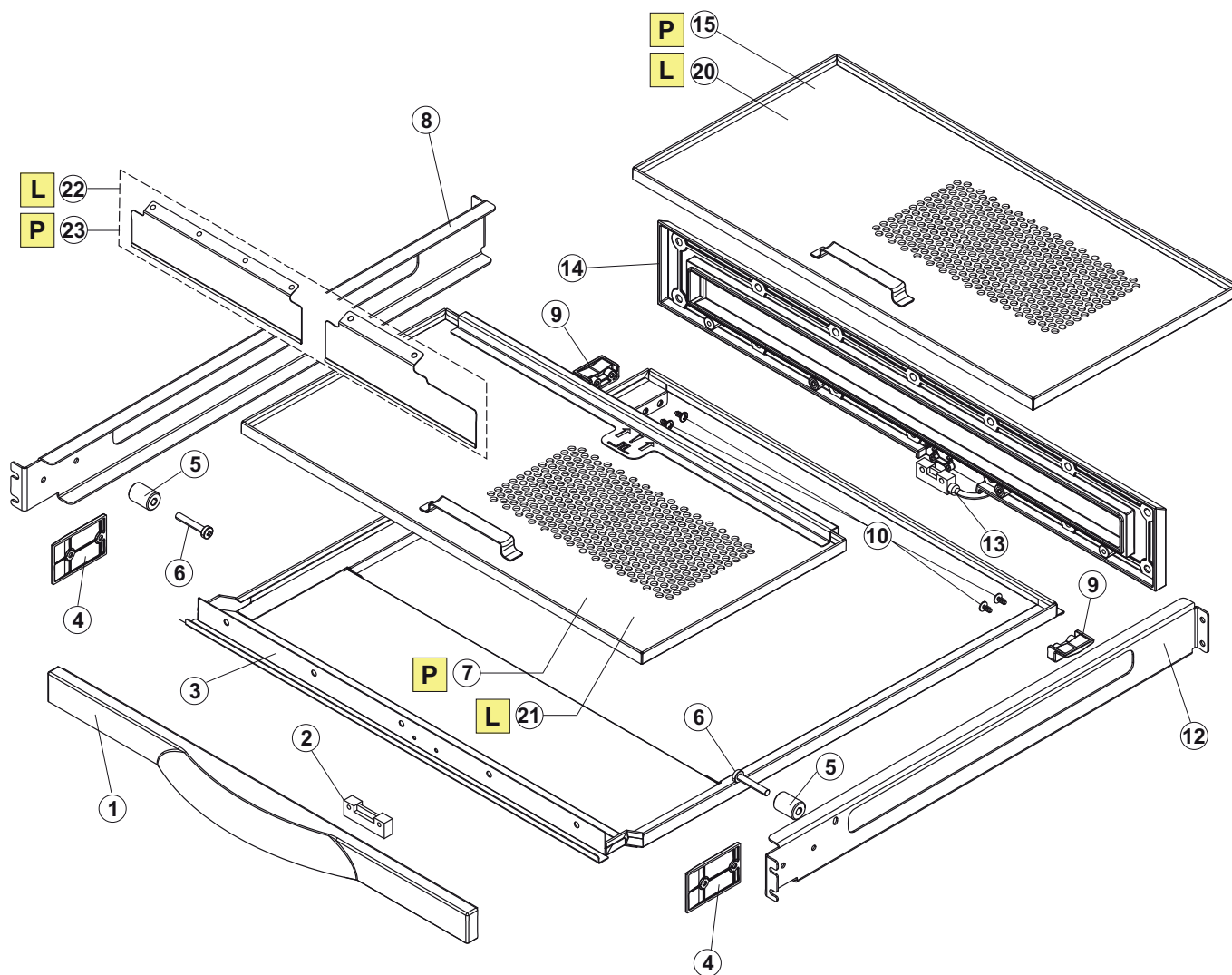


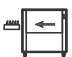

L		Výstup vlevo
P		Výstup vpravo

ROZKRES 12/10



ROZKRES 13/10



L		Výstup vlevo
P		Výstup vpravo

ROZKRES	POZICE	POLOŽKA	ČÍSLO
1	1	NOT IN PRICE-LIST	65244
1	2	BACK PANEL	65080
1	3	FRONT PANEL	65035
1	4	CORNER REAR RIGHT PANEL	65258
1	5	SUPPORTING UPRIGHT	65337
1	6	SIDE PANEL	65054
1	7	FOOT	73100
1	8	FRONT PANEL	65287
1	9	KIT DOOR WASH UNIT	K65282
1	10	DOOR SPRING KIT	65654
1	11	CORNER FRONT RIGHT PANEL	65338
1	14	CORNER REAR LEFT PANEL	65259
1	15	TOP PANEL	65050
1	16	BRACKET	65256
1	17	MAGNETIC DOOR SWITCH	80871
1	18	MAGNET FOR HOOD MICROSWITCH (	927088 (CWM7)
1	21	DOOR SAFETY HOOK FOR RACK-CONVEYOR	75064
1	22	SLIDES CONVEYOR DOOR	75647
2	1	NOT IN PRICE-LIST	65096
2	2	TOP PANEL	65541
2	3	NOT IN PRICE-LIST	65618
2	4	NOT IN PRICE-LIST	65081
2	5	LOWER ESTERNAL FRONT PANEL - FINISHED	75307
2	6	FOOT	73100
2	7	RACK SLIDE	65052
2	9	TOWING RACK	65370
2	10	SLED CART TOWING	75075
2	11	KIT GROUP FRAME JUNCTION TOWING MODULE	K65049
2	12	HORIZONTAL BAR	65047
2	13	VERTICAL L BAR	65045
2	14	STAINLESS STEEL SCREW 4MAX10 TBCR-SP	486169 (REB486169)
2	15	NUT - SELF-LOCK	CDI206AU
2	16	BUFFER FOR DRIVE STOP	75076
2	17	SCREW	75310
2	18	GASKET	65997
2	19	SCREW, INOX SPEC.6MAX16 T.1/2 T. POELIER	CVI172
2	20	RACK CONVEYOR COG	75071
2	21	BUSH	75077
2	23	INNER LOWER FRONT PANEL - FINISHED PART	65308
2	27	RACK SLIDE	65052

ROZKRES	POZICE	POLOŽKA	ČÍSLO
2	34	NOT IN PRICE-LIST	65646
2	35	BRACKET UNION TANKS	65055
3	1	CURTAIN SUPPORT FOR RACK-CONVEYOR DISH-	75124
3	2	SUPPORT BRACKET	65128
3	3	CURTAIN	65210
3	4	CURTAIN SUPPORTING BRACKET	65162
3	5	CURTAIN	65211
3	6	WASHPUMP	65600
3	7	COMPLETE WASH ARM	75616
3	8	O-RING	CGR4131NT
3	9	CONNECTING ARM	75645
3	10	GASKET	437050 (REB437050)
3	11	PIPE FITTING	75155
3	12	NOT IN PRICE-LIST	CFS32
3	13	DELIVERY WASH HOSE	75154
3	14	PIPE	65177
3	15	CURTAIN	65210
3	16	CLAMP, TORRO W1/W2B 50-70/12	CFS2
3	17	PIPE	65624
3	19	BRACKET	65330
3	20	CLAMP, HOSE-TYPE TORRO W2B 60-80/12	CFS3
3	21	PIPE ELBOW	926056 (DZG461)
3	23	PUMP ASPIRATION FILTER	75661
3	24	PIPE + PARZ.77018	K65176
3	25	ASPIRATION FILTER SLIDE	42092 (C.42092)
3	26	PIPE	65623
3	27	WASHER	472061
3	28	BRACKET	65293
3	29	OVERFLOW PIPE	75866
3	30	SUPPORT BRACKET WASH ARM	65212
3	31	O-RING	CGR4131NT
3	32	DRAIN CONNECTION	75871
3	33	GASKET	75873
3	34	NUT WASTE DRAIN	75872
3	35	DRAIN FITTING (PLASTIC)	75639
3	36	NOT IN PRICE-LIST	DAS20206
3	37	PRESSURE SWITCH	926049 (DEP45)
3	38	SCREW	CVZ4
3	39	COLLECTING FILTER WITH WEIGHT	75429
3	40	WEIGHT FOR BASKET STAINER	75428

ROZKRES	POZICE	POLOŽKA	ČÍSLO
3	41	SCREW, INOX 4MAX10 TC/CROSS	CVI1101
3	42	NUT - SELF-LOCK	417091
3	43	TANK FLAT STAINLESS STEEL FILTER	65200
3	47	HOSE CLAMP	CFS1A
3	50	AIR TRAP, ASSY	984005 (REB984005)
3	51	LINEN RUBBER PIPE 5X12 - BLACK	143005 (SPG10)
3	52	AIR TRAP CONNECTION OF PRESSURE SWITCH	468029 (REB468029)
3	53	O-RING	456020 (REB456020)
3	54	PACKING FOR AIR TRAP OF PRESSURE SWITCH	437019 (REB437019)
3	55	CONNECTING ARM	75648
3	57	SUPPORT TEMPERATURE PROBE	H.775489-001
3	58	TEMPERATURE PROBE	231016
3	59	HEATING ELEMENT 10500W 230/400V	80397C
3	60	O-RING	456002 (REB456002)
3	61	BOILER HEATING ELEMENT PROTECTION	69870
3	62	THERMOSTAT	927057
4	1	RINSE ARM	65787
4	2	BRACKET	65593
4	3	RINSE ARM	65515
4	4	STAINLESS STEEL RINSE SPRAY NOZZLE	77068
4	5	RINSE ARM	65523
4	6	BRACKET	65585
4	7	RINSE ARM	65784
4	8	STAINLESS STEEL NOZZLE - FIRST RINSING	927309 (CSP251)
4	9	BRACKET	65527
4	10	O-RING 2050 12.42X1.78 EPDM 70SH A	65727
4	11	BRACKET	65015
4	12	GASKET ES/AM VERDE 33X21X1,5	65749
4	13	PIPE FITTING	66945
4	14	RUBBER PIPE 12X19,5	143010 (SPG61)
4	15	JUNCTION "Y"	143268
4	16	MAINFOLD	77060
4	17	RINSE DELIVERY TUBE(CRP)	41525
4	19	RINSE ARM	65521
4	20	RINSE ARM	65785
4	21	SUPPORT BRACKET RINSE ARM	65588
4	22	STAINER	65975
4	23	RING NUT	429077
4	24	GASKET	437107
4	25	ASPIRATION AND DRAIN BODY	136029



ROZKRES	POZICE	POLOŽKA	ČÍSLO
4	26	NOT IN PRICE-LIST	20206PZ
4	27	PRESSURE SWITCH 140/95	65813
4	28	SCREW	CVZ4
4	29	PIPE	143131 (SPG47)
4	30	AIR TRAP FOR PRESSURE SWITCH	107013
4	31	O-RING	456073
4	32	DRAIN HOSE	127115
4	33	HOSE CLAMP	927322 (CFS14)
4	34	DRAIN PUMP90- V 220/240- F50	999363
4	35	NOT IN PRICE-LIST	65663
4	36	NOT IN PRICE-LIST	65805
4	37	ELECTROPUMP	929167 (DPE112)
4	38	NOT IN PRICE-LIST	65667
4	39	NOT IN PRICE-LIST	65660
4	40	STEEL TUBE	65806
4	41	BRASS RUBBER-PIPE HOLDER CONNECTION 3/8	929163 (DZR2622)
4	42	UNION ELBOW 3/8" AISI316	65876
4	45	NOT IN PRICE-LIST	CFS32
4	75	RINSE PIPE L 200 RACC 90	65747-A
4	76	RINSE PIPE L 580 RACC 90	65747-C
5	1	THERMOSTAT	927057
5	2	PROBE HOLDER	69871
5	3	TEMPERATURE PROBE	231016
5	4	BOILER HEATING ELEMENT PROTECTION	69870
5	5	O-RING	456002 (REB456002)
5	6	CLOSED FLANGE CAP (170880543)	926053 (DWT100)
5	7	HEATING ELEMENT 6KW	230083C (REB230083C)
5	8	KIT HEATING ELEMENTS REB230020 (8KW)	230020C (REB230020C)
5	9	READY-TO-ASSEMBLE KIT FOR HEATING	80398C (C.80398C)
5	10	BOILER	65700
5	11	PIPE	65069
5	13	PIPE FITTING	65018
5	14	COVER INSULATION	65245
5	15	RUBBER PIPE 12X19,5	143010 (SPG61)
5	16	BRACKET	65582
5	17	SUPPORT BRACKET RINSE ARM	65588
5	18	RINSE ARM	65788
5	19	STAINLESS STEEL RINSE SPRAY NOZZLE	65951
5	20	O-RING 2050 12.42X1.78 EPDM 70SH A	65727
5	21	INTERNAL RINSE PIPE FITTING AISI303	65883

ROZKRES	POZICE	POLOŽKA	ČÍSLO
5	22	PIPE FITTING	66945
5	23	JUNCTION "Y"	143268
5	24	BREAK TANK	65388
5	25	COVER	65390
5	26	NOT IN PRICE-LIST	65608
5	27	RINSE DELIVERY TUBE(CRP)	41525
5	28	GASKET	437041 (REB437041)
5	29	INLET HOSE	143277
5	31	HOSE CLAMP	927322 (CFS14)
5	33	PIPE	143131 (SPG47)
5	34	AIR TRAP, ASSY	984005 (REB984005)
5	35	SPLASH PROTECTION	41059 (C.41059)
5	36	ELECTROPUMP	929167 (DPE112)
5	37	RING NUT	429036 (REB429036)
5	38	PACKING FOR DRAIN UNIT RING NUT (S6666)	437025 (REB437025)
5	39	NUT - CHROMIUM PLATED	CDO134CR
5	40	NOT IN PRICE-LIST	75621
5	41	PRESSURE SWITCH	224031
5	43	PIPE CONNECTION	927326 (DZR666)
5	44	SOLENOID VALVE	240016 (DEV3S16)
5	45	FLOW REDUCER	75976
5	47	NOT IN PRICE-LIST	CFS32
5	50	RINSE ARM	65545
5	59	GASKET ES/AM VERDE 33X21X1,5	65749
5	75	RINSE PIPE L 200 RACC 90	65747-A
5	76	RINSE PIPE L 380 RACC 90	65747-B
6	1	WASHER	75058
6	2	PIVOT	75234
6	3	SPLASH PROTECTION	75649
6	4	GEAR SHAFT CONVEYOR	65235
6	5	GEARED MOTOR KEY	65235C
6	6	UPPER FLANGE SHAFT CONVEYOR	K75141
6	7	GASKET	75168
6	8	LOWER BUSH & SEAL	K75057
6	9	GEARMOTOR SW050PA MEC71B5 I=30	65921
6	10	MOTOR 180W V 400	927105 (DPM1205)
6	11	SPRING	CMT13
6	12	SCREW	60354
6	13	RACK CONVEYOR	75869
6	14	RACK SLIDE RACKCONVEYOR ONLY SPARE PART	K65024

ROZKRES	POZICE	POLOŽKA	ČÍSLO
6	15	KIT PROTECTIVE PLATE OF SPLASHING WATER	K75649
6	16	SCREW	75310
6	17	BUFFER FOR DRIVE STOP	75076
6	18	NUT - SELF-LOCK	CDI206AU
6	19	RACK CONVEYOR HANDLE	75073
6	20	MAGNET FOR HOOD MICROSWITCH	927088 (CWM7)
6	21	BUSH	75077
6	22	RACK CONVEYOR COG	75071
6	23	SCREW, INOX SPEC.6MAX16 T.1/2 T. POELIER	CV1172
6	24	SLED CART TOWING	75075
6	25	NOT IN PRICE-LIST	65022
6	26	BRACKET ECONOMIZER	75110
6	27	OPERATED RINSING LEVER	65695
6	28	STAINLESS STEEL SCREW 4MAX10 TBCR-SP	486169 (REB486169)
6	29	NOT IN PRICE-LIST	65217
6	30	TOWING RACK	75868
6	32	MICROSWITCH	927246 (DEM11NT)
6	33	SEAL RING MIM 30X40X7 (MIM 30407)	927095 (DWA202)
6	35	SUPPORT BRACKET	75218
6	45	MAGNETIC DOOR SWITCH	80871
7	1	PANEL FOR ELECTRICAL COMPONENTS	65680
7	2	BAR ELECTRICAL CONNECTION	80829
7	3	POWER CONNECTOR	80826
7	4	CONNECTOR	73830
7	5	CONTACTOR	73351
7	6	TERMINAL BLOCK	927115 (DEM4L)
7	7	NOT IN PRICE-LIST	74938
7	8	NOT IN PRICE-LIST	74939
7	9	ELECTRICAL CONNECTOR FOR U-SHAPED BAR	75817
7	10	COVER	65683
7	11	MAIN BOARD	74903
7	12	FUSE-HOLDER	74935
7	13	PLUG	H.228048
7	14	FUSE	228014
7	15	RELAY 16A 230V	929115 (DER1108)
7	16	MAIN BOARD 215042+ FIRMWARE26(FW_0_XXA.Q014)	215042-2
7	17	FUSE	228010
7	18	CONTACTOR	73350
7	20	TERMINAL BLOCK	75983
7	21	AUTOMATIC SWITCH	DEI38N

ROZKRES	POZICE	POLOŽKA	ČÍSLO
7	22	AUTOMATIC SWITCH	DEI36N
7	23	FUSE-HOLDER - TRIPOLAR GK1-DF	927038 (DEP2F)
7	24	NOT IN PRICE-LIST	74940
7	27	INTERFACE BOARD DISTANCE KEEPERS	419036
7	28	NUT	417119
7	29	CONTROL KEYBOARD	74901
7	30	CONTROL ADHESIVE INTERFACE A200ABT, A270ABT RM	66720
7	31	FLAT CABLE WITH PROTECTIVE SHEATH	74933
7	32	BRACKET	65491
7	33	NOT IN PRICE-LIST	74936
7	34	PLUG	65981
7	38	PVC CURTAIN FOR ELECTRIC PROTECTION	214088
8	1	WASHPUMP	65600
8	2	MOTOR FAN COVER	66456
8	3	FAN	66457
8	4	FIXED SHAFT SEAL (1033R)	66452
8	5	ROTATING MECHANICAL SEAL(1032R)	66453
8	6	O-RING 3877R	66455
8	7	IMPELLER 3878D 125 DIAM 125(POMPA 65600)	66454
8	8	PUMP HOUSING (3868R)	66451
8	9	SUPPORT BRACKET	65329
9	1	FRONT PANEL	65482
9	2	SLIDES CONVEYOR DOOR	75647
9	3	NOT IN PRICE-LIST	65617
9	4	SIDE PANEL	65054
9	5	CONVEYOR DOOR	65534
9	6	DOOR SPRING KIT	77560
9	7	DOOR SAFETY HOOK FOR RACK-CONVEYOR	75064
9	8	FRONT PANEL	65035
9	9	TOP PANEL	65742
9	11	BRACKET	65256
9	12	MAGNETIC DOOR SWITCH	80871
9	13	NOT IN PRICE-LIST	65540
9	14	SUPPORTING UPRIGHT	65619
9	15	MEDIUM CURTAIN 3 CUTS	65216
9	16	FOOT	73100
9	17	CURTAIN	65210
9	18	CURTAIN SUPPORT FOR RACK-CONVEYOR DISH-	75124
9	19	SUPPORT BRACKET	65128
9	20	CURTAIN SUPPORTING BRACKET	65640

ROZKRES	POZICE	POLOŽKA	ČÍSLO
9	21	KIT GROUP FRAME JUNCTION TOWING MODULE	K65049
9	22	HORIZONTAL BAR	65047
9	23	VERTICAL L BAR	65045
9	28	GASKET	65997
9	29	MAGNET FOR HOOD MICROSWITCH	927088 (CWM7)
9	31	BOTTOM STEEL BAR	77527
9	32	NOT IN PRICE-LIST	K66915
9	33	NUT	77524
9	34	DRAIN CONNECTION	77525
9	37	NOT IN PRICE-LIST	65646
9	38	BRACKET UNION TANKS	65055
10	1	RACK CONVEYOR	77830
10	2	PIPE CONNECTION	70996
10	3	PRESSURE SWITCH 115/15	224006 (REB224006)
10	4	NOT IN PRICE-LIST	K65531
10	5	NOT IN PRICE-LIST	K65531
10	6	WASHPUMP	70100
10	7	COMPLETE WASH ARM	75616
10	8	O-RING	CGR4131NT
10	9	CONNECTING ARM	75645
10	10	GASKET	437050 (REB437050)
10	11	PIPE FITTING	75155
10	12	NOT IN PRICE-LIST	CFS32
10	13	DELIVERY WASH HOSE	75154
10	14	PIPE	65177
10	15	SUCTION PIPE	80186 (C.80186)
10	16	CLAMP, TORRO W1/W2B 50-70/12	CFS2
10	17	PIPE	65623
10	19	BRACKET	65330
10	20	CLAMP, HOSE-TYPE TORRO W2B 60-80/12	CFS3
10	21	PUMP INLET HOSE	65189
10	23	PUMP ASPIRATION FILTER	75661
10	24	PIPE + PARZ.77018	K65176
10	25	ASPIRATION FILTER SLIDE	42092 (C.42092)
10	26	PIPE	65624
10	27	WASHER	472061
10	28	BRACKET	65293
10	29	OVERFLOW PIPE	77846
10	30	SUPPORT BRACKET WASH ARM	65212
10	31	O-RING	CGR4131NT

ROZKRES	POZICE	POLOŽKA	ČÍSLO
10	32	DRAIN CONNECTION	75871
10	33	GASKET	75873
10	34	NUT WASTE DRAIN	75872
10	35	DRAIN FITTING (PLASTIC)	75639
10	36	NOT IN PRICE-LIST	DAS20206
10	37	PRESSURE SWITCH	926049 (DEP45)
10	38	SCREW	CVZ4
10	39	COLLECTING FILTER WITH WEIGHT	75429
10	40	WEIGHT FOR BASKET STAINER	75428
10	41	SCREW, INOX 4MAX10 TC/CROSS	CVI1101
10	42	NUT - SELF-LOCK	417091
10	43	TANK FLAT STAINLESS STEEL FILTER	65200
10	47	HOSE CLAMP	CFS1A
10	50	AIR TRAP, ASSY	984005 (REB984005)
10	51	LINEN RUBBER PIPE 5X12 - BLACK	143005 (SPG10)
10	52	AIR TRAP CONNECTION OF PRESSURE SWITCH	468029 (REB468029)
10	53	O-RING	456020 (REB456020)
10	54	PACKING FOR AIR TRAP OF PRESSURE SWITCH	437019 (REB437019)
10	55	CONNECTING ARM	75648
10	65	SCREW	75310
10	66	BUFFER FOR DRIVE STOP	75076
10	67	NUT - SELF-LOCK	CDI206AU
10	68	NOT IN PRICE-LIST	929165T
10	69	STAINLESS STEEL SCREW 4MAX10 TBCR-SP	486169 (REB486169)
10	70	SLED CART TOWING	75075
10	76	PIPE	65622
10	77	PUMP INLET HOSE	65269
11	1	CURTAIN SUPPORT FOR RACK-CONVEYOR DISH-	75124
11	2	SUPPORT BRACKET	65128
11	3	CURTAIN	65210
11	4	FRONT PANEL	65035
11	5	TOP PANEL	65542
11	6	NOT IN PRICE-LIST	65249
11	7	CORNER REAR RIGHT PANEL	65258
11	8	BACK PANEL	65381
11	9	BRACKET UNION TANKS	65055
11	10	RACK SLIDE	65368
11	11	KIT GROUP FRAME JUNCTION TOWING MODULE	K65049
11	12	HORIZONTAL BAR	65047
11	13	VERTICAL L BAR	65045

ROZKRES	POZICE	POLOŽKA	ČÍSLO
11	14	DRAIN CONNECTION	DZP13
11	15	GASKET	437063 (CGG42)
11	16	PLASTIC NUT 1-1/4	417081 (CDP2)
11	18	GASKET	65997
11	19	NOT IN PRICE-LIST	65569
11	20	RACK SLIDE	65368
11	21	FOOT	73100
11	22	NOT IN PRICE-LIST	65656
11	23	NOT IN PRICE-LIST	65772
11	24	SIDE PANEL	65054
11	29	SEPARATOR UNIT WASHING - PREWASHING	65645
11	33	NOT IN PRICE-LIST	65827
12	1	WASHPUMP	70100
12	2	BRACKET	70105
12	3	ELECTROPUMP FAN COVER	70940
12	4	WASHPUMP FUN	70939
12	5	FLANGE	70941
12	6	WASHPUMP SHAFT SEAL	70942
12	7	O-RING	70943
12	8	ELECTROPUMP IMPELLER	70944
12	9	ELECTROPUMP HOUSING	70945
13	1	HANDLE FOR THE FILTER	65501
13	2	MAGNET FOR HOOD MICROSWITCH	927088 (CWM7)
13	3	STRAINER FRAME	65556
13	4	SIDE SLIDE FOR FILTER	65503
13	5	BUFFER FOR DRIVE STOP	75076
13	6	SCREW	75311
13	7	FRONT DRAWER STRAINER FOR PRE-WASH TANK	65477
13	8	NOT IN PRICE-LIST	65871
13	9	SLIDING BLOCK	65508
13	10	SCREW	65999
13	12	NOT IN PRICE-LIST	65872
13	13	MAGNETIC DOOR SWITCH	80871
13	14	KIT STAINER FRAME	K65502
13	15	FRONT DRAWER STRAINER FOR PRE-WASH TANK	65478
13	20	BACK DRAWER STRAINER FOR WASH TANK	65468
13	21	FRONT DRAWER STRAINER FOR WASH TANK	65464
13	22	KIT SPLASHGUARD WASH DOOR	K65565
13	23	KIT SPLASHGUARD PRE-WASH DOOR	K65479



Číslo produktu	Model produktu	Název produktu
<b>00010034</b>	<b>A 270 ABT LX</b>	Myčka tunelová 270 košů za hodinu na horkou vodu, výstup vlevo
<b>00013731</b>	<b>A 270 W ABT LX</b>	Myčka tunelová 270 košů za hodinu na studenou vodu, výstup vlevo
<b>00014493</b>	<b>A 270 W ABT RX</b>	Myčka tunelová 270 košů za hodinu na studenou vodu, výstup vpravo
<b>00014495</b>	<b>A 270 ABT RX</b>	Myčka tunelová 270 košů za hodinu na horkou vodu, výstup vpravo