

# Technical data sheet

## Product features



### Multi-function fixed braising pan gas 20 l TOP

<b>Model</b>	<b>SAP Code</b>	00000159
--------------	-----------------	----------



- Bottom material: Stainless steel - suitable for cooking, easy maintenance
- Bottom thickness: 16.00
- Basin volume [l]: 20
- Ignition: Piezo+večný plamen
- Type of pan: Removable
- Protection of controls: IPX5
- Basin dimensions [mm x mm x mm]: 505 x 410 x 100
- Service accessibility: Trough the frontal panel

<b>SAP Code</b>	00000159	<b>Type of gas</b>	Natural gas, propane butane
<b>Net Width [mm]</b>	600	<b>Bottom material</b>	Stainless steel - suitable for cooking, easy maintenance
<b>Net Depth [mm]</b>	600	<b>Basin volume [l]</b>	20
<b>Net Height [mm]</b>	280	<b>Width of internal part [mm]</b>	505
<b>Net Weight [kg]</b>	36.00	<b>Depth of internal part [mm]</b>	410
<b>Power electric [kW]</b>	6.900	<b>Height of internal part [mm]</b>	100
<b>Power gas [kW]</b>	6.900		

# Technical data sheet

Technical drawing

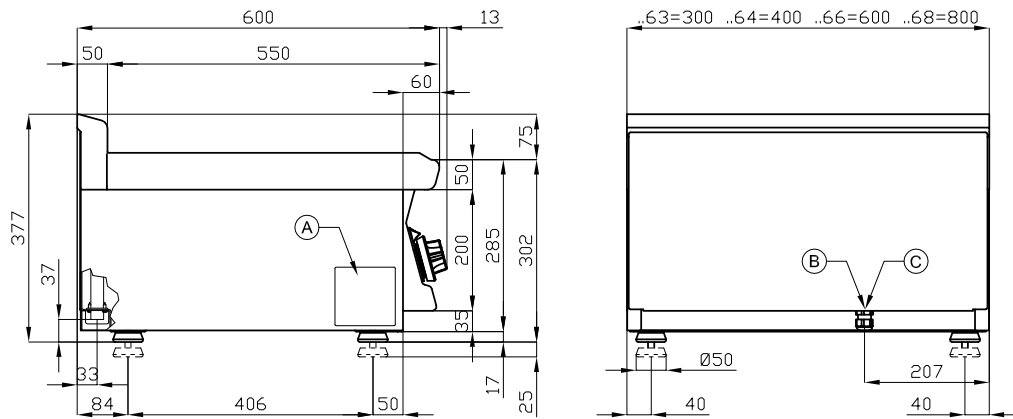


## Multi-function fixed braising pan gas 20 l TOP

Model

SAP Code

00000159



A	Data plate		C	Gas connection	ISO 7-1 1/2" M
---	------------	--	---	----------------	----------------

# Technical data sheet

## Product benefits



### Multi-function fixed braising pan gas 20 l TOP

Model

SAP Code

00000159

1

#### **Safety element – thermocouple**

safe service for staff  
there is no unnecessary gas leakage  
long life

- savings on service interventions
- easier and faster operation

2

#### **Degree of protection of the control elements IPX5**

maintenance-free system  
resistance to splash water  
long life

- savings on service interventions
- easy cleaning and maintenance of equipment

3

#### **Removable bathtub**

easy removal of the entire container, no need to pump oil

- easy and safe handling

4

#### **All-stainless steel bathtub**

long life  
resistance of a ground steel plate with  
a thickness of 10 mm

- savings on service interventions
- easy cleaning and maintenance of equipment

# Technical data sheet

Technical parameters



## Multi-function fixed braising pan gas 20 l TOP

Model

SAP Code

00000159

**1. SAP Code:**

00000159

**2. Net Width [mm]:**

600

**3. Net Depth [mm]:**

600

**4. Net Height [mm]:**

280

**5. Net Weight [kg]:**

36.00

**6. Gross Width [mm]:**

630

**7. Gross depth [mm]:**

690

**8. Gross Height [mm]:**

610

**9. Gross Weight [kg]:**

46.00

**10. Device type:**

Gas unit

**11. Construction type of device:**

Table top

**12. Power electric [kW]:**

6.900

**13. Power gas [kW]:**

6.900

**14. Ignition:**

Piezo+večný plamen

**15. Type of gas:**

Natural gas, propane butane

**16. Protection of controls:**

IPX5

**17. Device color:**

Stainless steel

**18. Material:**

AISI 304 top plate and cladding

**19. Worktop material:**

AISI 304

**20. Worktop Thickness [mm]:**

1.00

**21. Basin volume [l]:**

20

**22. Basin dimensions [mm x mm x mm]:**

505 x 410 x 100

**23. Device capacity [l]:**

20.00

**24. Maximum device temperature [°C]:**

300

**25. Minimum device temperature [°C]:**

50

**26. Power control type:**

thermostat

**27. Service accessibility:**

Trough the frontal panel

**28. Safety thermocouple:**

Yes

# Technical data sheet

Technical parameters



## Multi-function fixed braising pan gas 20 l TOP

**Model**

**SAP Code**

00000159

**29. Adjustable feet:**

Yes

**33. Drain:**

No

**30. Bottom thickness:**

16.00

**34. Width of internal part [mm]:**

505

**31. Bottom material:**

Stainless steel - suitable for cooking, easy maintenance

**35. Depth of internal part [mm]:**

410

**32. Type of pan:**

Removable

**36. Height of internal part [mm]:**

100