

# Technical data sheet

## Product features



### Cooking range electric with static electric oven GN 2/1 - 4x plate 400 V

|              |                 |          |
|--------------|-----------------|----------|
| <b>Model</b> | <b>SAP Code</b> | 00000305 |
|--------------|-----------------|----------|



- Device type: Electric unit
- Power consumption of the zone 1 [kW]: 3,5
- Power consumption of the zone 2 [kW]: 3,5
- Power consumption of the zone 3 [kW]: 3,5
- Power consumption of the zone 4 [kW]: 3,5
- Type of internal part of the appliance 1 (eg oven): Electric
- Type of internal part of the appliance 2 (eg oven): Static
- Protection of controls: IPX5
- Material: AISI 304

|   |                    |   |          |
|---|--------------------|---|----------|
| <b>SAP Code</b>                             | 00000305           | <b>Power consumption of the zone 2 [kW]</b>               | 3,5      |
| <b>Net Width [mm]</b>                       | 800                | <b>Power consumption of the zone 3 [kW]</b>               | 3,5      |
| <b>Net Depth [mm]</b>                       | 900                | <b>Power consumption of the zone 4 [kW]</b>               | 3,5      |
| <b>Net Height [mm]</b>                      | 900                | <b>Type of internal part of the appliance 1 (eg oven)</b> | Electric |
| <b>Net Weight [kg]</b>                      | 126.00             | <b>Type of internal part of the appliance 2 (eg oven)</b> | Static   |
| <b>Power electric [kW]</b>                  | 20.700             | <b>Width of internal part [mm]</b>                        | 680      |
| <b>Loading</b>                              | 400 V / 3N - 50 Hz | <b>Depth of internal part [mm]</b>                        | 730      |
| <b>Number of zones</b>                      | 4                  | <b>Height of internal part [mm]</b>                       | 340      |
| <b>Power consumption of the zone 1 [kW]</b> | 3,5                | <b>Diameter of device [mm]</b>                            | 300      |

# Technical data sheet

Technical drawing

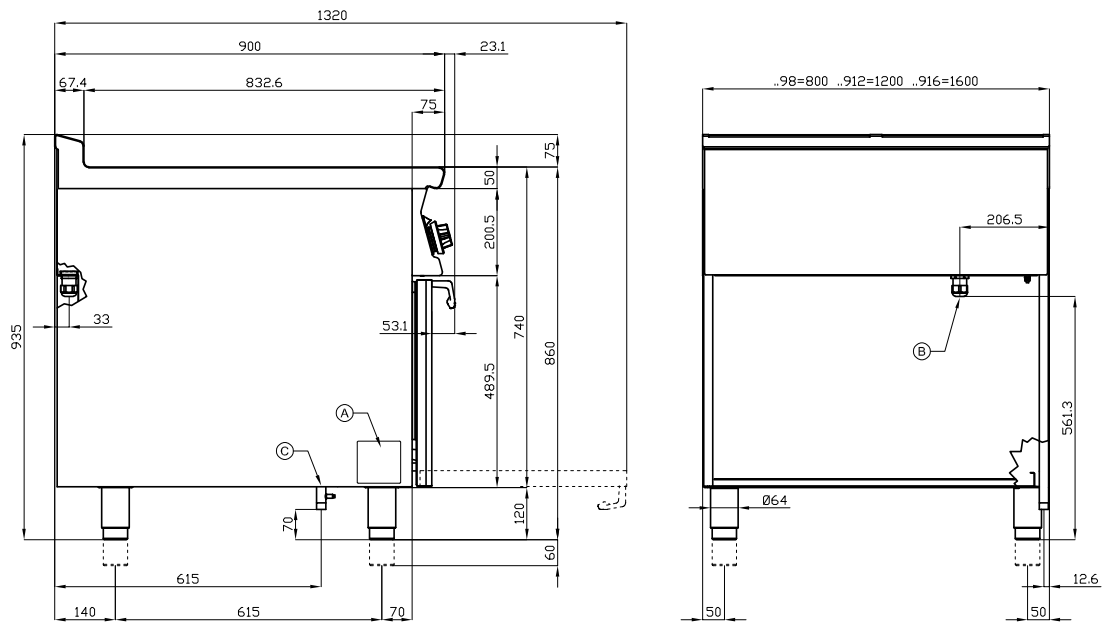


Cooking range electric with static electric oven GN 2/1 - 4x plate 400 V

Model

SAP Code

00000305



|   |            |   |                       |
|---|------------|---|-----------------------|
| A | Data plate | B | Electrical connection |
|---|------------|---|-----------------------|

# Technical data sheet

## Product benefits



### Cooking range electric with static electric oven GN 2/1 - 4x plate 400 V

Model

SAP Code

0000305

1

#### Internal thermostatic plate protection

longer service life of the plates  
– no overheating of the plates and no cracking

2

#### Degree of protection of the control elements IPX5

maintenance-free system  
resistance to splash water  
long life  
– savings on service interventions  
– easy cleaning and maintenance of equipment

3

#### All-stainless design

the material does not cut  
wear resistance of the material  
long life  
– savings on service interventions  
– easy cleaning and maintenance of equipment

4

#### Hygienic moldings of the top plate

absence of sharp corners and edges (potential places where dirt could stick)  
smooth transitions  
– easy quick cleaning

5

#### Large oven with four rack positions with static cooking

static baking  
high capacity and variability  
all-stainless design  
– suitable for yeast dishes and desserts  
– long service life  
– easy to clean

# Technical data sheet

Technical parameters



## Cooking range electric with static electric oven GN 2/1 - 4x plate 400 V

**Model**

**SAP Code**

00000305

**1. SAP Code:**

00000305

**2. Net Width [mm]:**

800

**3. Net Depth [mm]:**

900

**4. Net Height [mm]:**

900

**5. Net Weight [kg]:**

126.00

**6. Gross Width [mm]:**

830

**7. Gross depth [mm]:**

970

**8. Gross Height [mm]:**

1110

**9. Gross Weight [kg]:**

142.00

**10. Device type:**

Electric unit

**11. Construction type of device:**

With substructure

**12. Power electric [kW]:**

20.700

**13. Loading:**

400 V / 3N - 50 Hz

**14. Protection of controls:**

IPX5

**15. Device color:**

Stainless steel

**16. Material:**

AISI 304

**17. Worktop type:**

Molded - comfortable cleaning maintenance

**18. Worktop material:**

AISI 304

**19. Worktop Thickness [mm]:**

2.00

**20. Device heating type:**

Static baking

**21. Number of zones:**

4

**22. Power consumption of the zone 1 [kW]:**

3,5

**23. Power consumption of the zone 2 [kW]:**

3,5

**24. Power consumption of the zone 3 [kW]:**

3,5

**25. Power consumption of the zone 4 [kW]:**

3,5

**26. Maximum device temperature [°C]:**

300

**27. Minimum device temperature [°C]:**

50

**28. Number of power control stages:**

6

# Technical data sheet

Technical parameters



## Cooking range electric with static electric oven GN 2/1 - 4x plate 400 V

**Model**

**SAP Code**

00000305

**29. Service accessibility:**

From the front by removing the front panel and waste fluid containers

**30. Safety thermostat:**

Yes

**31. Safety thermostat up to x ° C:**

360

**32. Adjustable feet:**

Yes

**33. Number of burners/hot plates:**

4

**34. Diameter of device [mm]:**

300

**35. Type of electric cooking zones:**

Oval

**36. Oven Type:**

electrical static

**37. Oven size:**

GN 2/1

**38. Oven material:**

Stainless steel

**39. Type of internal part of the appliance 1 (eg oven):**

Electric

**40. Type of internal part of the appliance 2 (eg oven):**

Static

**41. Width of internal part [mm]:**

680

**42. Depth of internal part [mm]:**

730

**43. Height of internal part [mm]:**

340

**44. Gasket:**

Yes

**45. Maximum temperature of the inner chamber [°C]:**

300

**46. Minimum temperature of the inner chamber [°C]:**

50

**47. Number of internal parts:**

4