

Technical data sheet

Product features



Bain marie trolley electric GN 4-1/1 controllers on longer side with rack

Model	SAP Code	00000079
--------------	-----------------	----------



- Drain: Yes
- Material: AISI 304 top plate, AISI 430 cladding
- Protection of controls: IPX4
- Maximum device temperature [°C]: 90

SAP Code	00000079	Power electric [kW]	2.800
Net Width [mm]	1601	Loading	230 V / 1N - 50 Hz
Net Depth [mm]	675	Number of GN / EN	4
Net Height [mm]	905	GN / EN size in device	GN 1/1
Net Weight [kg]	69.00	GN device depth	200

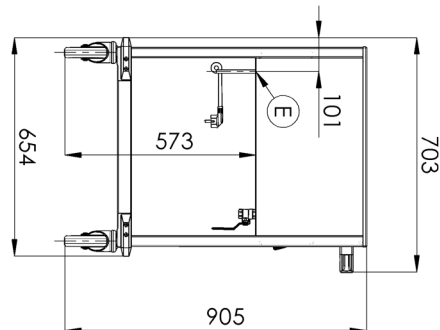
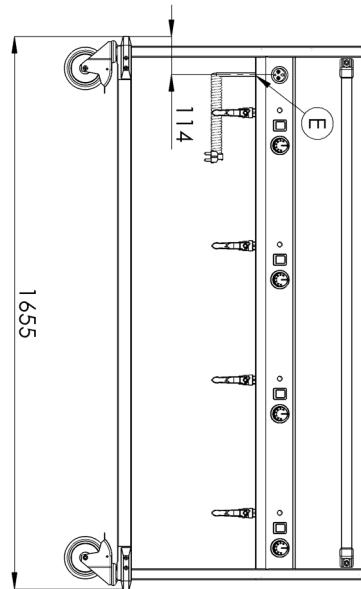
Technical data sheet

Technical drawing



Bain marie trolley electric GN 4-1/1 controllers on longer side with rack

Model	SAP Code	0000079
--------------	-----------------	---------



Technical data sheet

Product benefits



Bain marie trolley electric GN 4-1/1 controllers on longer side with rack

Model	SAP Code	00000079
--------------	-----------------	----------

1

Shelf

- greater strength
- more stability
 - storage space

2

Braked wheels

- easy to control
- more comfort for the operator
 - safety
 - stability

3

Deep-draft bathtubs

- basins without sharp transitions, edges and corners
- easy maintenance
 - perfect sanitation

4

Controlling each bath separately

- variability of use
- possibility to keep different foods at different temperatures

5

All-stainless steel construction

- variability of use
- perfect sanitation
 - long service life

6

Drain valve under the bathtub

- safer placement of the drain valve
- valve positioning prevents unintentional contact and possible scalding

7

Handrail

- handle made of robust stainless steel tube
possibility of placement on the shorter or longer side
- easy handling of the dispensing tub

Technical data sheet

Technical parameters



Bain marie trolley electric GN 4-1/1 controllers on longer side with rack

Model	SAP Code
	00000079

1. SAP Code:

00000079

2. Article group:

Bain Maries

3. Net Width [mm]:

1601

4. Net Depth [mm]:

675

5. Net Height [mm]:

905

6. Net Weight [kg]:

69.00

7. Gross Width [mm]:

730

8. Gross depth [mm]:

1700

9. Gross Height [mm]:

1010

10. Gross Weight [kg]:

70.00

11. Device type:

Electric unit

12. Construction type of device:

On wheels

13. Power electric [kW]:

2.800

14. Loading:

230 V / 1N - 50 Hz

15. Protection of controls:

IPX4

16. Device color:

Stainless steel

17. Material:

AISI 304 top plate, AISI 430 cladding

18. Maximum device temperature [°C]:

90

19. Minimum device temperature [°C]:

30

20. Adjustable feet:

No

21. Drain:

Yes

22. Number of GN / EN:

4

23. GN / EN size in device:

GN 1/1

24. GN device depth:

200