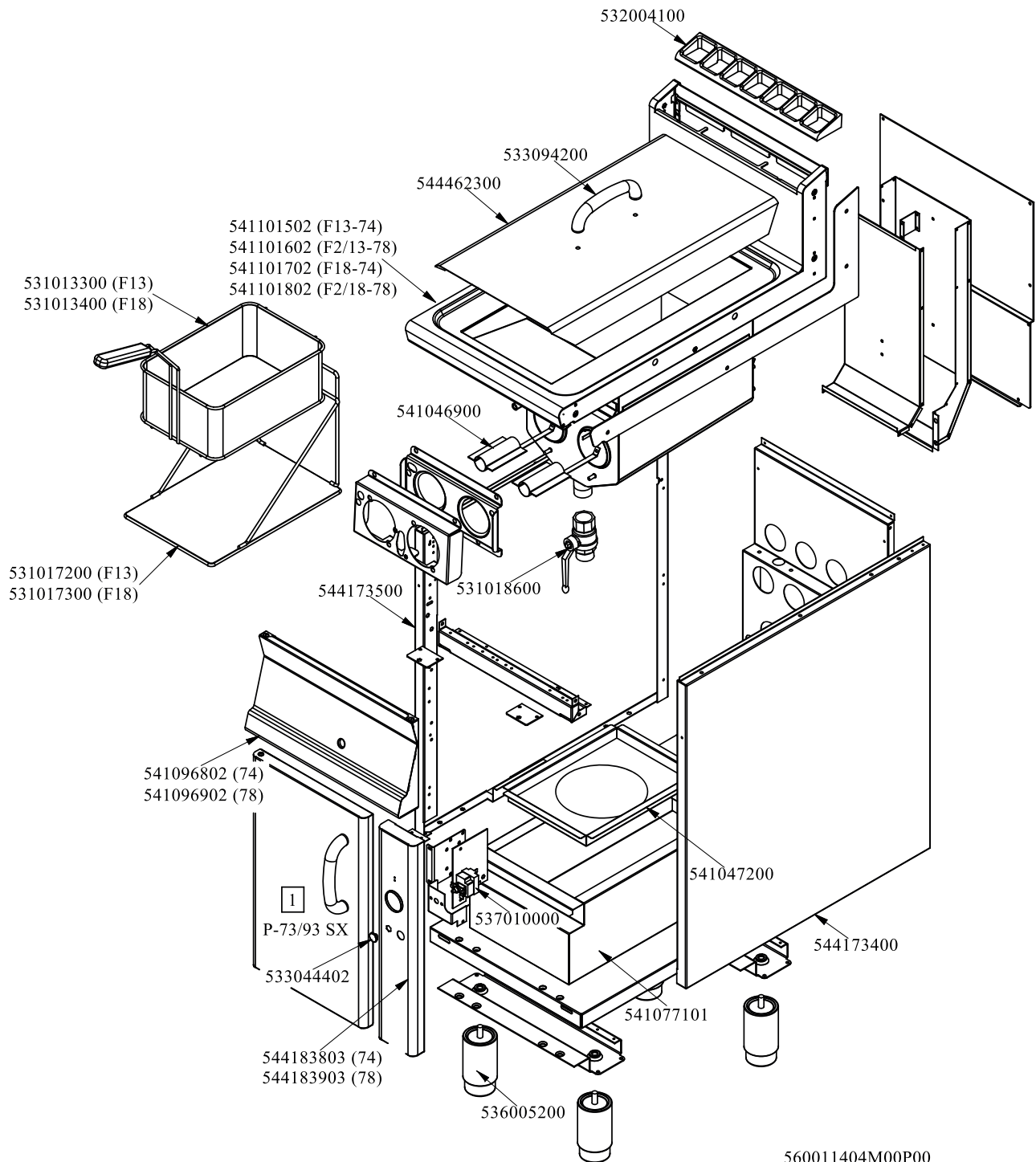


RM 700

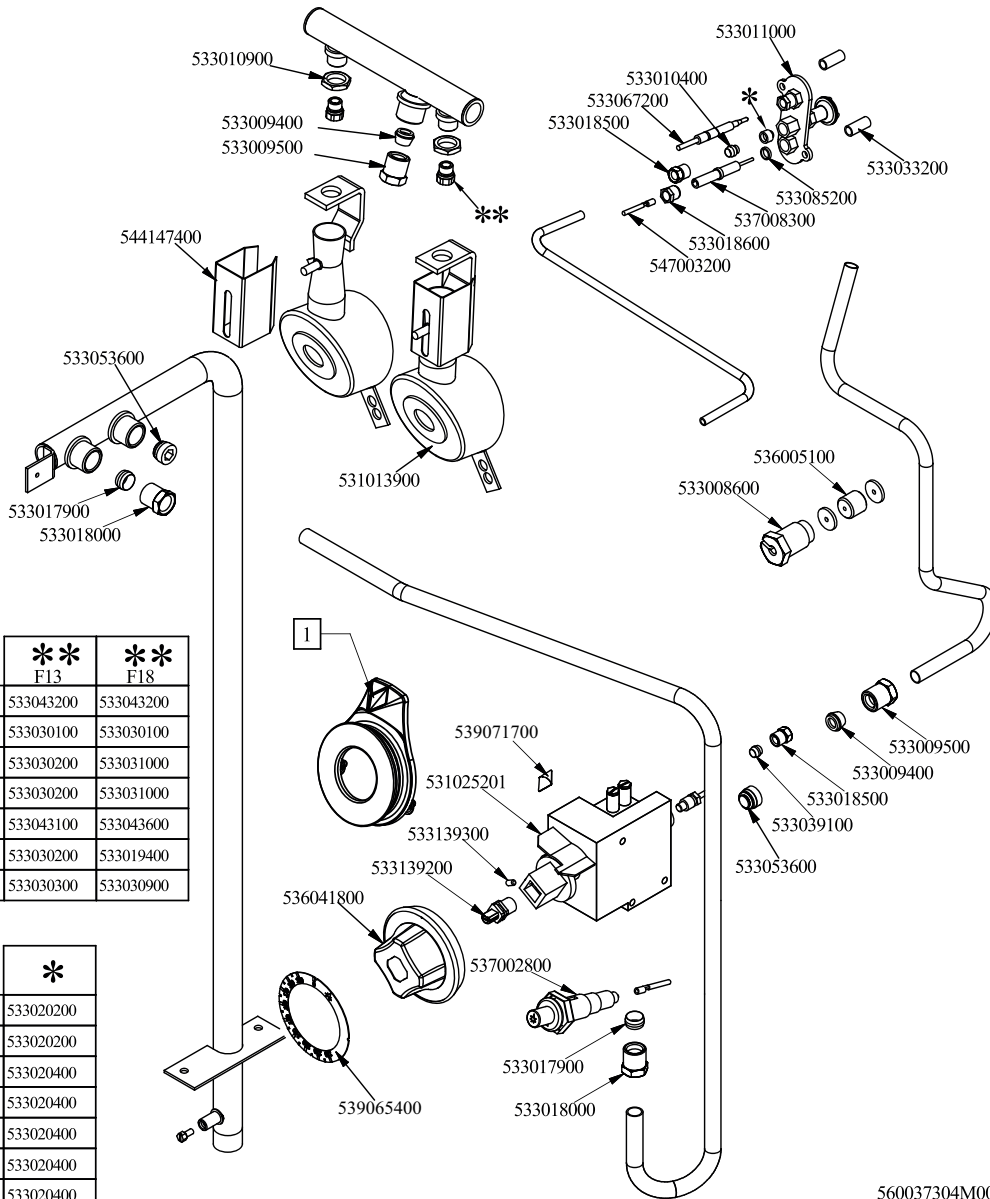
Platný od 1.5. 2019

F18-74G, F13-74G





Objednací kód	Popis v ENG
533094200	S/S HANDLE FOR 70/90 SERIES
544462300	TANK LID FOR F-70
531018600	BALL VALVE 1"G M-F CPM-62G
544173500	LEFT SIDE PANEL S.70
532004100	FLUE GRID L=370 90LINE (RAF)
544173400	RIGHT SIDE PANEL S.70
536005200	INOX LEG 2" 120-180 M10
541047200	FILTER FOR DRIP TRAY
541046900	HEAT ACCUMULATOR FMG-10-2/10
537010000	SAFETY THERMOSTAT 220°C SINGLEPHASE
533044402	M8 THREADED CAP FOR SEC.THERMOSTAT
541077101	BASIN FOR OIL COLLECTOR 19LT
544183803	
541096802	
531017300	TANK FILTER/BASKET SUPPORT FMG15/18
531013400	FRYER BASKET 15LTS.GAS/ELECTRIC
541101702	
-	-



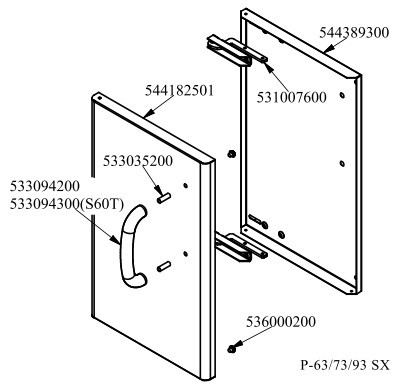
	**	**
	F13	F18
G30-28+30mbar		
G31-32mbar	533043200	533043200
G30-50mbar	533030100	533030100
G20-20mbar	533030200	533031000
G25-25mbar	533030200	533031000
G20-20mbar DE-AT		
G25-20mbar	533043100	533043600
G25-25mbar NL	533030200	533019400
G20-25mbar	533030300	533030900

	*
G30-28+30mbar	
G31-32mbar	533020200
G30-50mbar	533020200
G20-20mbar	533020400
G25-25mbar	533020400
G20-20mbar DE-AT	533020400
G25-20mbar	533020400
G25-25mbar NL	533020400
G20-25mbar	533020400

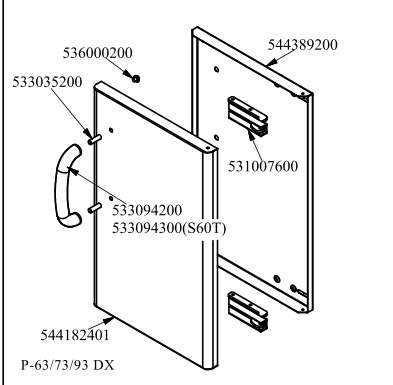
560037304M00P00



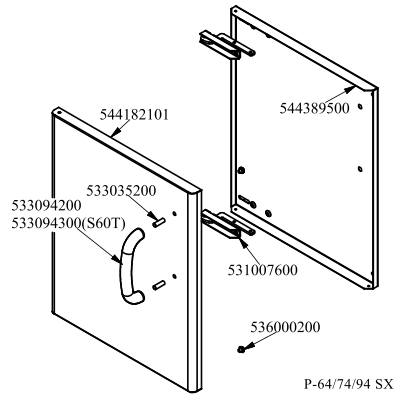
Objednačí kód	Popis v ENG
533043200	NOZZLE §110 G30 (LPG) CH12X14
533030100	NOZZLE §95 CH12*14 G-FP
533030200	NOZZLE §170 CH12*14 MH-FG L-FP/CW
533043100	NOZZLE §185 G25 CH12X14
533030300	NOZZLE §160 CH12*14 M-FPG
533031000	NOZZLE §175 CH12X14
533043600	NOZZLE §200 CH12*14 L-PC4 UR
533019400	NOZZLE §180 CH12*14 L-FQ5
533030900	NOZZLE §165 CH12X14 H-CW
533020200	PILOT JETS 0160 FOR LPG §30
533020400	NOZZLE 0160 (NATURAL GAS) 51
533018500	FITTING FOR BICONE D.6 M10*1
533067200	THERMOCOUPLE 220+500 M9*1 CUT-OFF
533010400	BICONE D.6
547003200	HIGH-VOLTAGE CABLE TUBE.§2 L=500
533018600	PLUG FITTING
537008300	ROUND PLUG §2,4- LONG ELECTRODE
533085200	SPACER FOR PILOT PLUG
533011000	PILOT BURNER 3 FLAMES 320
533033200	PILOT SPACER
544147400	AIR ADJUSTMENT BUSHING FMG-FQ
531013900	BURNER FMG-10/15
533009400	BICONE 10S
533009500	NIPPLE FOR BICONE 10S
533010900	NUT M14*1 H.4
533053600	EUROSIT VALVE PLUG
533039100	BICONE §6
533139300	BURNISH HEADLESS SCREW M05*05 PCEI
531025201	EUROSIT VALVE FQ 110-190°C
533017900	BICONE D.12
537002800	PIEZOELECTRIC IGNITION M18 WITH NUT
533139200	SHORT PIVOT FOR BRASS KNOB
539071700	ADHES.LABEL FOR RING GREEN SIGN.
536041800	SILVER CHROM. KNOB Ø77 4P.G.Ø08X6,5
536005100	GRAPHITE §07,4 GASKET
533008600	STUFFING BOX M9*1
533018000	ELBOW FOR BICONE D.12 3/8 RS L20
539065400	BLACK STICKING DISK 72 (110,190°)
-	-



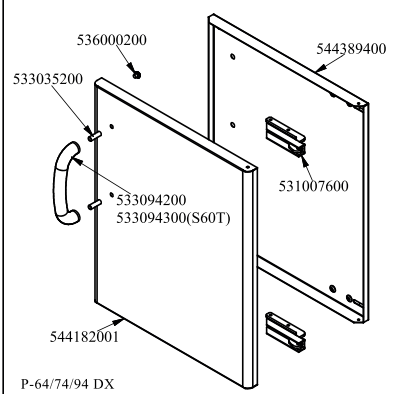
P-63/73/93 SX



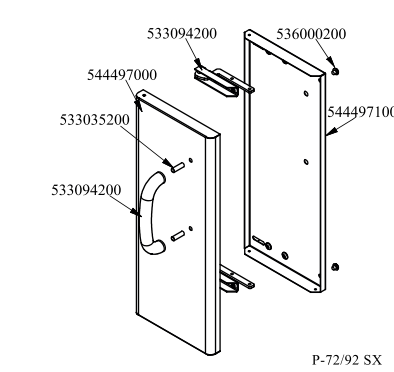
P-63/73/93 DX



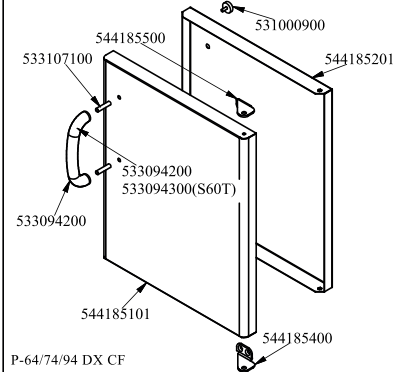
P-64/74/94 SX



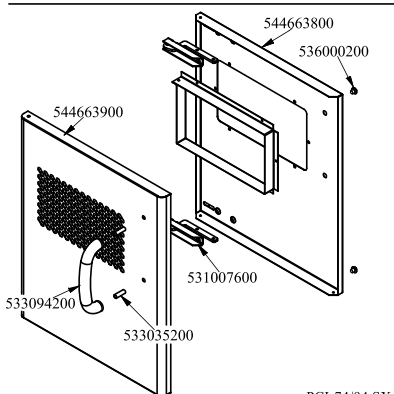
P-64/74/94 DX



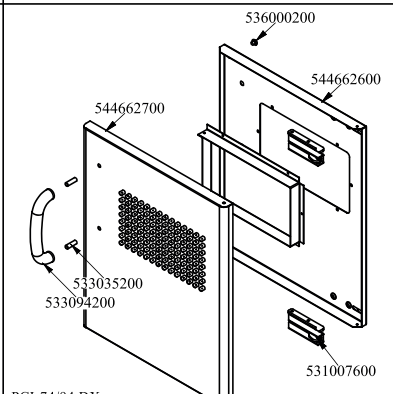
P-72/92 SX



P-64/74/94 DX CF



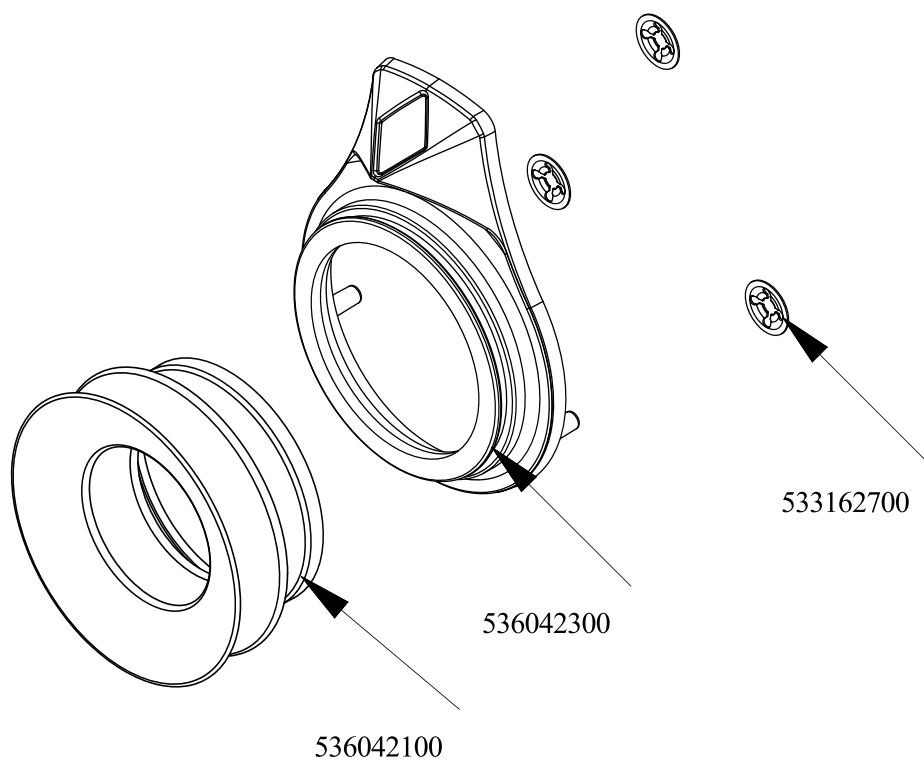
PCI-74/94 SX



PCI-74/94 DX



Objednačí kód	Popis v ENG
544185101	RIGHT DOOR 74 CF
533107100	HANDLE SPACER OF CF-70
533094200	S/S HANDLE FOR 70/90 SERIES
544185400	LOWER DOOR HINGE FOR COMPARTME CF70
544185500	UPPER DOOR HINGE FOR COMPARTME CF70
544185201	INNER DOOR * 74DX
531000900	MAGNET §22 KG.3 WITH DISK
536000200	D.12 H.4 BUMPER
544182001	RIGHT DOOR 74
531007600	DOOR HINGE
544389400	
533035200	HANDLE SPACER
544182101	LEFT DOOR 74
544389500	INNER-DOOR OF LHD 74
544182401	RIGHT DOOR 73
544389200	
544389300	
544182501	LEFT DOOR 73
544497000	
544497100	
544663900	LHD 74 DOOR FOR PCI
544663800	74 LHD OVEN INNER DOOR FOUR PCI
544662700	DOOR 74 DX PCI
544662600	
533094300	S/S HANDLE FOR 600T.LINE



560125700M00P00



Objednací kód	Popis v ENG
536042300	SILVER CHROM. RING FOR KNOB Ø77 4 P
536042100	SEAL CASING FOR KNOB Ø77 4 P
533162700	PROCESSING CODE

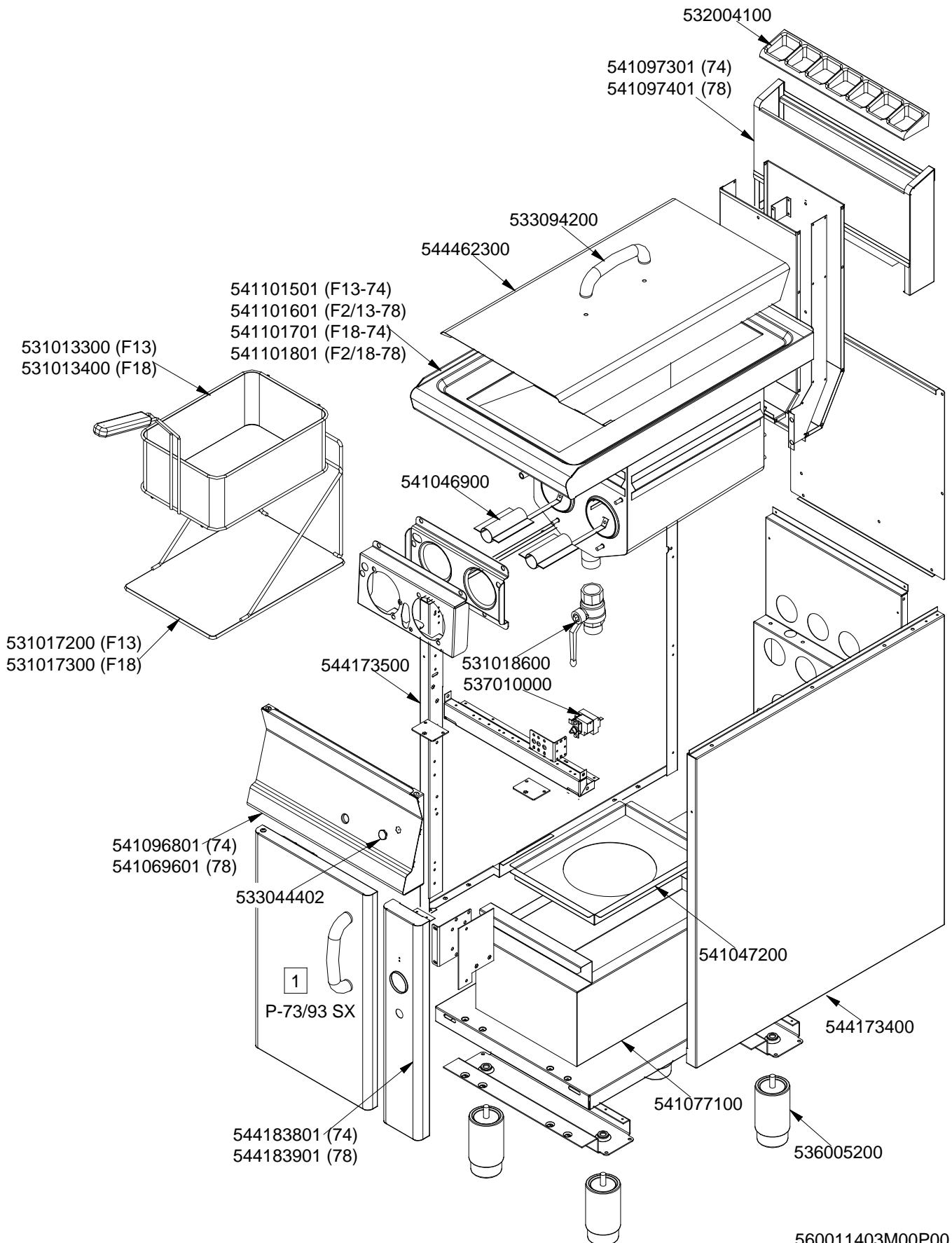


F13 - 74 G, F2/13 - 78 G, F18 - 74 G, F2/18 - 78 G

od 1304

Platný od 1.5.2016

do 30.4.2019



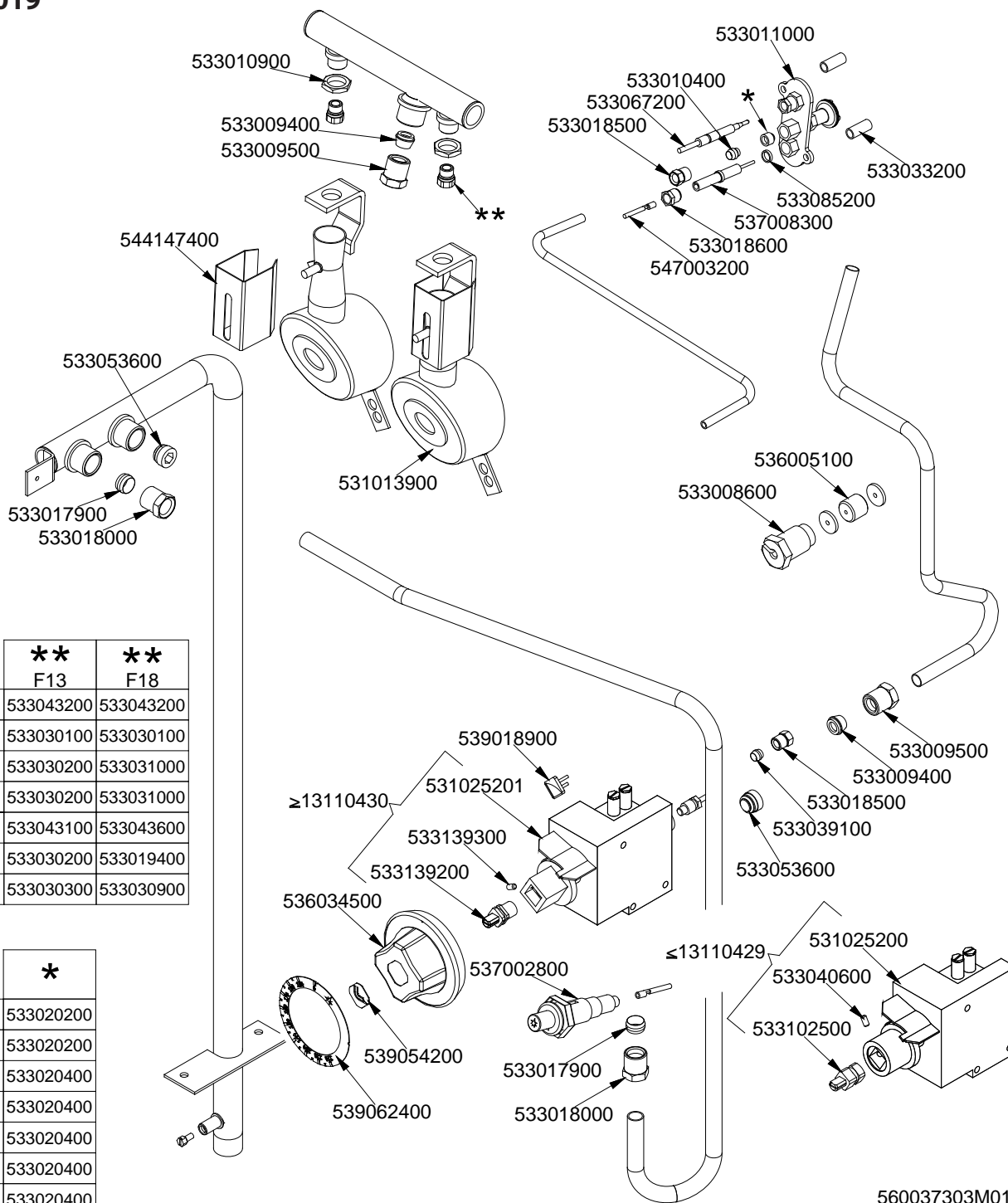


F13 - 74 G, F2/13 - 78 G, F18 - 74 G, F2/18 - 78 G

od 1304

Platný od 1.5.2016

do 30.4.2019



	**	**
	F13	F18
G30-28+30mbar	533043200	533043200
G31- 37mbar		
G30- 50mbar	533030100	533030100
G20- 20mbar	533030200	533031000
G25- 25mbar		
G20- 20mbar	533030200	533031000
DE-AT		
G25- 20mbar	533043100	533043600
G25- 25mbar	533030200	533019400
NL		
G20- 25mbar	533030300	533030900

	*
G30-28+30mbar	533020200
G31- 37mbar	
G30- 50mbar	533020200
G20- 20mbar	533020400
G25- 25mbar	
G20- 20mbar	533020400
DE-AT	
G25- 20mbar	533020400
G25- 25mbar	533020400
NL	
G20- 25mbar	533020400

560037303M01P00

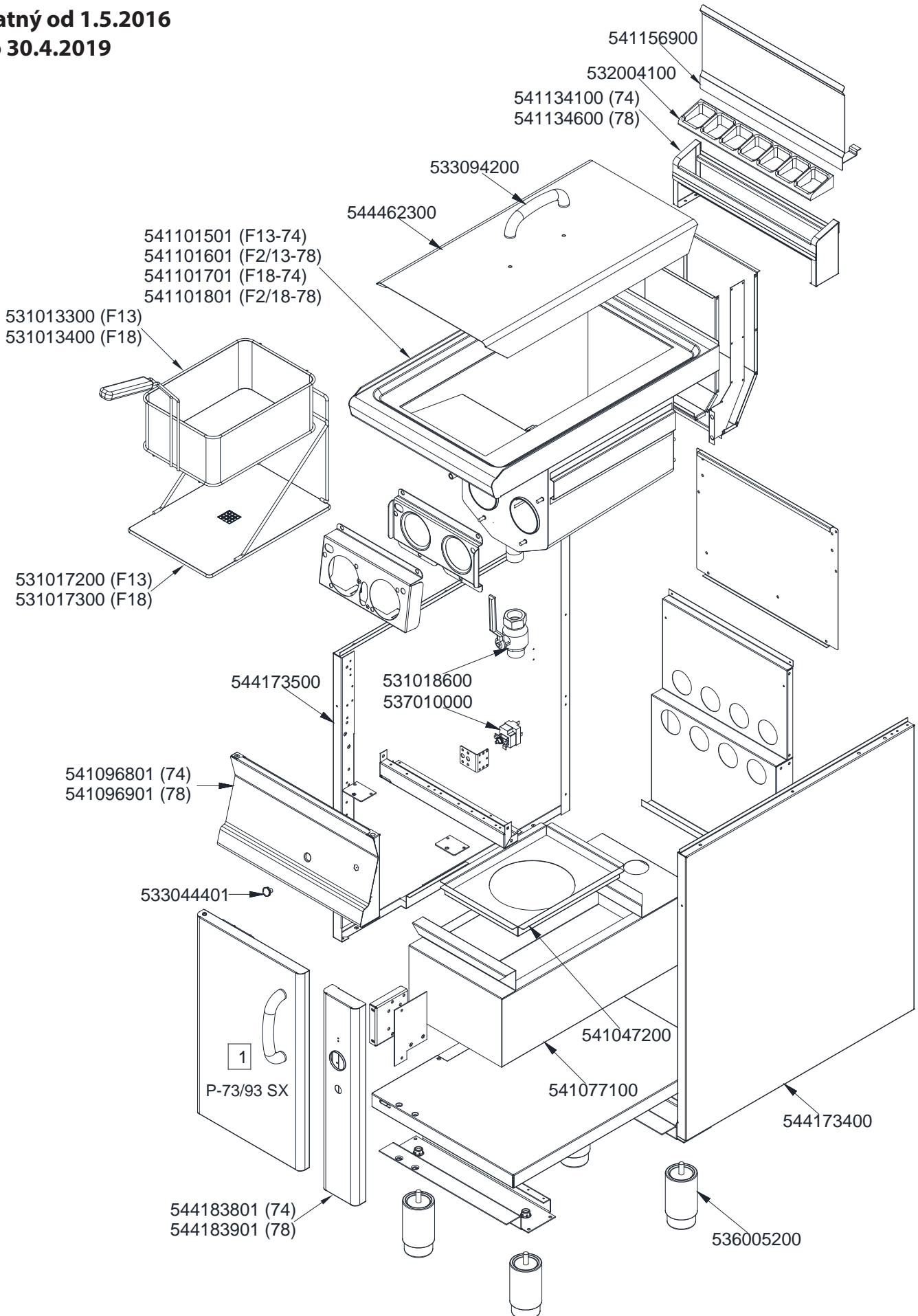


F13 - 74 G, F2/13 - 78 G, F18 - 74 G, F2/18 - 78 G

do 1303

Platný od 1.5.2016

do 30.4.2019



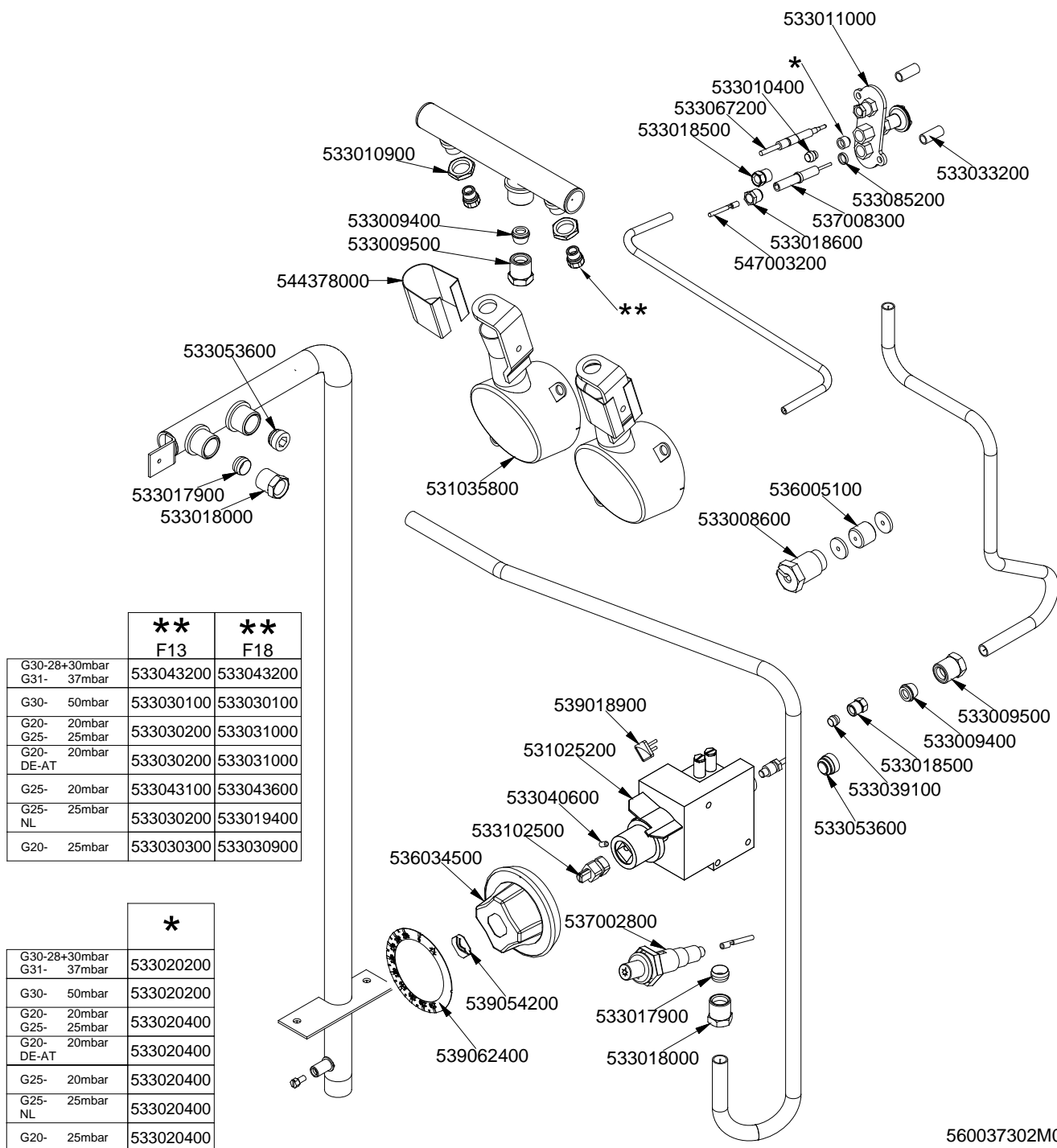


F13 - 74 G, F2/13 - 78 G, F18 - 74 G, F2/18 - 78 G

do 1303

Platný od 1.5.2016

do 30.4.2019



	** F13	** F18
G30-28+30mbar G31- 37mbar	533043200	533043200
G30- 50mbar	533030100	533030100
G20- 20mbar G25- 25mbar	533030200	533031000
G20- 20mbar DE-AT	533030200	533031000
G25- 20mbar	533043100	533043600
G25- 25mbar NL	533030200	533019400
G20- 25mbar	533030300	533030900

	*
G30-28+30mbar G31- 37mbar	533020200
G30- 50mbar	533020200
G20- 20mbar G25- 25mbar	533020400
G20- 20mbar DE-AT	533020400
G25- 20mbar	533020400
G25- 25mbar NL	533020400
G20- 25mbar	533020400

560037302M01P00

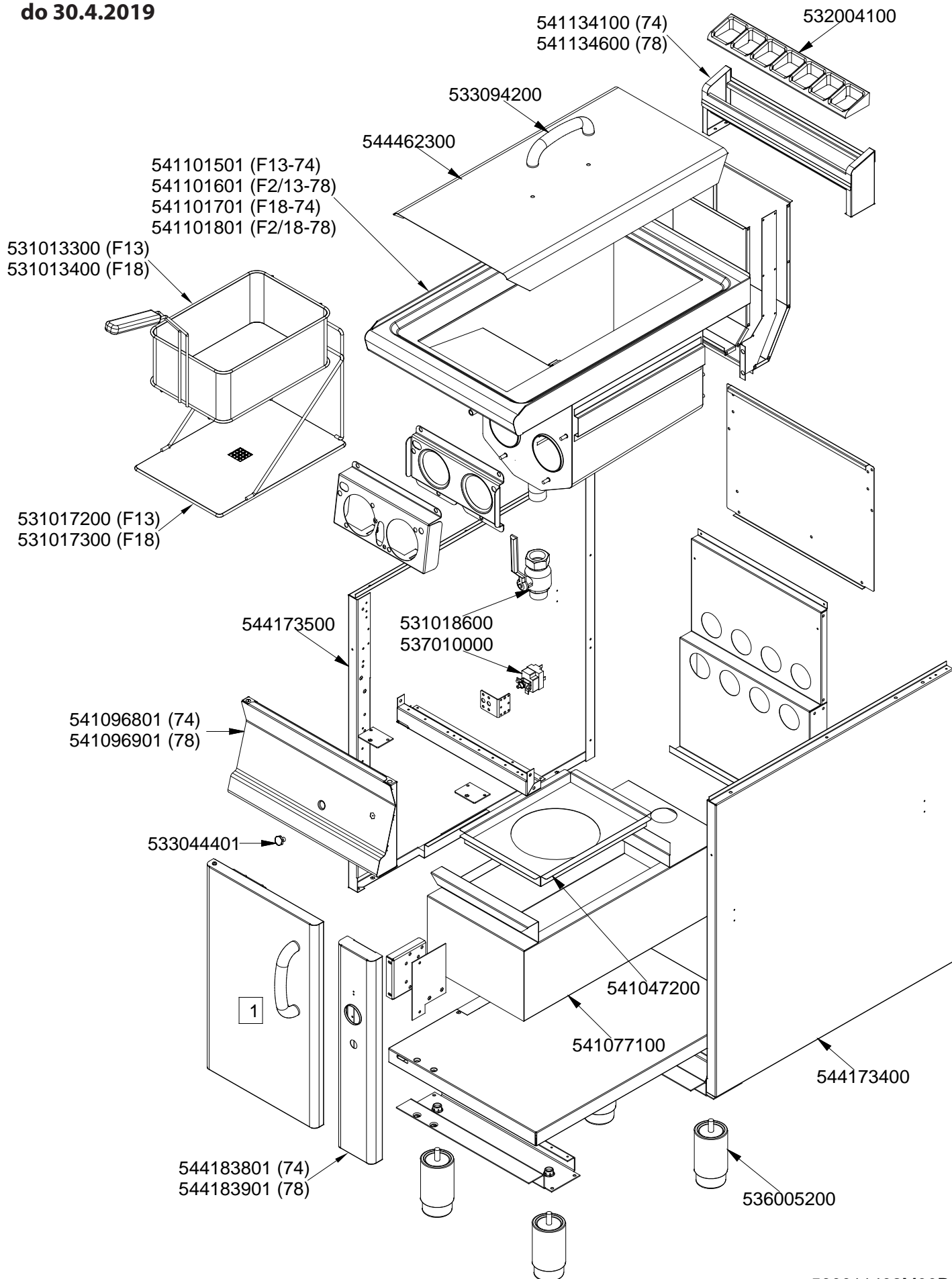


F13 - 74 G, F2/13 - 78 G, F18 - 74 G, F2/18 - 78 G

do 07040644

Platný od 1.5.2016

do 30.4.2019



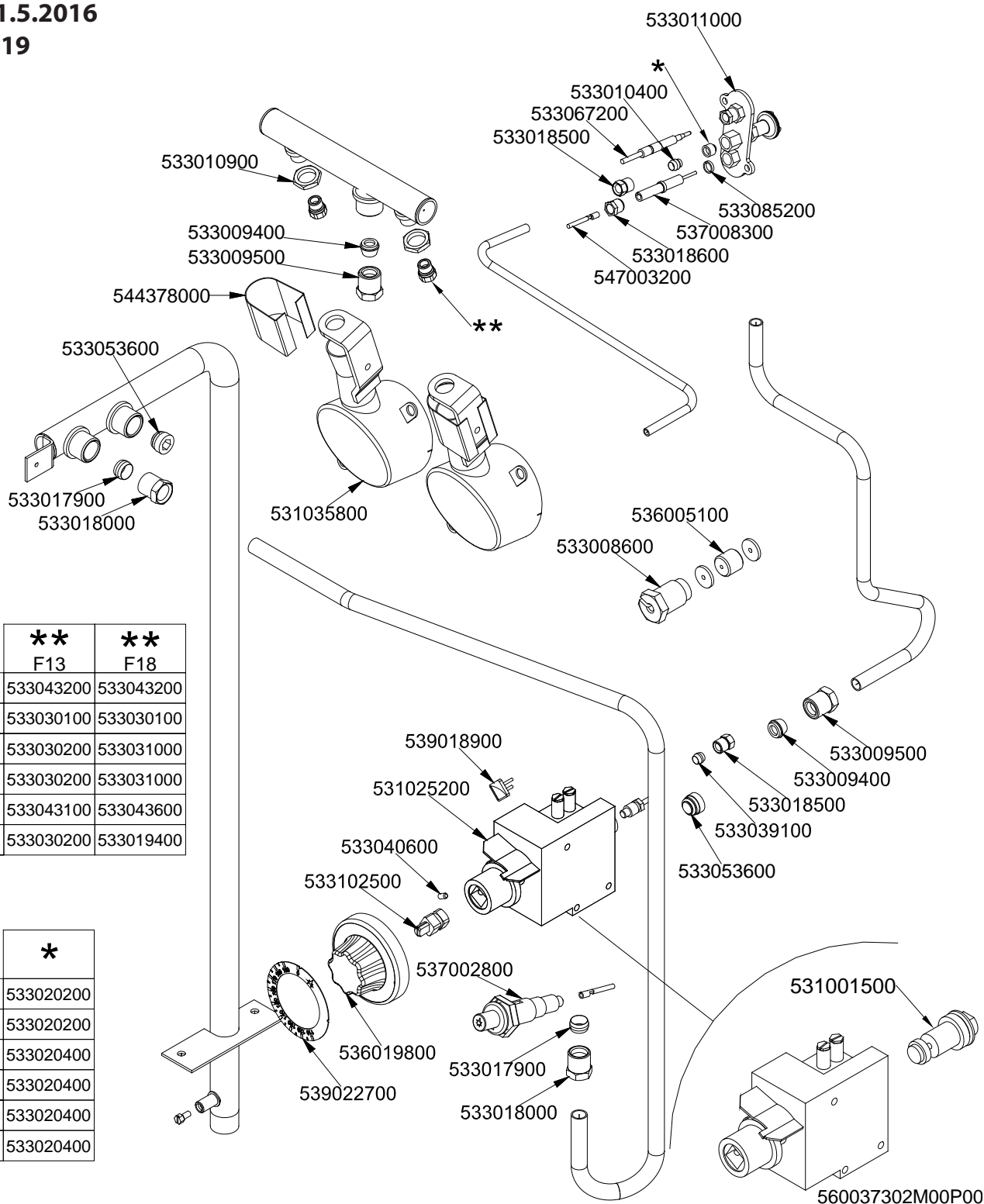


F13 - 74 G, F2/13 - 78 G, F18 - 74 G, F2/18 - 78 G

do 07040644

Platný od 1.5.2016

do 30.4.2019



	**	**
	F13	F18
G30-28+30mbar G31- 37mbar	533043200	533043200
G30- 50mbar	533030100	533030100
G20- 20mbar G25- 25mbar	533030200	533031000
G20- 20mbar DE-AT	533030200	533031000
G25- 20mbar	533043100	533043600
G25- 25mbar NL	533030200	533019400

	*
G30-28+30mbar G31- 37mbar	533020200
G30- 50mbar	533020200
G20- 20mbar G25- 25mbar	533020400
G20- 20mbar DE-AT	533020400
G25- 20mbar	533020400
G25- 25mbar NL	533020400

560037302M00P00

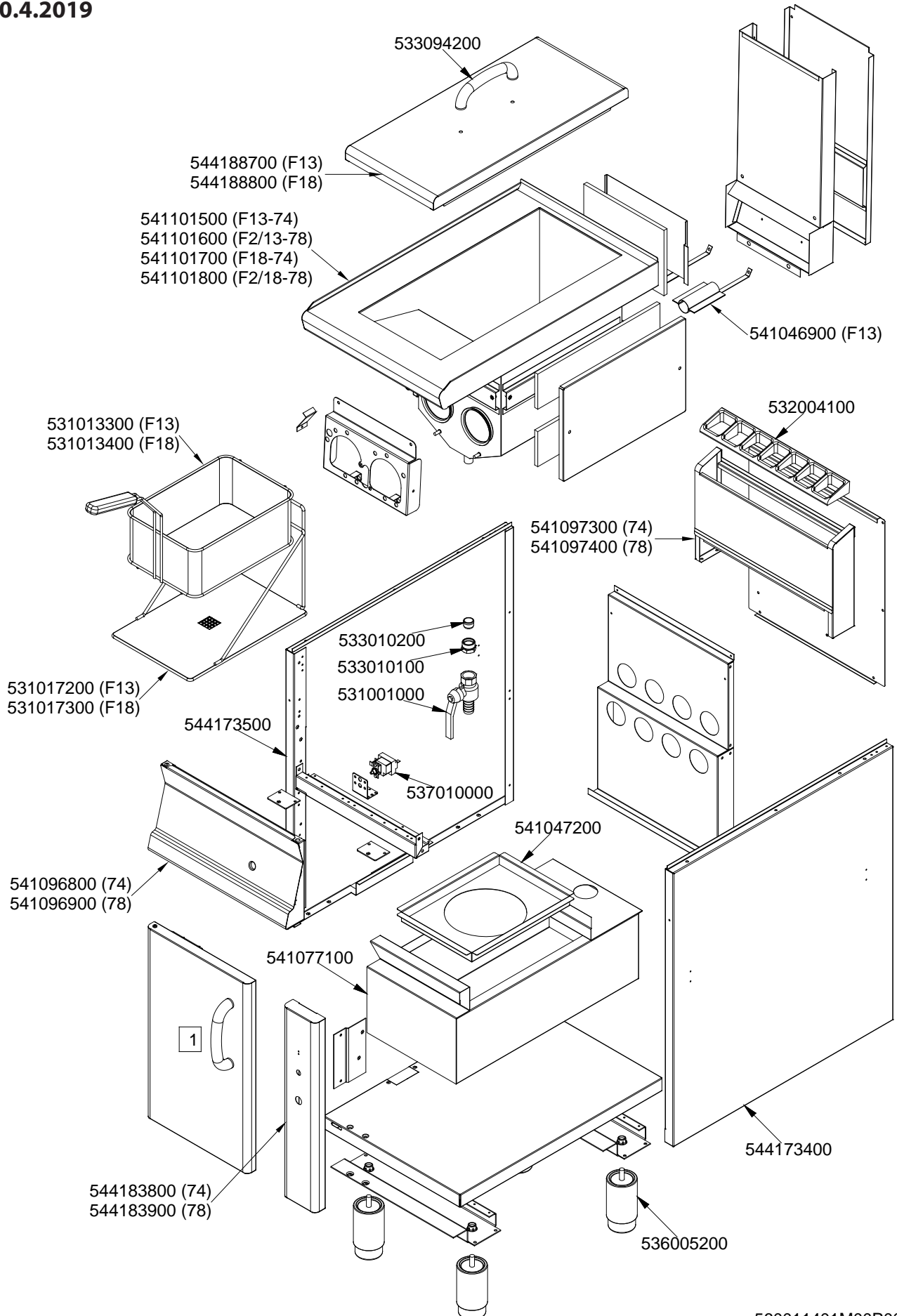


F13 - 74 G, F2/13 - 78 G, F18 - 74 G, F2/18 - 78 G

do 07040643

Platný od 1.5.2016

do 30.4.2019



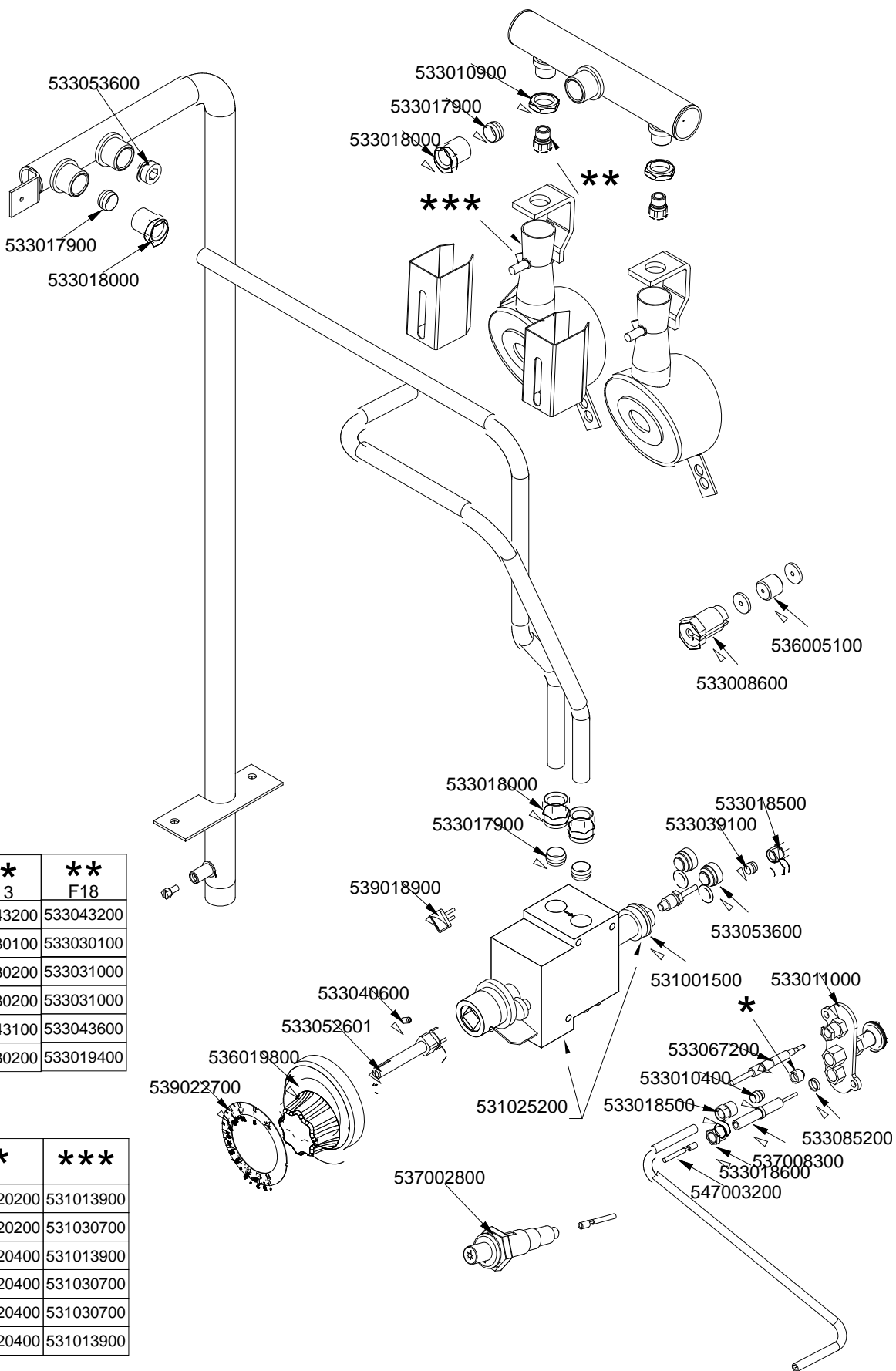


F13 - 74 G, F2/13 - 78 G, F18 - 74 G, F2/18 - 78 G

do 07040643

Platný od 1.5.2016

do 30.4.2019



	**	**
	F13	F18
G30-28+30mbar	533043200	533043200
G31- 37mbar	533043200	533043200
G30- 50mbar	533030100	533030100
G20- 20mbar	533030200	533031000
G25- 25mbar	533030200	533031000
G20- 20mbar	533030200	533031000
DE-AT	533030200	533031000
G25- 20mbar	533043100	533043600
G25- 25mbar	533030200	533019400
NL	533030200	533019400

	*	***
G30-28+30mbar	533020200	531013900
G31- 37mbar	533020200	531013900
G30- 50mbar	533020200	531030700
G20- 20mbar	533020400	531013900
G25- 25mbar	533020400	531013900
G20- 20mbar	533020400	531030700
DE-AT	533020400	531030700
G25- 20mbar	533020400	531030700
G25- 25mbar	533020400	531013900
NL	533020400	531013900



F13 - 74 G, F2/13 - 78 G, F18 - 74 G, F2/18 - 78 G

(1)

Platný od 1.5.2016

do 30.4.2019

