

# Technical data sheet

## Product features



### Cooking range solid top gas 3x burner on open cabinet

|              |                 |          |
|--------------|-----------------|----------|
| <b>Model</b> | <b>SAP Code</b> | 00004653 |
|--------------|-----------------|----------|



- Device type: Gas unit
- Power consumption of the zone 1 [kW]: 12
- Power consumption of the zone 2 [kW]: 7,5
- Power consumption of the zone 3 [kW]: 5,5
- Ignition: Piezo+večný plamen
- Protection of controls: IPX5
- Material: Stainless steel

|                        |          |   |                             |
|------------------------|----------|---|-----------------------------|
| <b>SAP Code</b>        | 00004653 | <b>Type of gas</b>                          | Natural gas, propane butane |
| <b>Net Width [mm]</b>  | 1200     | <b>Number of zones</b>                      | 3                           |
| <b>Net Depth [mm]</b>  | 705      | <b>Power consumption of the zone 1 [kW]</b> | 12                          |
| <b>Net Height [mm]</b> | 900      | <b>Power consumption of the zone 2 [kW]</b> | 7,5                         |
| <b>Net Weight [kg]</b> | 140.00   | <b>Power consumption of the zone 3 [kW]</b> | 5,5                         |
| <b>Power gas [kW]</b>  | 25.000   | <b>Solid top dimensions [mm x mm]</b>       | 770 x 570                   |

# Technical data sheet

Technical drawing

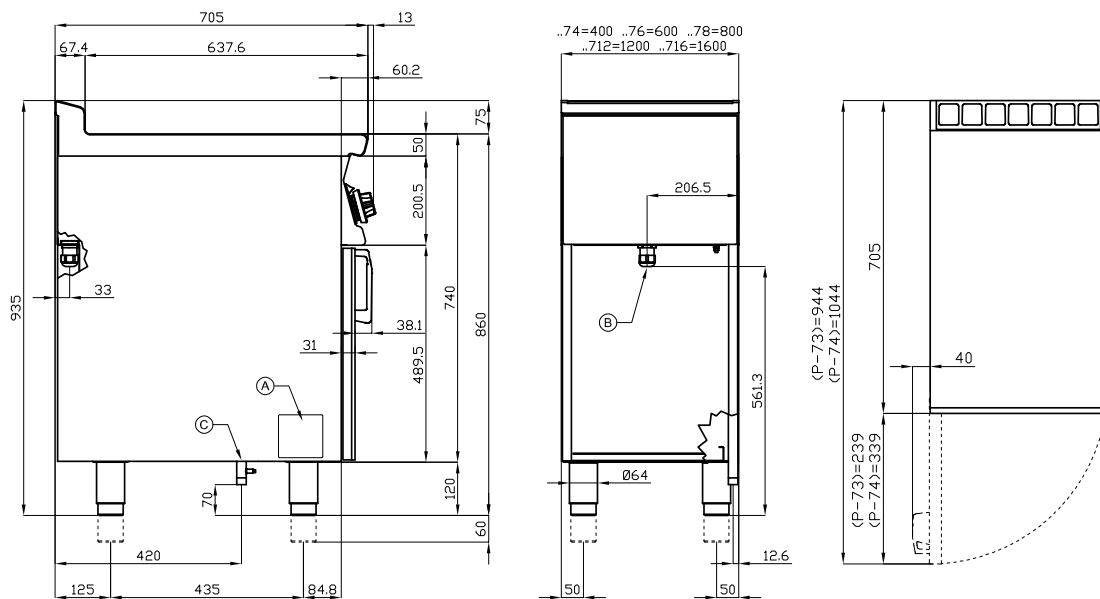


## Cooking range solid top gas 3x burner on open cabinet

Model

SAP Code

00004653



|   |            |  |   |                |                |
|---|------------|--|---|----------------|----------------|
| A | Data plate |  | C | Gas connection | ISO 7-1 3/4" M |
|---|------------|--|---|----------------|----------------|

# Technical data sheet

## Product benefits



### Cooking range solid top gas 3x burner on open cabinet

|              |                 |          |
|--------------|-----------------|----------|
| <b>Model</b> | <b>SAP Code</b> | 00004653 |
|--------------|-----------------|----------|

1

#### Massive construction of burners

high performance and efficiency  
cast iron burners removable  
long life

- energy saving (perfect combustion)
- time saving for food preparation
- easy maintenance/cleaning

2

#### Hygienic moldings of the top plate

absence of sharp corners and edges (potential places where dirt could stick)  
smooth transitions

- easy quick cleaning

3

#### Degree of protection of the control elements IPX5

maintenance-free system  
resistance to splash water  
long life

- savings on service interventions
- easy cleaning and maintenance of equipment

4

#### All-stainless design

the material does not cut  
wear resistance of the material  
long life

- savings on service interventions
- easy cleaning and maintenance of equipment

5

#### Safety element - thermocouple

safe operation for personnel  
there is no overheating and damage to the thallus  
long life

- savings on service interventions
- easier and faster operation

6

#### Piezoelectric ignition

instant flame ignition  
there is no unnecessary gas leakage  
long life

- savings on service interventions
- easier and faster operation

7

#### Massive thal

15mm material ensures even distribution of heat and heating of the product (heat several pots at the same time at the same temperature)  
material resistance  
long life

- time saving
- ease of operation
- savings on service interventions

# Technical data sheet

Technical parameters



## Cooking range solid top gas 3x burner on open cabinet

**Model**

**SAP Code**

00004653

**1. SAP Code:**

00004653

**2. Net Width [mm]:**

1200

**3. Net Depth [mm]:**

705

**4. Net Height [mm]:**

900

**5. Net Weight [kg]:**

140.00

**6. Gross Width [mm]:**

1230

**7. Gross depth [mm]:**

770

**8. Gross Height [mm]:**

1110

**9. Gross Weight [kg]:**

157.00

**10. Device type:**

Gas unit

**11. Construction type of device:**

With substructure

**12. Power gas [kW]:**

25.000

**13. Ignition:**

Piezo+večný plamen

**14. Type of gas:**

Natural gas, propane butane

**15. Protection of controls:**

IPX5

**16. Material:**

Stainless steel

**17. Worktop type:**

Molded - comfortable cleaning maintenance

**18. Worktop material:**

AISI 304

**19. Worktop Thickness [mm]:**

2.00

**20. Number of zones:**

3

**21. Power consumption of the zone 1 [kW]:**

12

**22. Power consumption of the zone 2 [kW]:**

7,5

**23. Power consumption of the zone 3 [kW]:**

5,5

**24. Number of power control stages:**

6

**25. Service accessibility:**

From the front by removing the front panel and waste fluid containers

**26. Safety element:**

thermocouple safety feature

**27. Safety thermocouple:**

Yes

**28. Adjustable feet:**

Yes

# Technical data sheet

Technical parameters



## Cooking range solid top gas 3x burner on open cabinet

|              |                 |          |
|--------------|-----------------|----------|
| <b>Model</b> | <b>SAP Code</b> | 00004653 |
|--------------|-----------------|----------|

### 29. Additional information:

door not included - can be purchased

### 30. Number of burners/hot plates:

3

### 31. Type of gas cooking zones:

Fire protection to install + Classic burners

### 32. Burner type:

Cast iron, detachable, with internal and external combustion

### 33. Solid top thickness [mm]:

15

### 34. Solid top dimensions [mm x mm]:

770 x 570

### 35. Solid top material:

chrome-molybdenum