

Technical data sheet



Product features

Model	SAP Code	00012412
FTHC 70/40 G	A group of articles - web	Grills and grill plates



- Top type: Smooth
- Griddle dimensions [mm x mm]: 396 x 510
- Griddle thickness [mm]: 12.00
- Worktop material: Chrome plated steel
- Container for liquid fat: Yes
- Maximum device temperature [°C]: 300
- Surface finish: polished chrome 0.03 mm
- Removable rim: Yes
- Ignition: Piezo + večný plamen

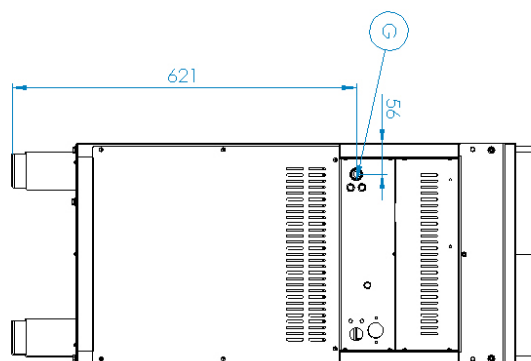
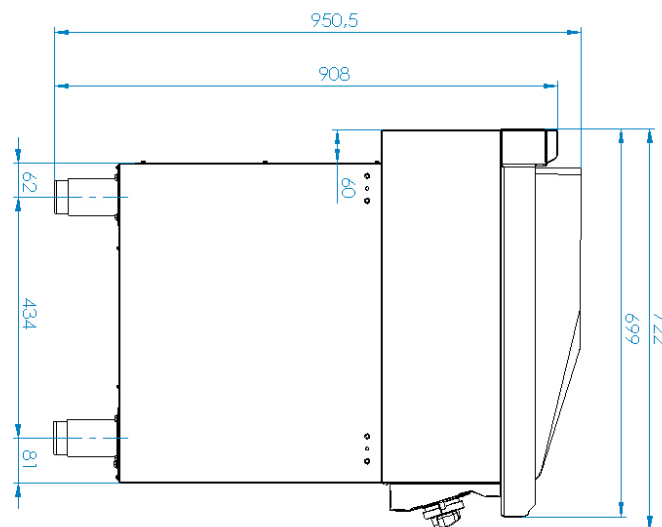
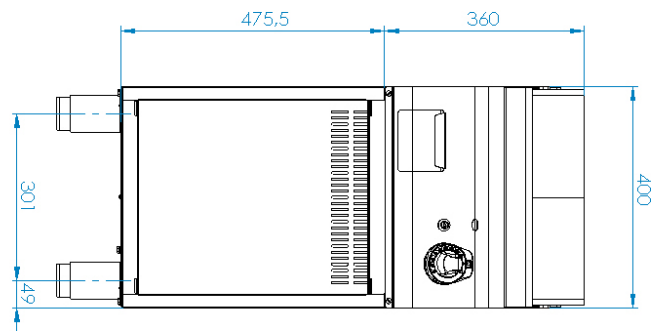
SAP Code	00012412	Power gas [kW]	7.000
Net Width [mm]	400	Type of gas	Natural gas, propane butane
Net Depth [mm]	700	Griddle dimensions [mm x mm]	396 x 510
Net Height [mm]	900	Top type	Smooth
Net Weight [kg]	49.00	Worktop type	Molded - comfortable cleaning maintenance

Technical data sheet



Technical drawing

Model	SAP Code	00012412
FTHC 70/40 G	A group of articles - web	Grills and grill plates



Technical data sheet



Product benefits

Model	SAP Code	00012412
FTHC 70/40 G	A group of articles - web	Grills and grill plates

- 1 Safety element – thermocouple**
safe service for staff
there is no unnecessary gas leakage
long life
 - savings on service interventions
 - easier and faster operation
- 2 All-stainless design**
long life
corrosion resistance of the top plate material
 - savings on service interventions
 - higher corrosion resistance
- 3 Degree of protection of the control elements IPX4**
maintenance-free system
resistance to splash water
long life
 - savings on service interventions
 - easy cleaning and maintenance of equipment
- 4 Outlet for waste liquids**
ensures that oil drips into the socket
 - easy maintenance
 - easy cleaning
- 5 High detachable hem**
better hygienic conditions
preventing grease from splashing onto ancillary equipment
 - easy maintenance
 - easy cleaning
- 6 Smooth plate made of chrome-plated steel**
the product bakes less and is easier to clean
a good warming of the meat with a groove
 - time-saving for food preparation
 - no reheating and long cooking times

Technical data sheet



Technical parameters

Model	SAP Code	00012412
FTHC 70/40 G	A group of articles - web	Grills and grill plates

1. SAP Code:

00012412

2. Article group:

RF-Line 700

3. Net Width [mm]:

400

4. Net Depth [mm]:

700

5. Net Height [mm]:

900

6. Net Weight [kg]:

49.00

7. Gross Width [mm]:

440

8. Gross depth [mm]:

800

9. Gross Height [mm]:

975

10. Gross Weight [kg]:

57.00

11. Device type:

Gas unit

12. Construction type of device:

Stationary

13. Power gas [kW]:

7.000

14. Ignition:

Piezo + večný plamen

15. Type of gas:

Natural gas, propane butane

16. Protection of controls:

IPX4

17. Material:

AISI 304 top plate, AISI 430 cladding

18. Worktop type:

Molded - comfortable cleaning maintenance

19. Worktop material:

Chrome plated steel

20. Worktop Thickness [mm]:

1.20

21. Surface finish:

polished chrome 0.03 mm

22. Maximum device temperature [°C]:

300

23. Minimum device temperature [°C]:

50

24. Service accessibility:

Trough the frontal panel

25. Safety thermocouple:

Yes

26. Safety thermostat:

Yes

27. Adjustable feet:

Yes

28. Griddle dimensions [mm x mm]:

396 x 510

29. Griddle thickness [mm]:

12.00

30. Container for liquid fat:

Yes

31. Removable rim:

Yes

32. Top type:

Smooth