

Technical data sheet



Product features

Cooking range gas 4x burner without cabinet

Model	SAP Code	00004090
--------------	-----------------	----------



- Device type: Gas unit
- Power consumption of the zone 1 [kW]: 3,6
- Power consumption of the zone 2 [kW]: 3,6
- Power consumption of the zone 3 [kW]: 3
- Power consumption of the zone 4 [kW]: 3
- Protection of controls: IPX4
- Material: AISI 304 top plate, AISI 430 cladding

SAP Code	00004090	Type of gas	Natural gas, propane butane
Net Width [mm]	658	Number of zones	4
Net Depth [mm]	609	Power consumption of the zone 1 [kW]	3,6
Net Height [mm]	290	Power consumption of the zone 2 [kW]	3,6
Net Weight [kg]	21.00	Power consumption of the zone 3 [kW]	3
Power gas [kW]	13.200	Power consumption of the zone 4 [kW]	3

Technical data sheet



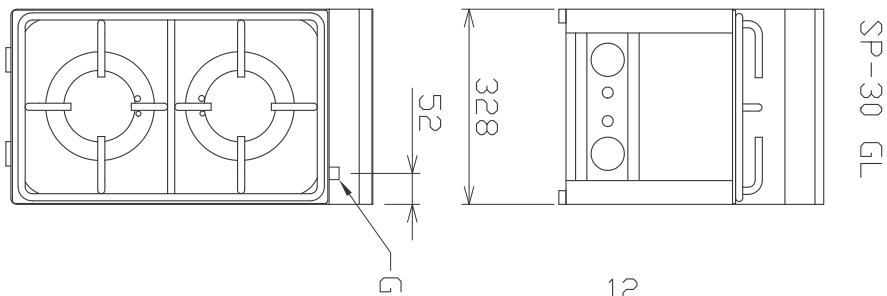
Technical drawing

Cooking range gas 4x burner without cabinet

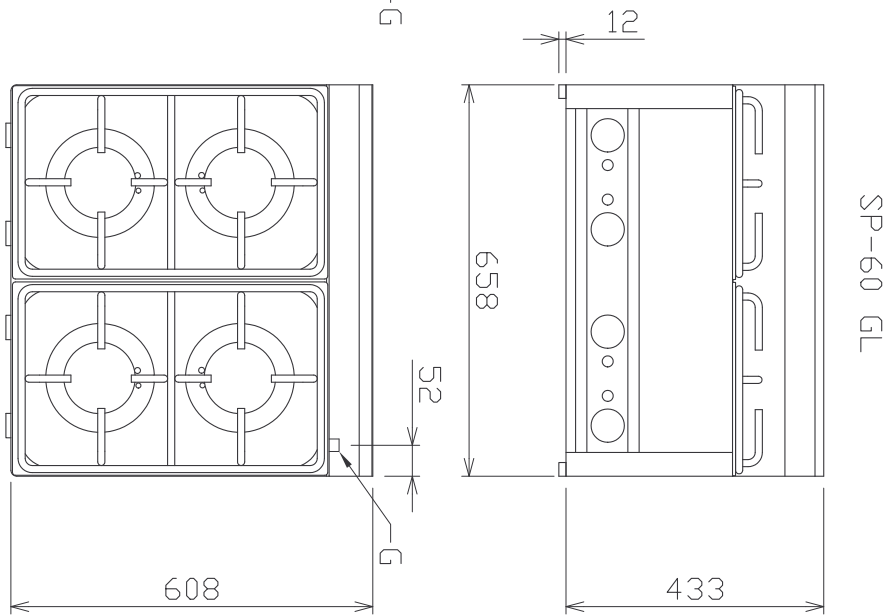
Model

SAP Code

00004090

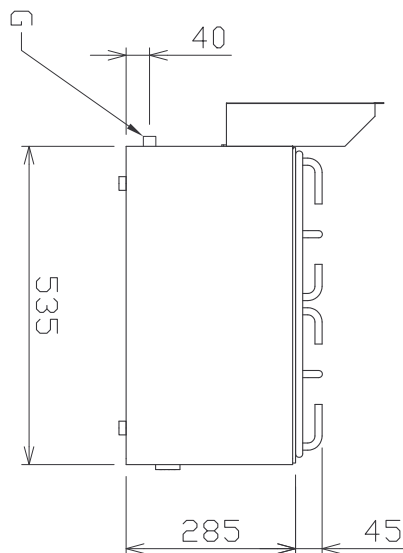


SP-30 GL



SP-60 GL

SP-30,60 GL



Technical data sheet



Product benefits

Cooking range gas 4x burner without cabinet

Model

SAP Code

00004090

1

Hygienic moldings of the top plate

absence of sharp corners and edges (potential places where dirt could stick)
smooth transitions

- easy quick cleaning

2

Degree of protection of the control elements IPX4

maintenance-free system
resistance to splash water
long life

- savings on service interventions
- greater job security for staff

3

All stainless steel design

long life
resistance of AISI 304 stainless steel material
the material does not cut

- savings on service interventions
- easy cleaning and maintenance of equipment

4

Safety element – thermocouple

safe service for staff
there is no unnecessary gas leakage
long life

- savings on service interventions
- easier and faster operation

5

Cooking unit for use on a table or on a base

safe service for staff
there is no unnecessary gas leakage
long life

- easy handling
- cost savings on substructure

Technical data sheet



Technical parameters

Cooking range gas 4x burner without cabinet

Model

SAP Code

00004090

1. SAP Code:

00004090

2. Net Width [mm]:

658

3. Net Depth [mm]:

609

4. Net Height [mm]:

290

5. Net Weight [kg]:

21.00

6. Gross Width [mm]:

725

7. Gross depth [mm]:

710

8. Gross Height [mm]:

540

9. Gross Weight [kg]:

23.00

10. Device type:

Gas unit

11. Construction type of device:

Table top

12. Power gas [kW]:

13.200

13. Type of gas:

Natural gas, propane butane

14. Protection of controls:

IPX4

15. Material:

AISI 304 top plate, AISI 430 cladding

16. Worktop material:

AISI 304

17. Worktop Thickness [mm]:

0.80

18. Number of zones:

4

19. Power consumption of the zone 1 [kW]:

3,6

20. Power consumption of the zone 2 [kW]:

3,6

21. Power consumption of the zone 3 [kW]:

3

22. Power consumption of the zone 4 [kW]:

3

23. Number of power control stages:

6

24. Adjustable feet:

Yes

25. Number of burners/hot plates:

4

26. Type of gas cooking zones:

Powerfull