

Technical data sheet

Product features



Cooking range gas 6x burner with static oven, cabinet with door

Model	SAP Code	00000323
--------------	-----------------	----------



- Device type: Gas unit
- Power consumption of the zone 1 [kW]: 10
- Power consumption of the zone 2 [kW]: 10
- Power consumption of the zone 3 [kW]: 7
- Power consumption of the zone 4 [kW]: 7
- Power consumption of the zone 5 [kW]: 7
- Power consumption of the zone 6 [kW]: 4
- Ignition: Piezo+veřn plamen
- Type of internal part of the appliance 1 (eg oven): Gas
- Type of internal part of the appliance 2 (eg oven): Static
- Material: AISI 304

SAP Code	00000323	Power consumption of the zone 3 [kW]	7
Net Width [mm]	1200	Power consumption of the zone 4 [kW]	7
Net Depth [mm]	900	Power consumption of the zone 5 [kW]	7
Net Height [mm]	900	Power consumption of the zone 6 [kW]	4
Net Weight [kg]	208.00	Type of internal part of the appliance 1 (eg oven)	Gas
Power gas [kW]	53.500	Type of internal part of the appliance 2 (eg oven)	Static
Type of gas	Propane butane, natural gas	Width of internal part [mm]	670
Number of zones	6	Depth of internal part [mm]	730
Power consumption of the zone 1 [kW]	10	Height of internal part [mm]	340
Power consumption of the zone 2 [kW]	10		

Technical data sheet

Technical drawing

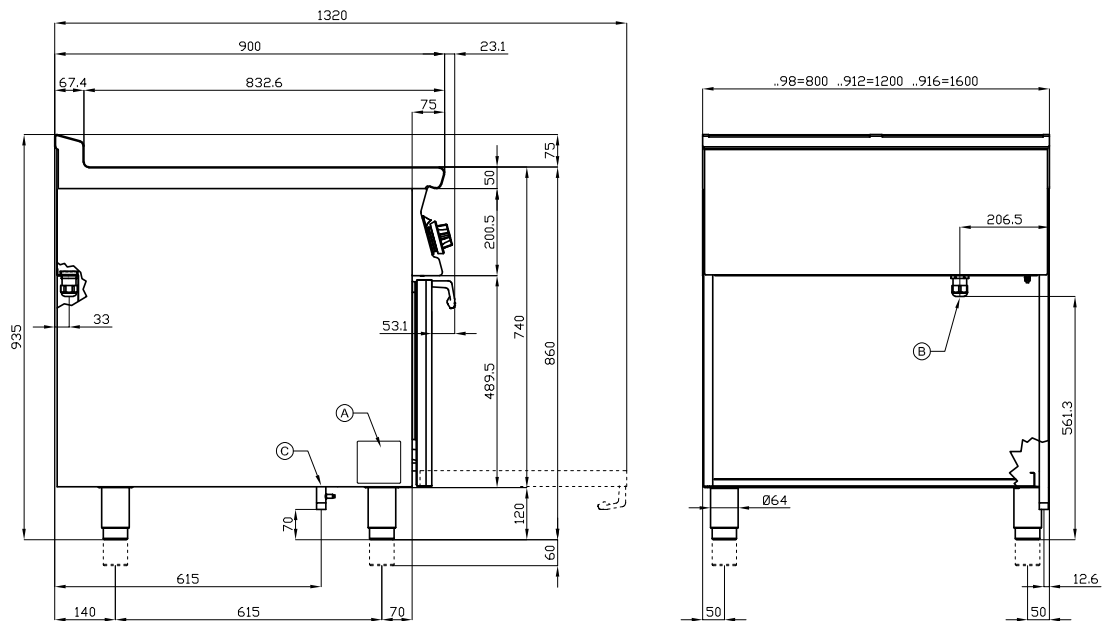


Cooking range gas 6x burner with static oven, cabinet with door

Model

SAP Code

00000323



A	Data plate	C	Gas connection	ISO 7-1 3/4" M
---	------------	---	----------------	----------------

Technical data sheet

Technical parameters



Cooking range gas 6x burner with static oven, cabinet with door

Model

SAP Code

00000323

1. SAP Code:

00000323

2. Net Width [mm]:

1200

3. Net Depth [mm]:

900

4. Net Height [mm]:

900

5. Net Weight [kg]:

208.00

6. Gross Width [mm]:

1230

7. Gross depth [mm]:

970

8. Gross Height [mm]:

1110

9. Gross Weight [kg]:

230.00

10. Device type:

Gas unit

11. Construction type of device:

With substructure

12. Power gas [kW]:

53.500

13. Ignition:

Piezo+veÄŤnÄŤ plamen

14. Type of gas:

Propane butane, natural gas

15. Device color:

Stainless steel

16. Material:

AISI 304

17. Worktop type:

Molded - comfortable cleaning maintenance

18. Worktop material:

AISI 304

19. Worktop Thickness [mm]:

2.00

20. Number of zones:

6

21. Power consumption of the zone 1 [kW]:

10

22. Power consumption of the zone 2 [kW]:

10

23. Power consumption of the zone 3 [kW]:

7

24. Power consumption of the zone 4 [kW]:

7

25. Power consumption of the zone 5 [kW]:

7

26. Power consumption of the zone 6 [kW]:

4

27. Service accessibility:

From the front by removing the front panel and waste fluid containers

28. Safety thermocouple:

Yes

Technical data sheet

Technical parameters



Cooking range gas 6x burner with static oven, cabinet with door

Model

SAP Code

00000323

29. Adjustable feet:

Yes

30. Number of burners/hot plates:

6

31. Type of gas cooking zones:

Classic

32. Burner type:

Brass, detachable

33. Oven Type:

gas static

34. Oven size:

GN 2/1

35. Oven material:

Stainless steel

36. Type of internal part of the appliance 1 (eg oven):

Gas

37. Type of internal part of the appliance 2 (eg oven):

Static

38. Width of internal part [mm]:

670

39. Depth of internal part [mm]:

730

40. Height of internal part [mm]:

340

41. Gasket:

Yes

42. Maximum temperature of the inner chamber [°C]:

300

43. Minimum temperature of the inner chamber [°C]:

50