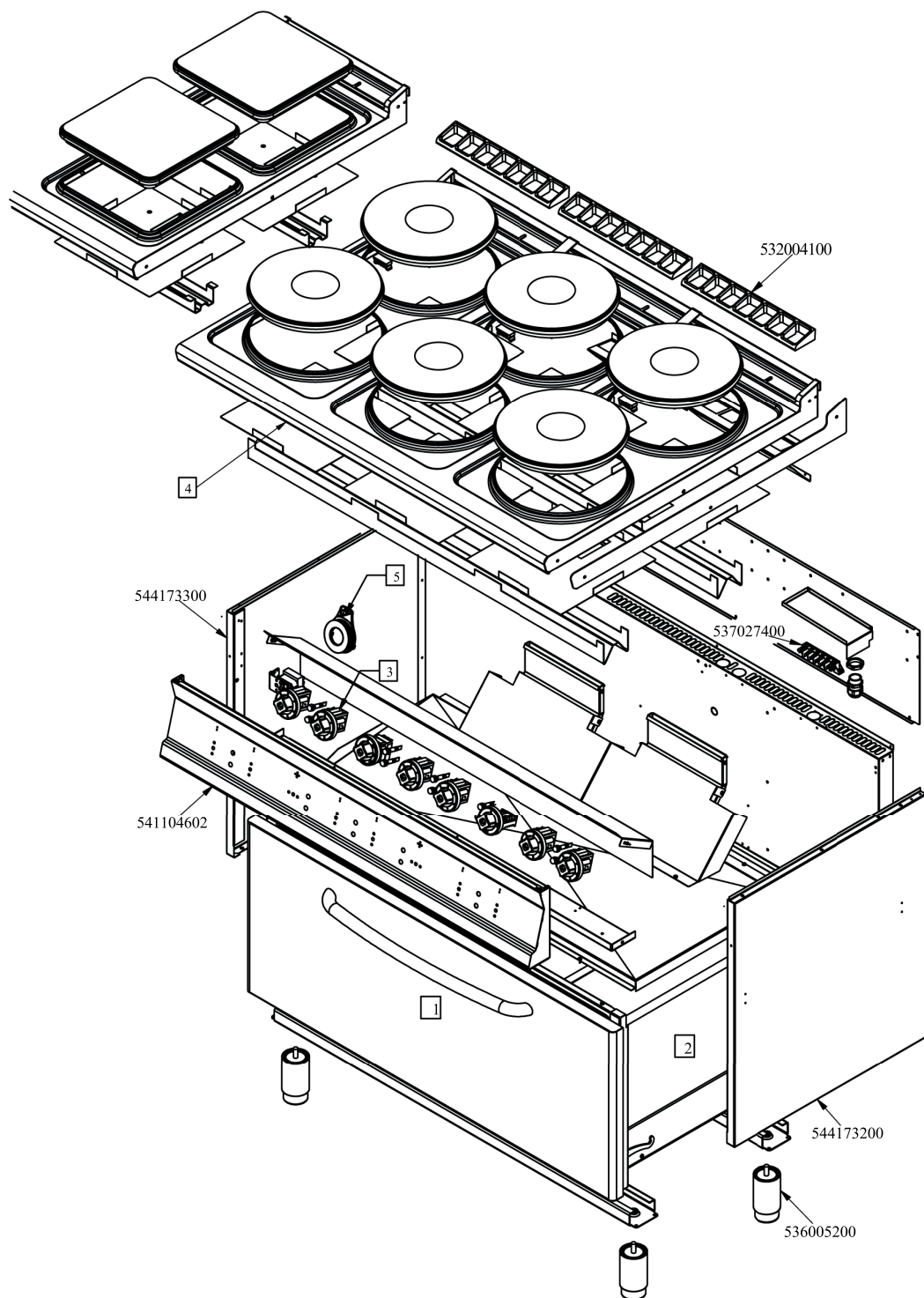




RM 700
Platný od 1.5. 2019
CFQ6-712ET

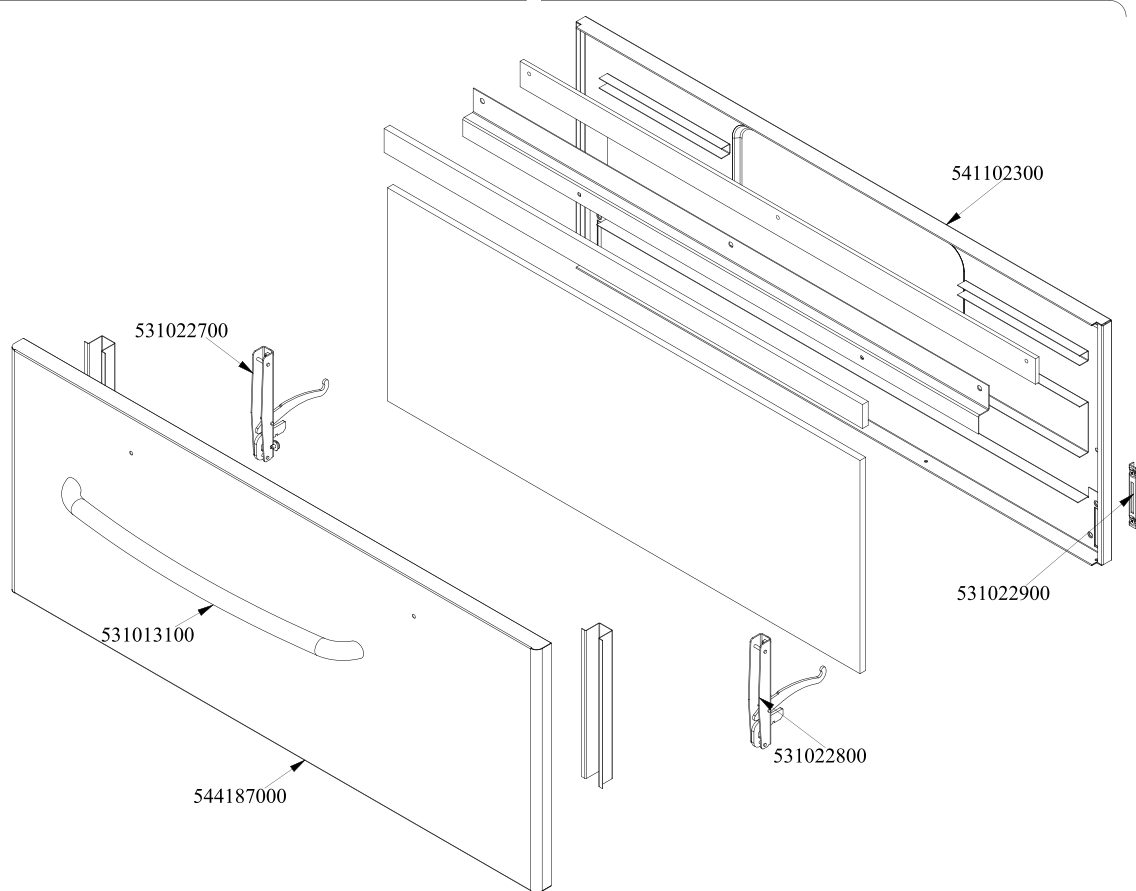


560009502M00P00.



Objednací kód	Popis v ENG
544173200	RIGHT SIDE PANEL RANGE S.70
536005200	INOX LEG 2" 120-180 M10
541104602	
544173300	LEFT SIDE PANEL RANGE S.70
537027400	TERMINAL BLOCK THREEPHASE 40A
532004100	FLUE GRID L=370 90LINE (RAF)
-	-
-	-
-	-
-	-
-	-

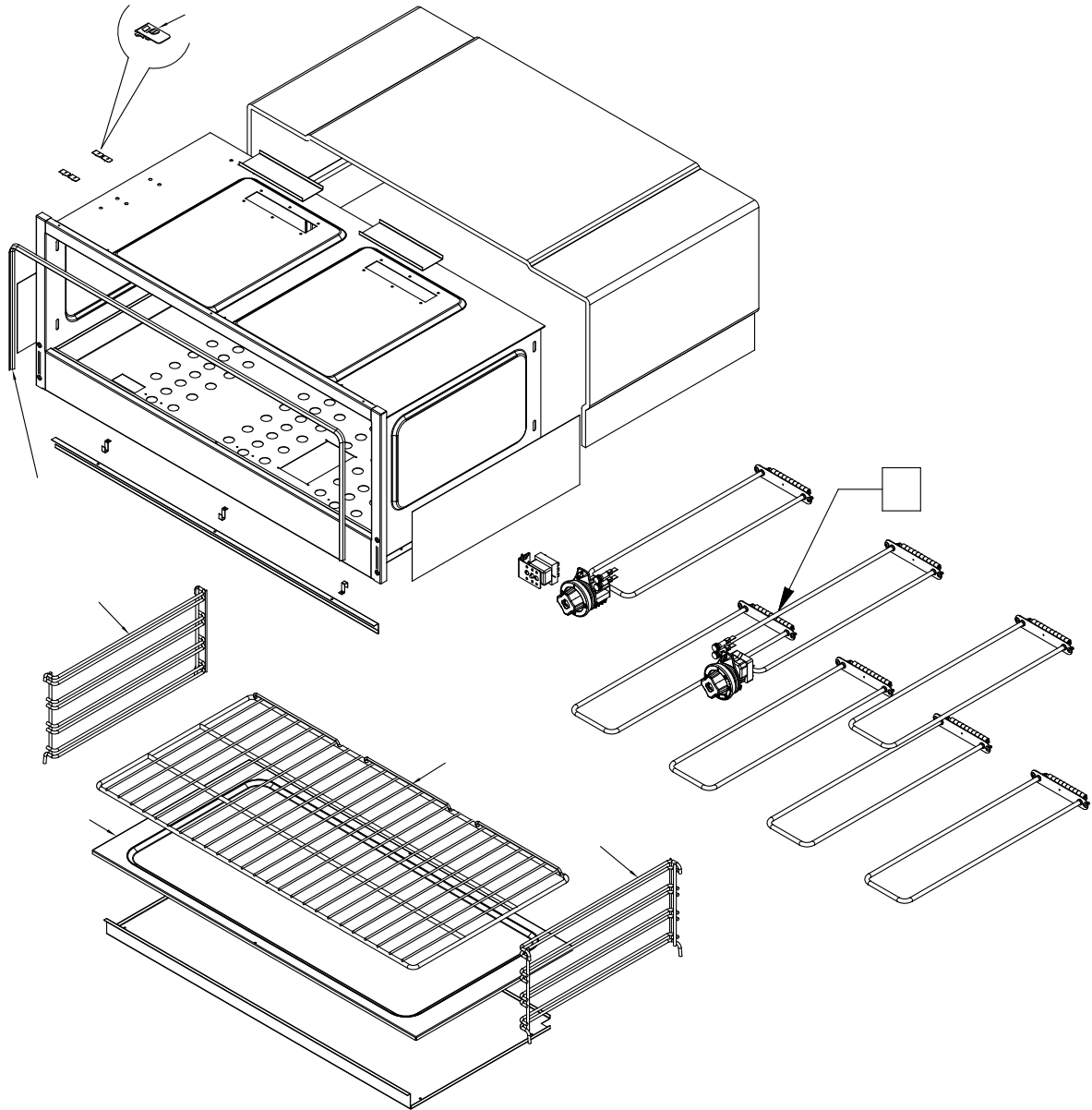
GN3/1



560099900M01P00

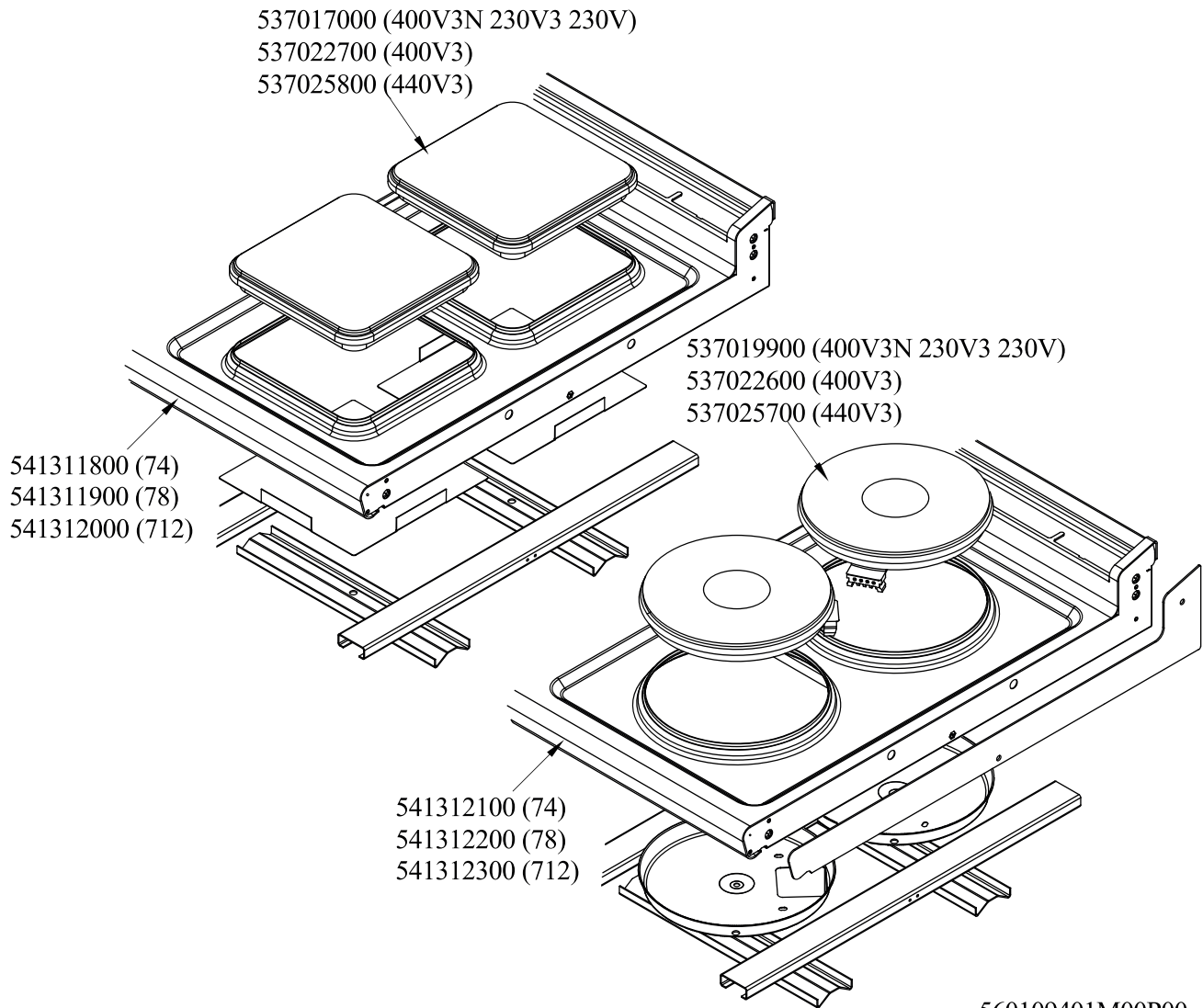


Objednačí kód	Popis v ENG
541102300	GAS OVEN INNER DOOR GN 3/1 S.70
531022800	531022800N DOOR HINGE S.70
531022900	HINGE ROLLER HOLDER FOR 700-OVEN
531013100	OVEN DOOR HANDLE OF 70/90-LINE
531022700	LEFT OVEN DOOR HINGE 70LINE
544187000	OVEN DOOR GN 3/1 S.70





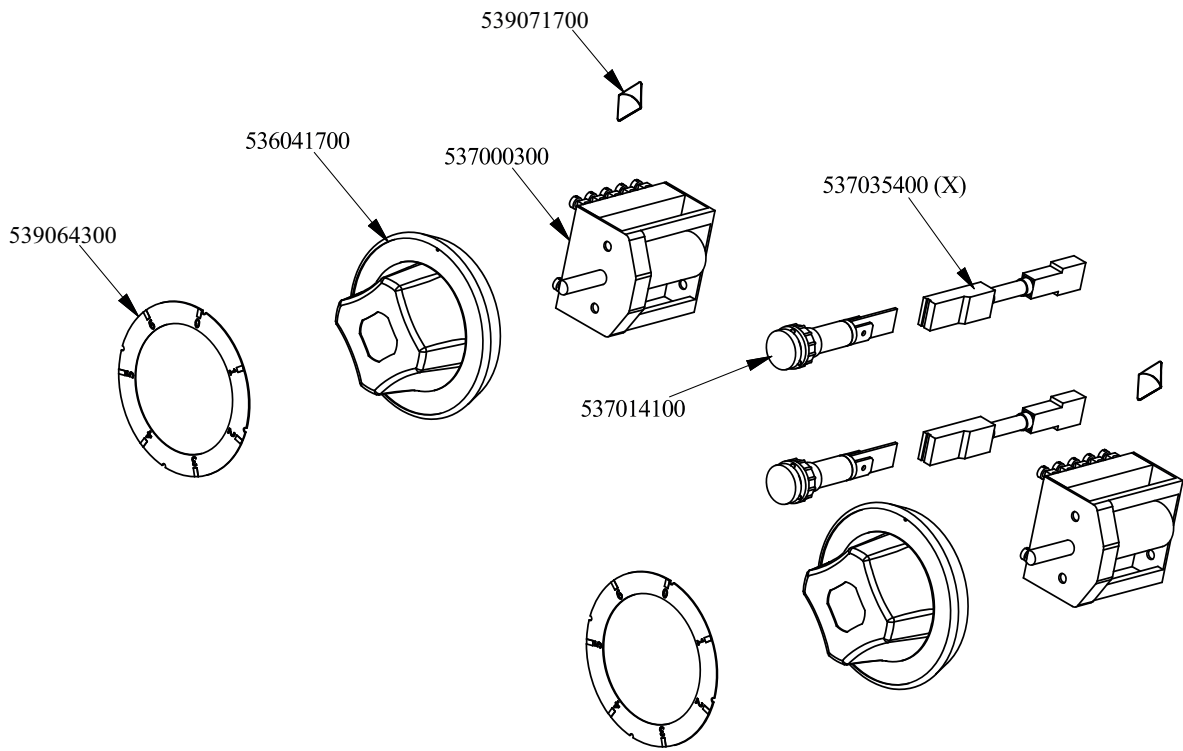
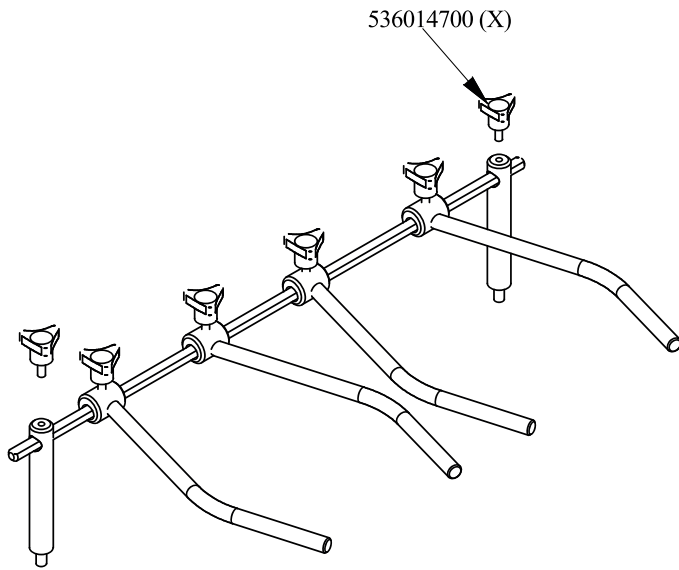
Objednací kód	Popis v ENG
536010900	GAS OVEN GASKET GN 3/1 (1668)
533037600	LOCK SPRING FOR BULB
531030300	OVEN GRID GN 3/1 FOR 70 LINE
531062100	OVEN GRID GN 3/1 FOR 70 LINE
531030301	
531062101	
531030500	LHD SUPPORT GRID FOR OVEN OF 70LINE
531062300	LHD SUPPORT GRID FOR OVEN OF 70LINE
531076100	
531062301	
531030400	RHD SUPPORT GRID FOR OVEN OF 70LINE
531062200	RHD SUPPORT GRID FOR OVEN OF 70LINE
531062201	



560109401M00P00



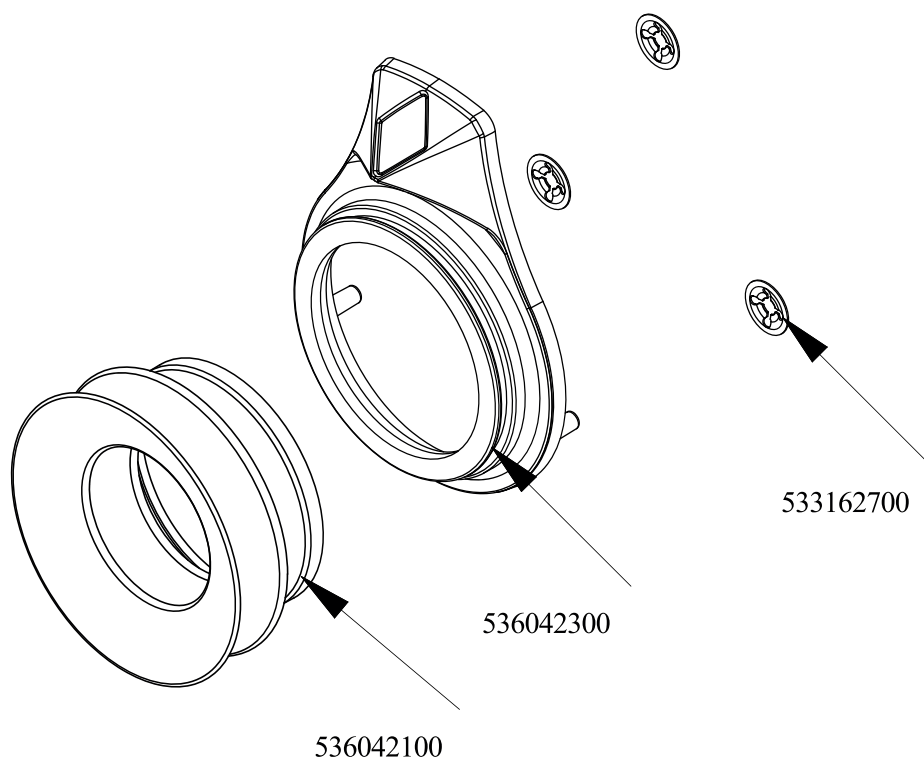
Objednačí kód	Popis v ENG
541312100	
541312200	
541312300	
541311800	
541311900	
541312000	
537019900	PLATE D.220 W2600 V230
537022600	ELECTRICAL PLATE D.220 W2600 V400
537025700	ELECTRICAL PLATE D.220 W2600 V440
537017000	PLATE 220X220 W2600 V230
537022700	SQUARE EL. PLATE 220X220 W2600 V400
537025800	PLATE 220X220 W2600 V440



560018102M00P00



Objednací kód	Popis v ENG
536041700	SILVER CHROM. KNOB Ø77 4P.G.Ø06X4,6
539064300	BLACK ADESIVE DISK FOR PC-E
537000300	COMMUTATOR 7 POSITIONS S.49 16A
539071700	ADHES.LABEL FOR RING GREEN SIGN.
537014100	WHITE WARNING LIGHT 250V
536014700	3 DRILL WHEELS
537035400	HEATING ELEMENT 00003W 330KOHM W/F



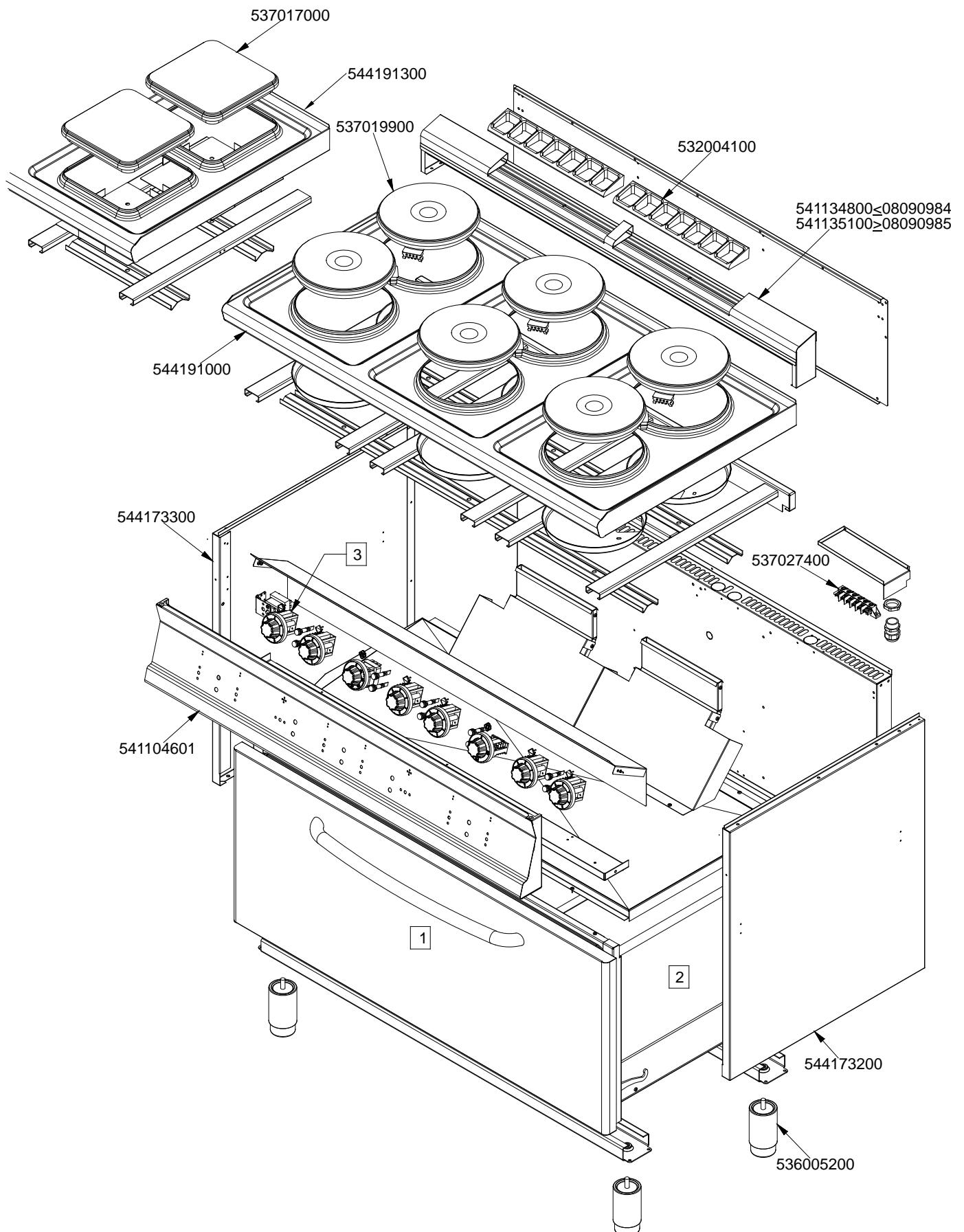
560125700M00P00



Objednačí kód	Popis v ENG
536042300	SILVER CHROM. RING FOR KNOB Ø77 4 P
536042100	SEAL CASING FOR KNOB Ø77 4 P
533162700	PROCESSING CODE



CF6 - 712 ET, CFQ6 - 712 ET
 Platnost 1.5.2016 do
 30.4.2019

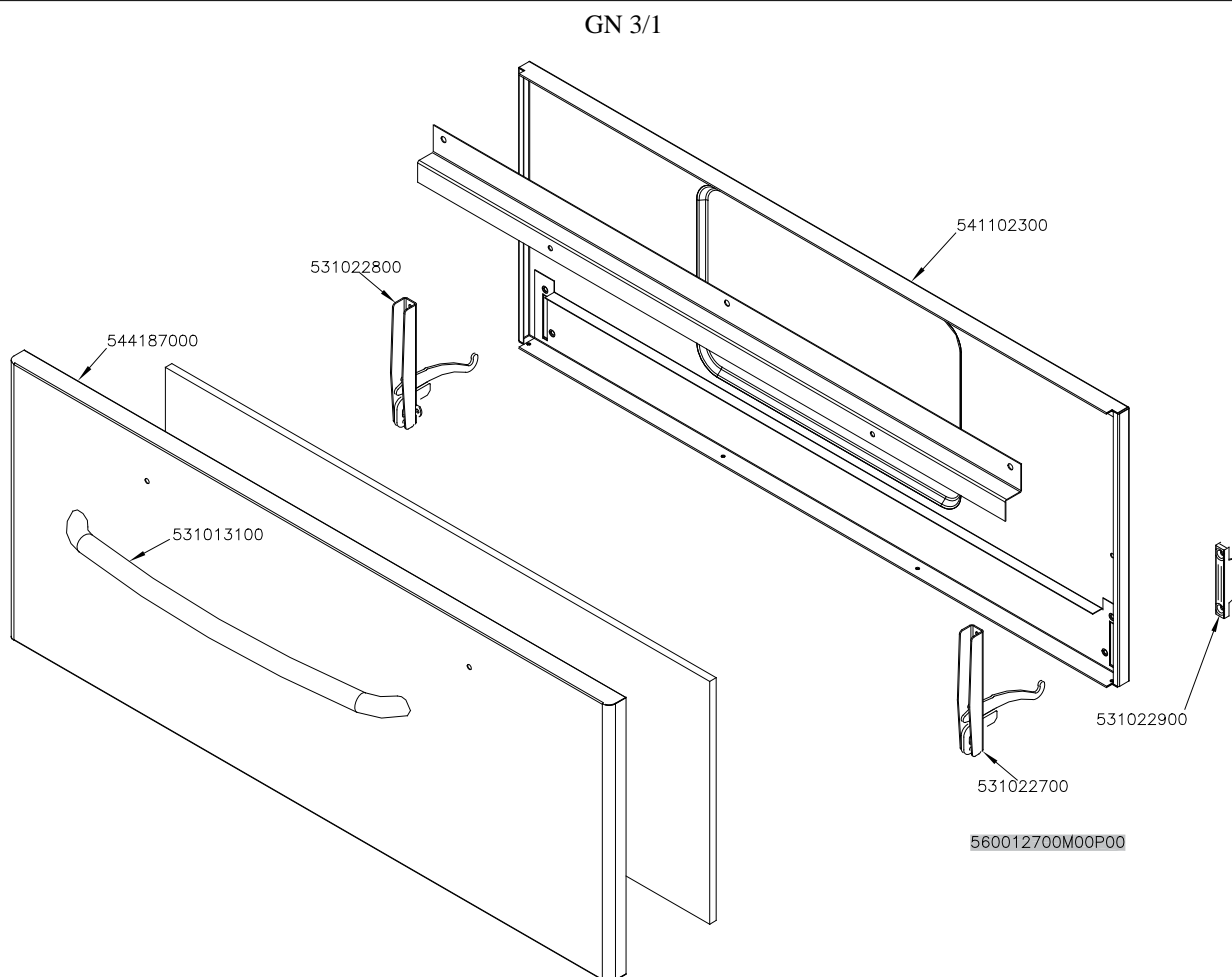
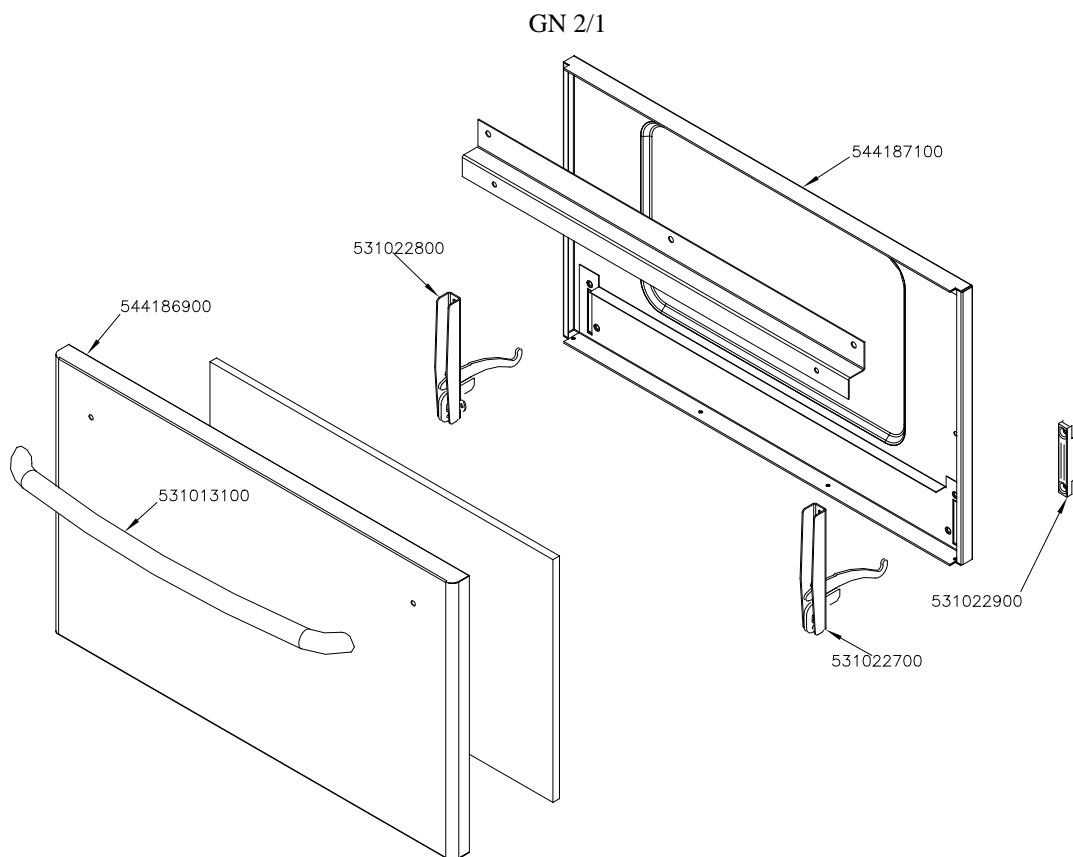


CF6 - 712 ET, CFQ6 - 712 ET

(1)

Platnost 1.5.2016 do

30.4.2019

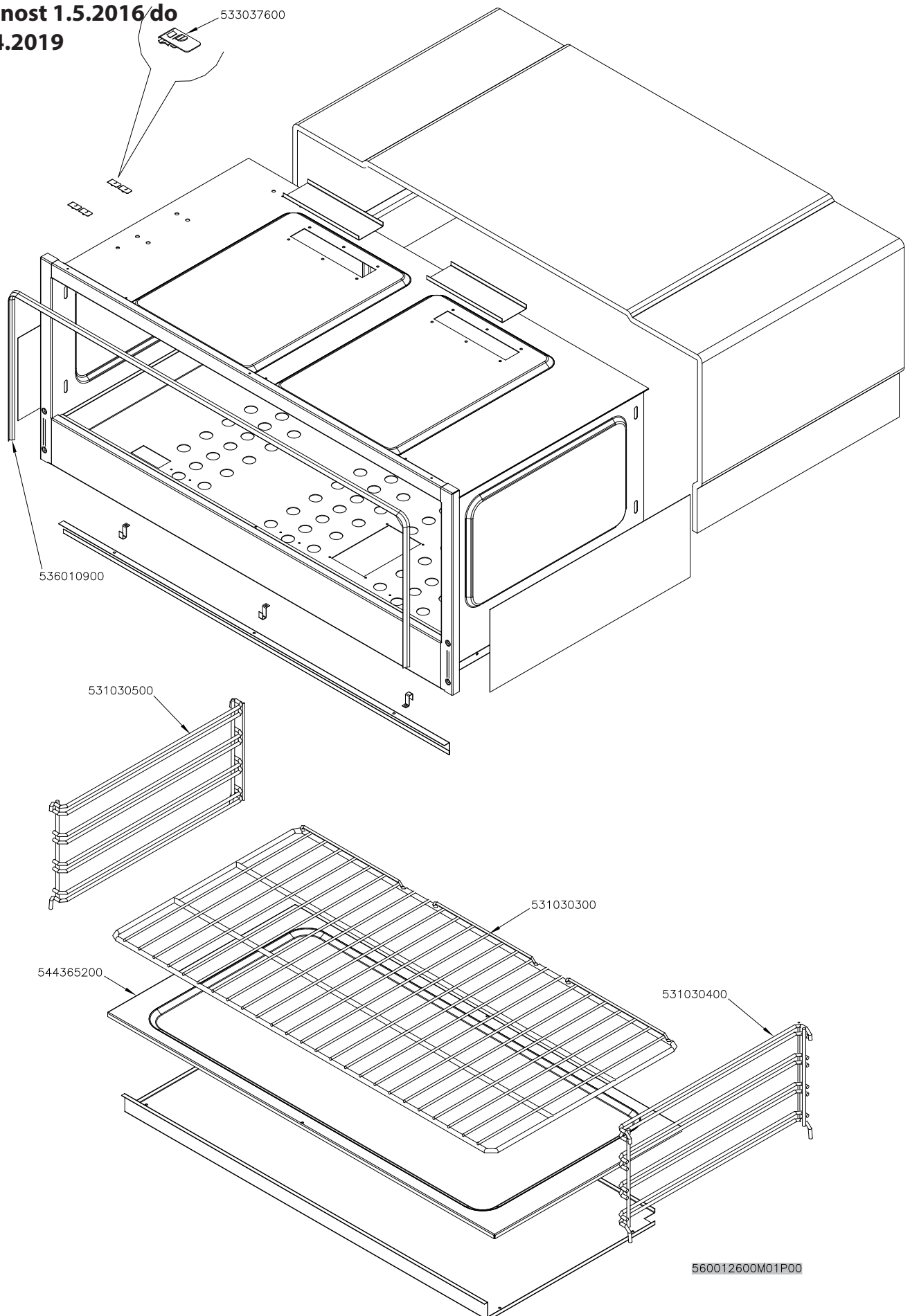




CF6 - 712 ET, CFQ6 - 712 ET

(2)

Platnost 1.5.2016 do
30.4.2019



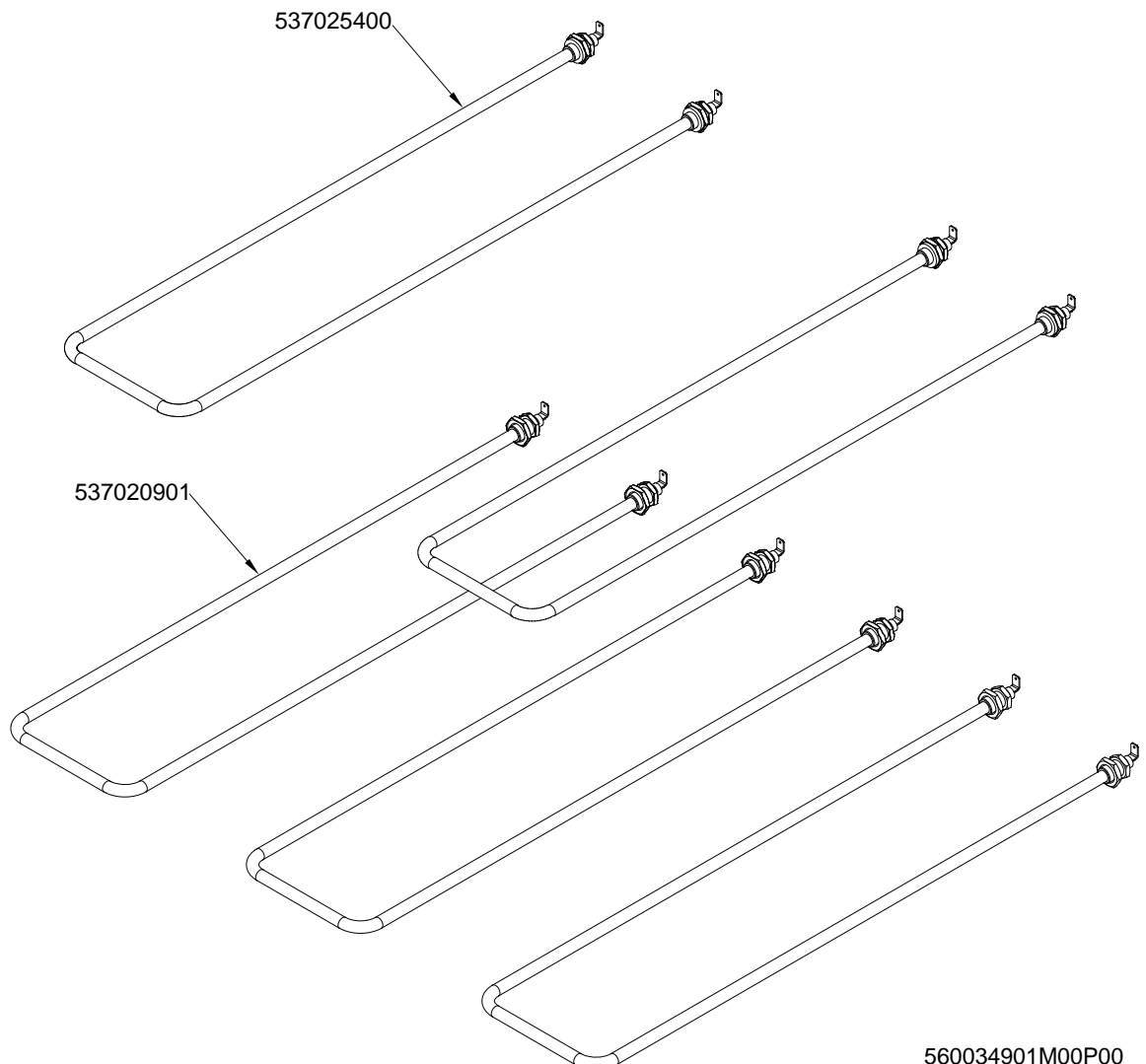
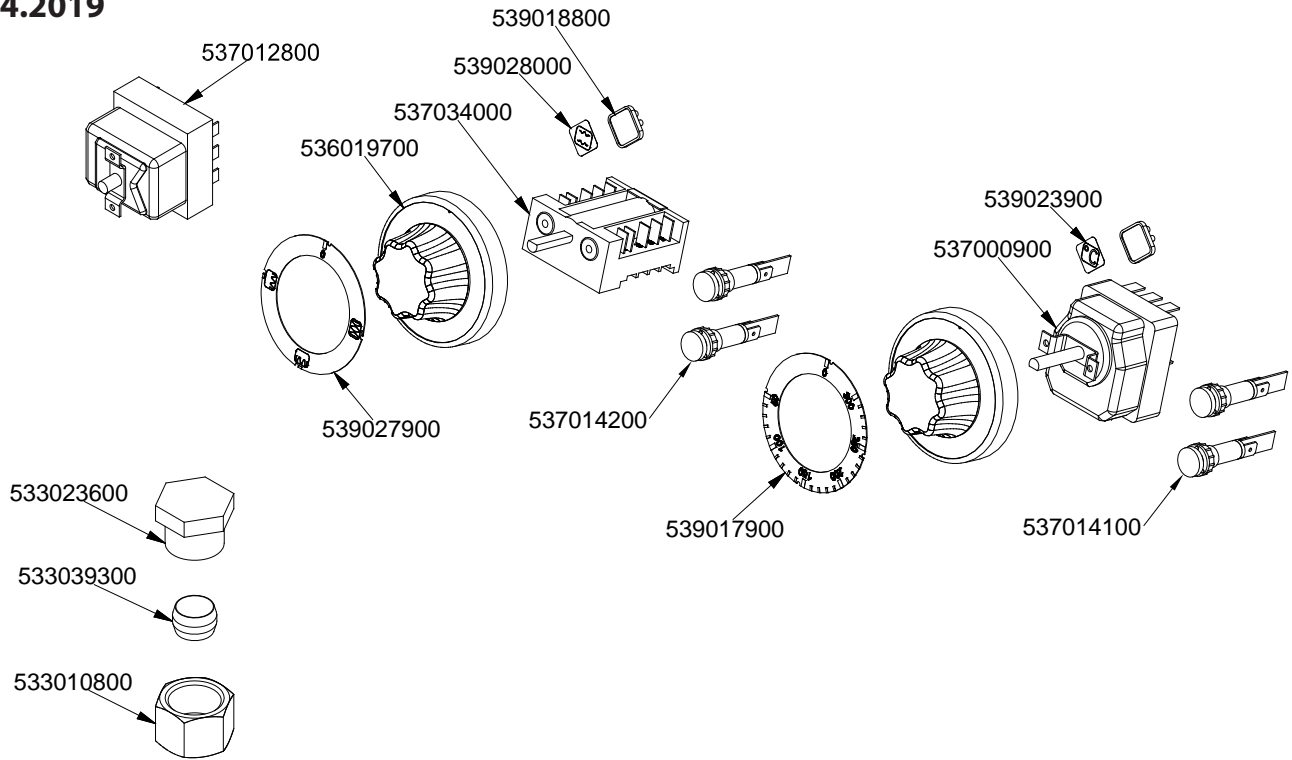


CF6 - 712 ET, CFQ6 - 712 ET

(3)

Platnost 1.5.2016 do

30.4.2019



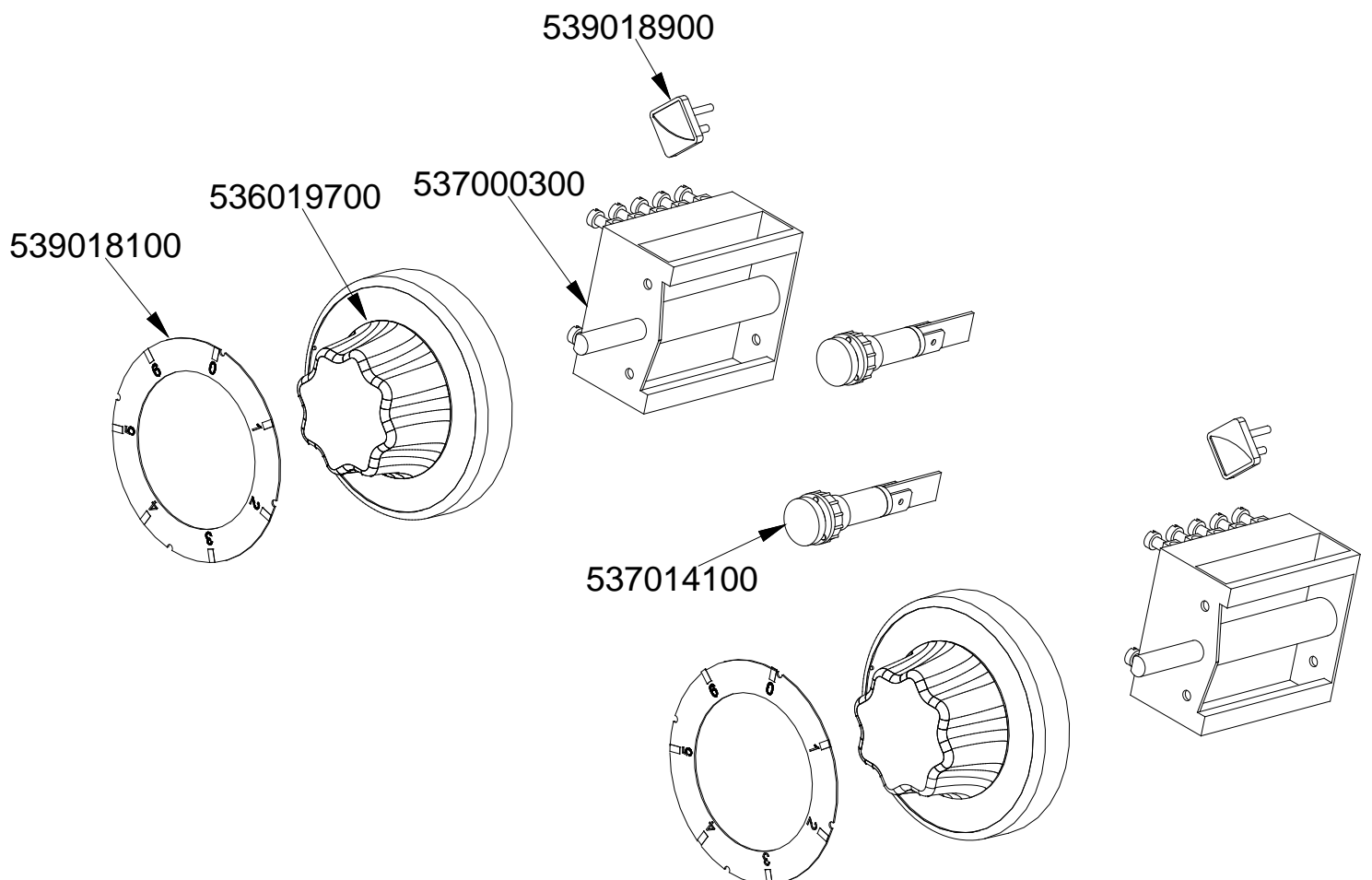


CF6 - 712 ETV, CFQ6 - 712 ETV

(3)

Platnost 1.5.2016 do

30.4.2019



560018101M00P00