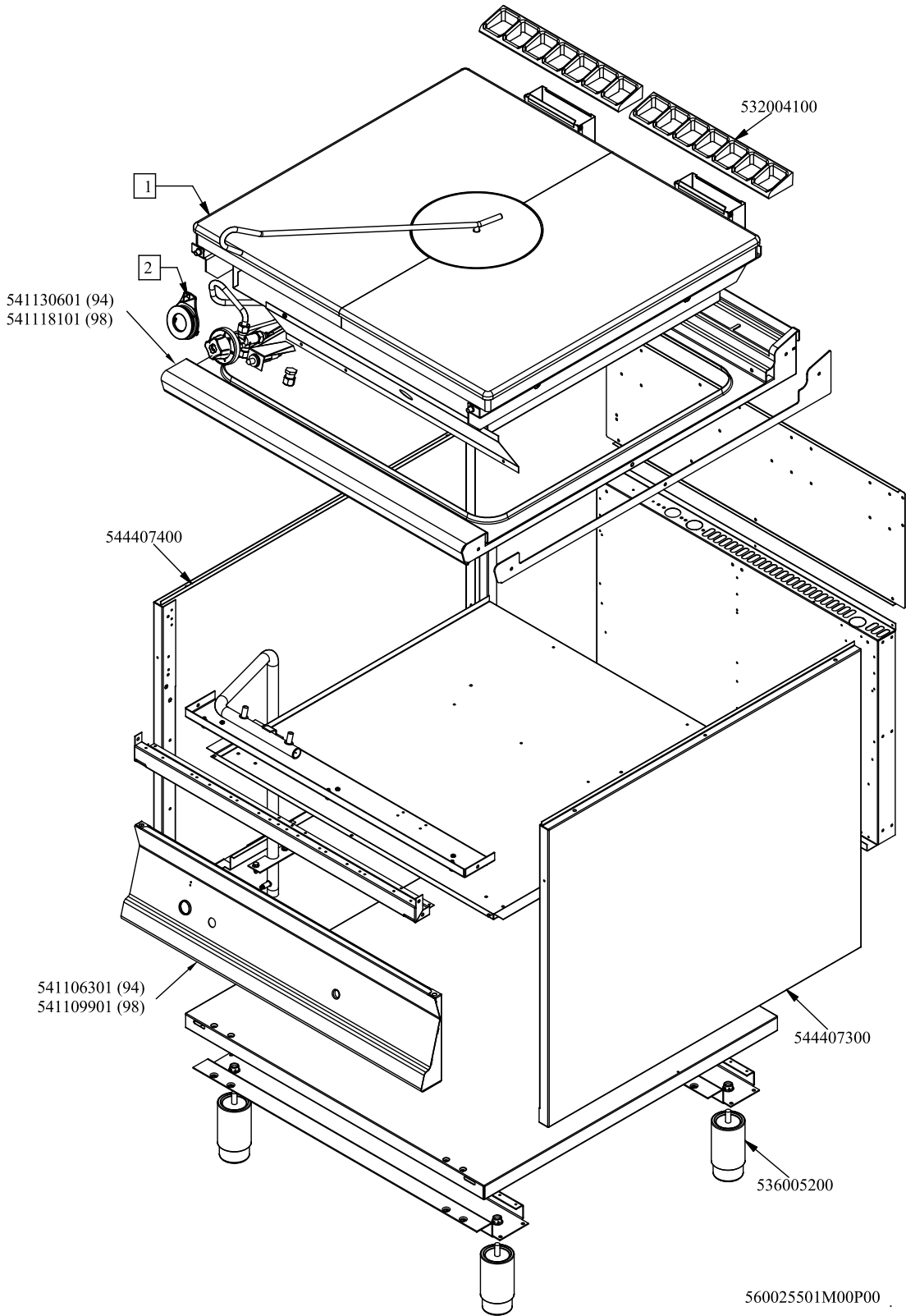
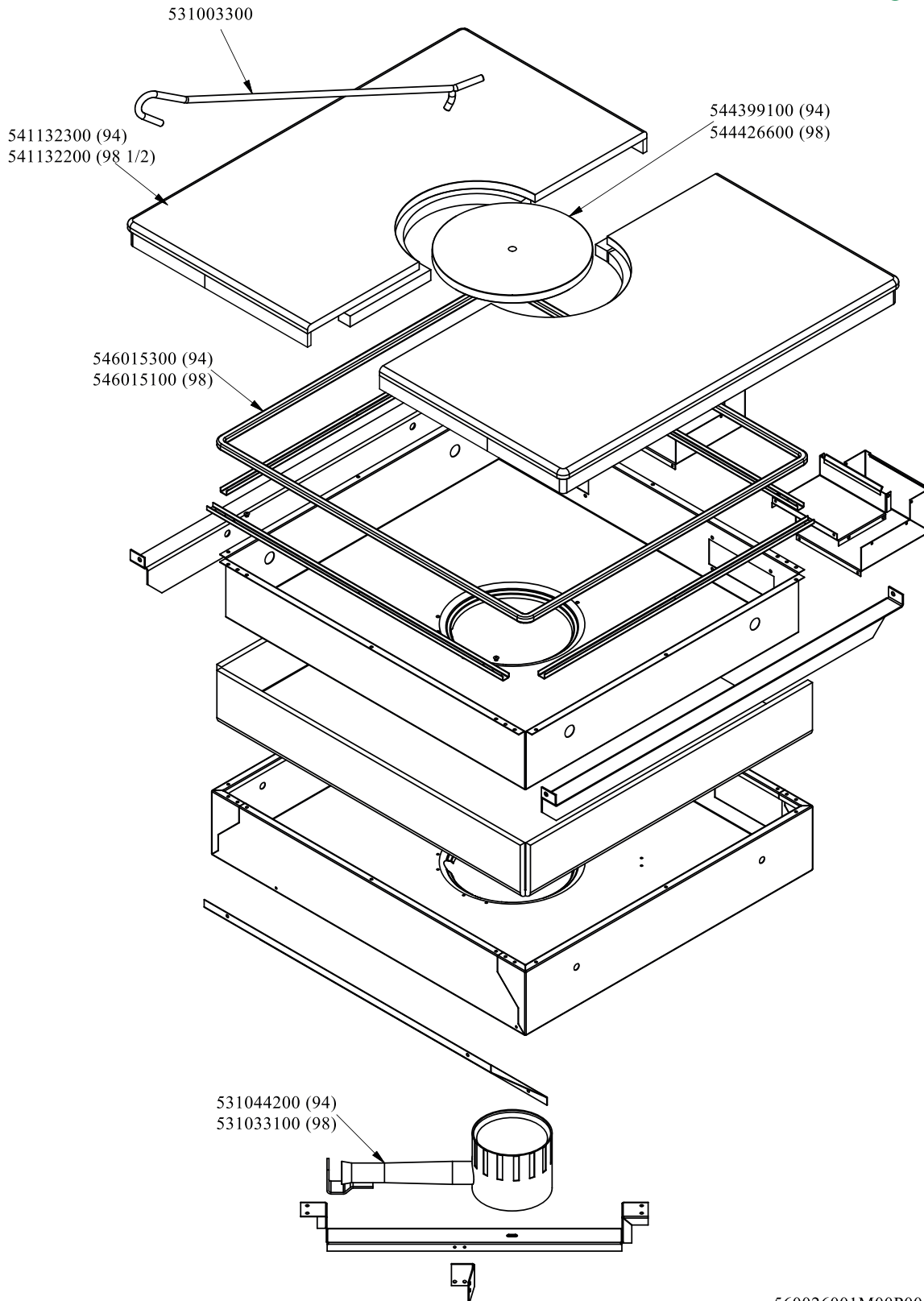


RM 900
 Platný od 1.5. 2019
 TP-98G



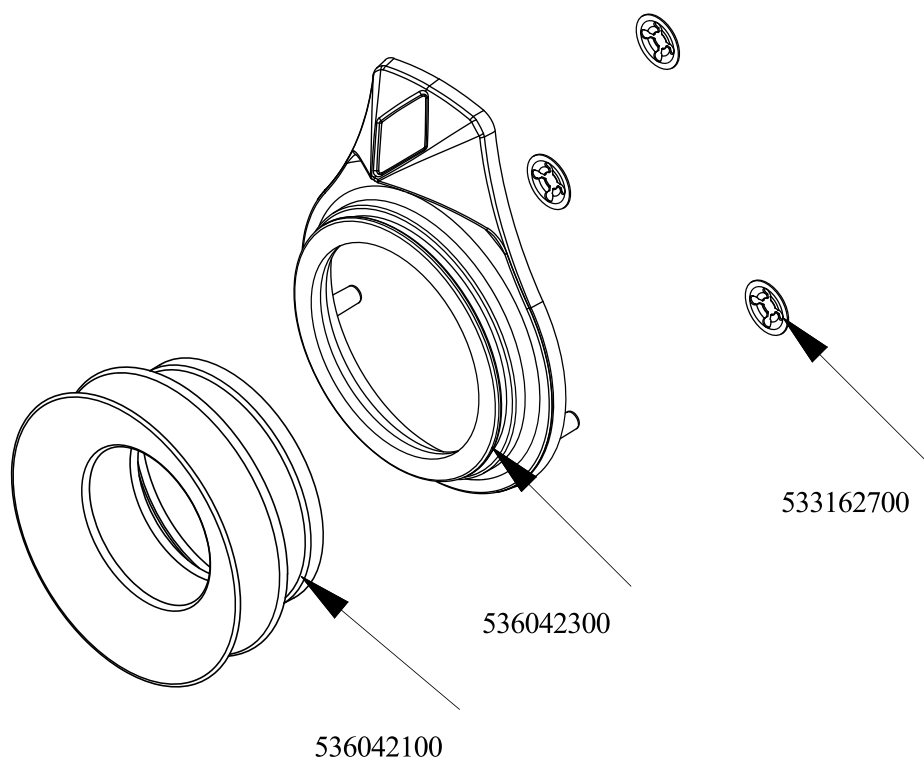


Objednací kód	Popis v ENG
541146501	
544407400	LEFT SIDE PANEL 70 LINE
541129701	
532004100	FLUE GRID L=370 90LINE (RAF)
544407300	RIGHT SIDE PANEL 90 LINE
536005200	INOX LEG 2" 120-180 M10
-	-
-	-
-	-
-	-





Objednací kód	Popis v ENG
544399100	PLATE RING FOR TP-74G TP-94G
544426600	PLATE RING FOR TP-98G
531044200	CIRCULAR BURNER TP D.066
531033100	BURNER TP..-78G
546015300	SQUARE BRAID 12*12*L=1821
546015100	SQUARE BRAID OF INSULATING MATERIAL
541132300	PLATE TP-94G
541132200	PLATE TP-98G (1/2)



560125700M00P00



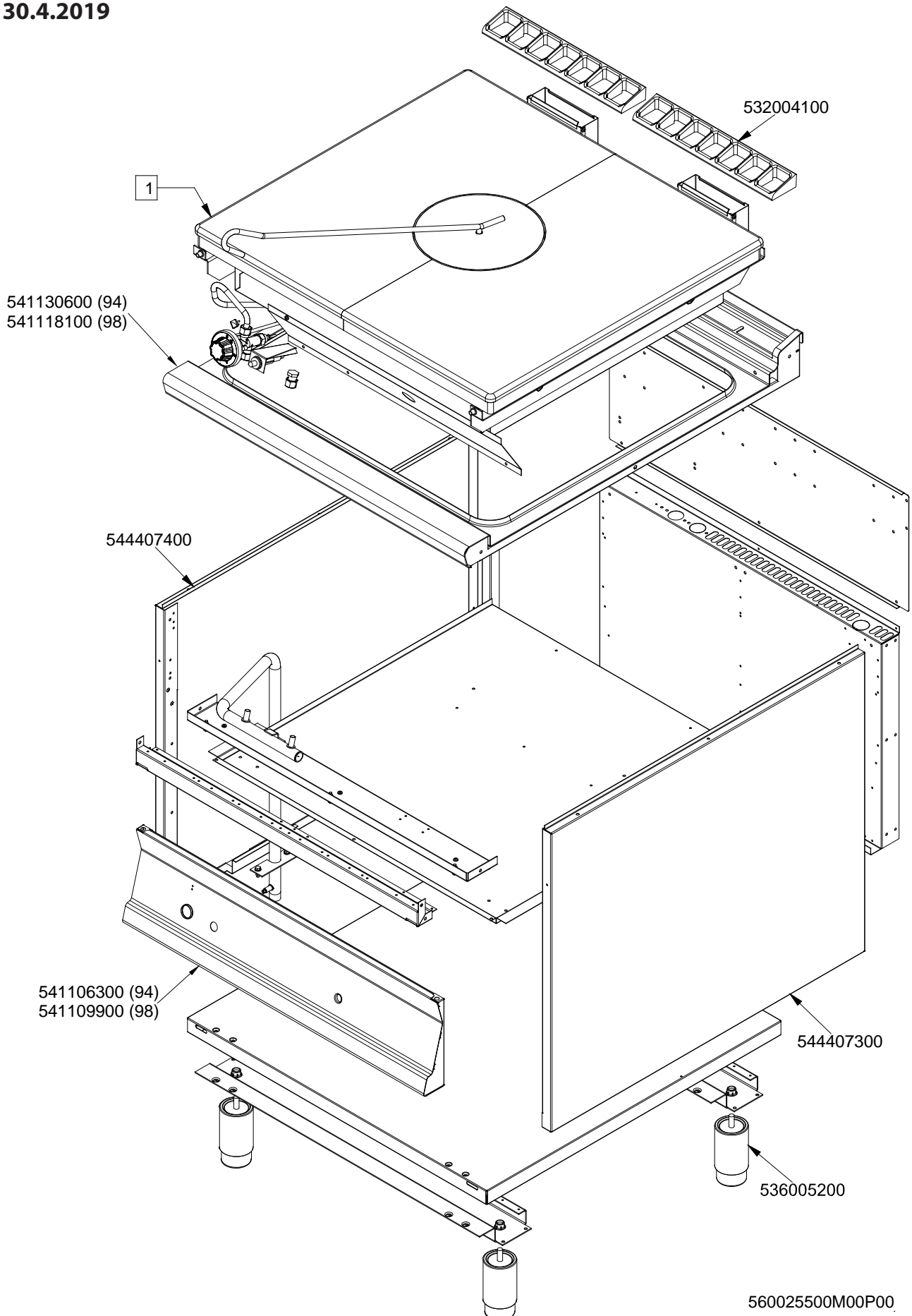
Objednačí kód	Popis v ENG
536042300	SILVER CHROM. RING FOR KNOB Ø77 4 P
536042100	SEAL CASING FOR KNOB Ø77 4 P
533162700	PROCESSING CODE

TP - 94 G, TP - 98 G

Platný od

1.5.2016

do 30.4.2019



TP - 94 G, TP - 98 G

(1)

Platný od 1.5.2016

do 30.4.2019

531003300

541132300 (94)

541132200 (98 1/2)

544399100 (94)

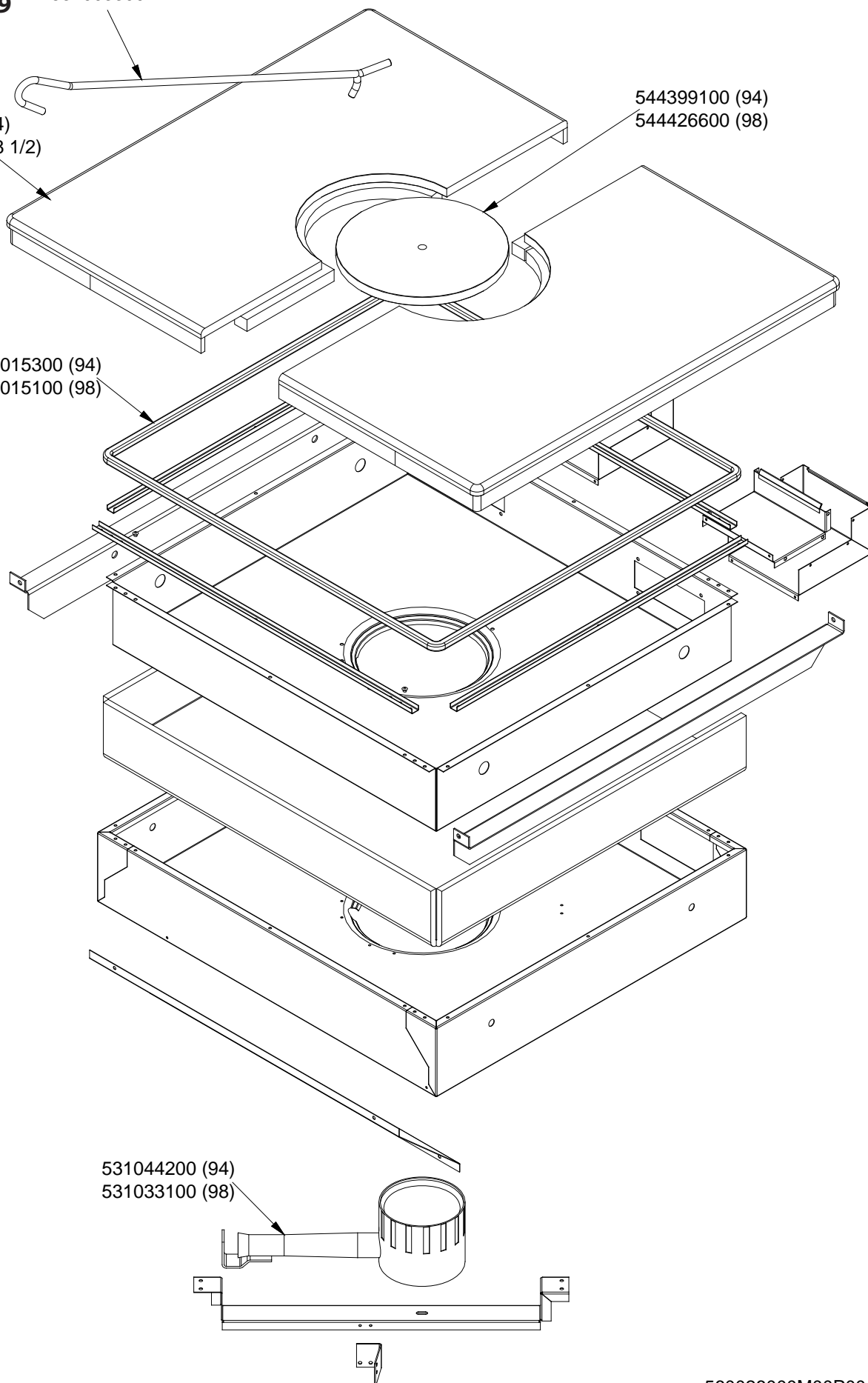
544426600 (98)

546015300 (94)

546015100 (98)

531044200 (94)

531033100 (98)





TP - 94 G, TP - 98 G
Platný od
1.5.2016
do 30.4.2019

	*	**	**
		TP-94	TP-98
G30-28+30mbar G31- 37mbar	533020500	533057700	533019600
G30- 50mbar	533020500	533057600	533046200
G20- 20mbar G25- 25mbar	533020600	533047400	533057500
G20- 20mbar DE-AT	533020600	533047400	533057500
G25- 20mbar	533020600	533047300	533032801
G25- 25mbar NL	533020600	533047500	533032001
G20- 25mbar	533020600	533046400	

