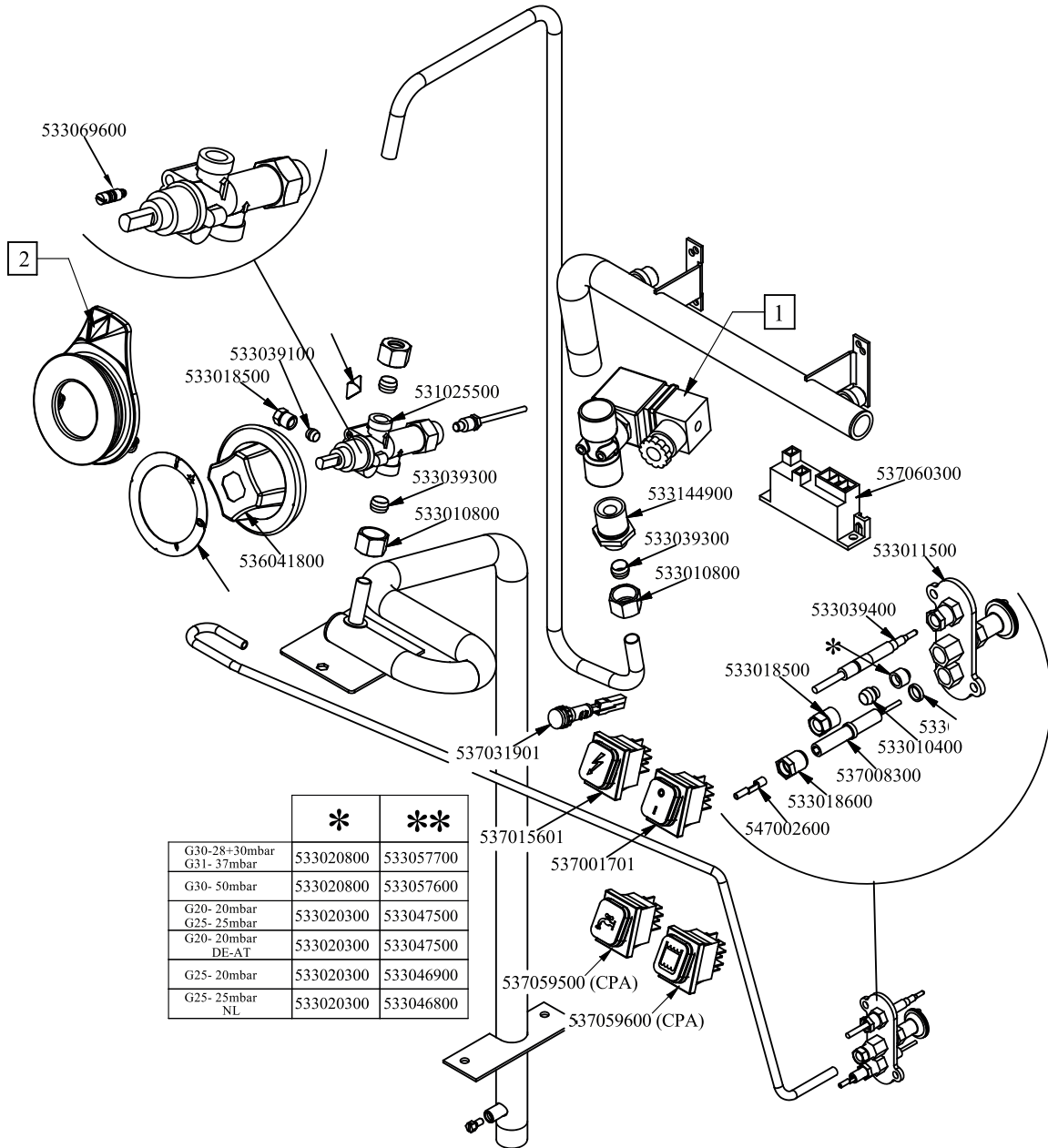




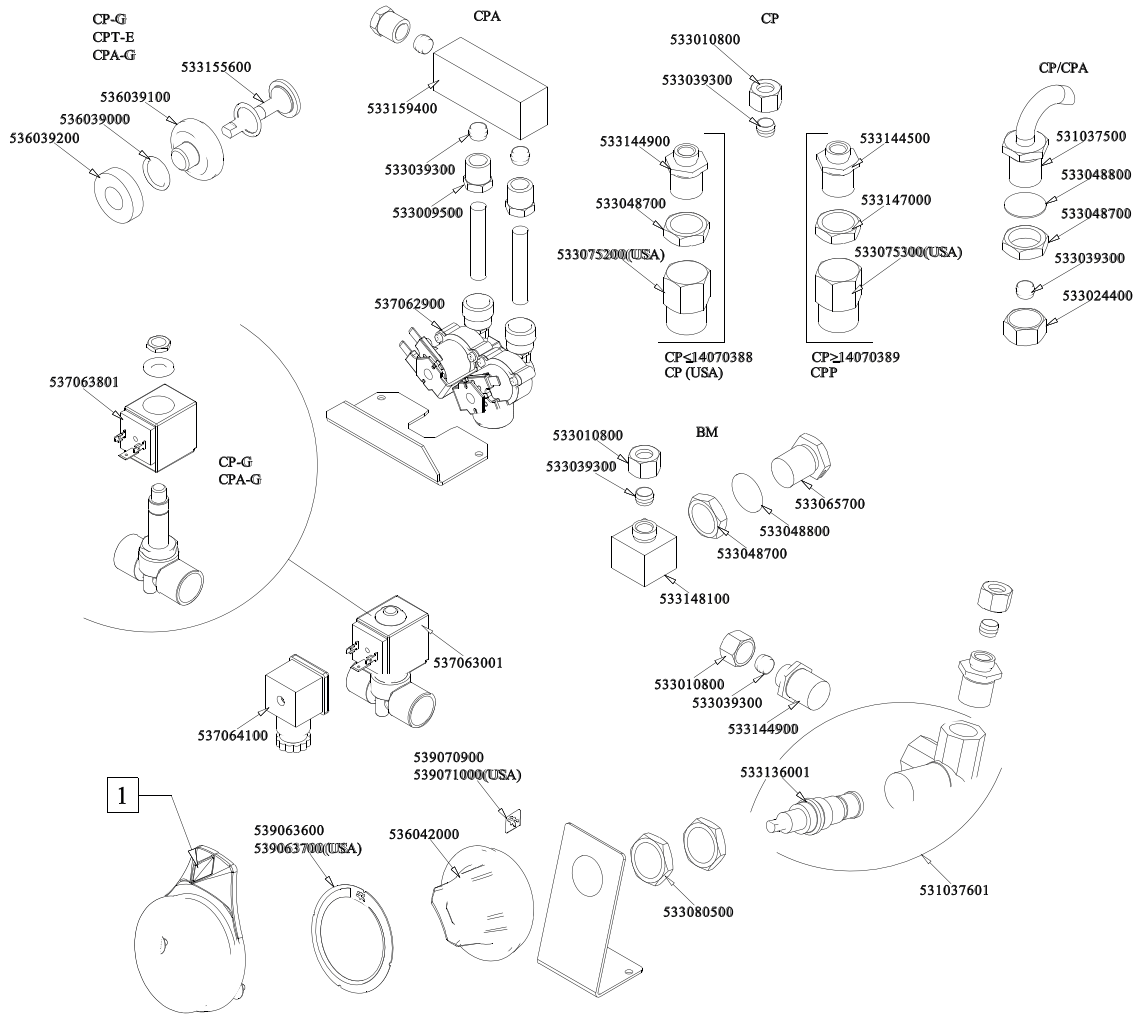
RM 700
 Platný od 1.5. 2019
 CP-76G



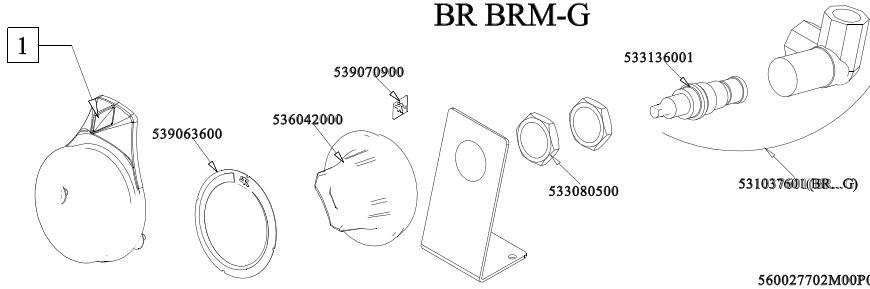
	*	**
G30-28+30mbar G31- 37mbar	533020800	533057700
G30- 50mbar	533020800	533057600
G20- 20mbar G25- 25mbar	533020300	533047500
G20- 20mbar DE-AT	533020300	533047500
G25- 20mbar	533020300	533046900
G25- 25mbar NL	533020300	533046800



Objednací kód	Popis v ENG
537015601	START BUTTON-BLACK
537062800	WATER SENSOR CENTRAL BOX 230V
537001701	P.D. GREEN SWITCH
537003800	TERMINAL BLOCK 3POLES 16A
531037701	BASKET SUPPORT GRID CP S.90
533144900	MALE FITTING WATER INLET M16X1,5
533039300	BICONE §10
544503800	
531056300	BURNER TUB.07 KW CP-76G S70
533010800	TUBE NUT D.10 M16*1,5
544173500	LEFT SIDE PANEL S.70
531042800	SEMISPHERE FILTER
539065800	BLACK STICKING DISK 72
536041800	SILVER CHROM. KNOB Ø77 4P.G.Ø08X6,5
544173400	RIGHT SIDE PANEL S.70
533018500	FITTING FOR BICONE D.6 M10*1
536005200	INOX LEG 2" 120-180 M10
532004100	FLUE GRID L=370 90LINE (RAF)
533039100	BICONE §6
539071700	ADHES.LABEL FOR RING GREEN SIGN.
546005800	RUBBER TUBE §25*§33*L=600
533039900	PIPE HOLDER 1" G M D.24
537031901	RED WARNING LIGHT PCI 12V E FASTON
533011500	PILOT BURNER 2 FLAMES 220
533157300	
533039400	THERMOCOUPLE M9*1*850
533157400	
531018600	BALL VALVE 1"G M-F CPM-62G
533085200	SPACER FOR PILOT PLUG
533040000	1"G F-F-F "T" FITTING
537008300	ROUND PLUG §2,4- LONG ELECTRODE
533149500	
547002600	HIGH-VOLTAGE CABLE L=500
533018600	PLUG FITTING
533157500	
533010400	BICONE D.6
541142700	BURNER SUPPORT FT-76G CP-76G
537060300	IGNITION CONTROL BOX 2F. V30
541157804	
531025500	GAS COCK 21S P.V.BY-PASS Ø130
541140703	
533069600	BY PASS COCK §130 20S-21S
533020800	NOZZLE 0160-FLUSS. (25)
533020300	NOZZLE 0160 (NATURAL GAS) 1-2 (41)
533057700	NOZZLE §130A CH12*30 F-BRF74
533057600	NOZZLE §115A CH12*30 G-BRF74
533047500	NOZZLE §205 CH12*30 ML-BM-8G
533046900	NOZZLE §225 CH12*30 G25 F1 25MBAR
533046800	NOZZLE §210 CH12*30 M-F1
-	-
-	-
-	-

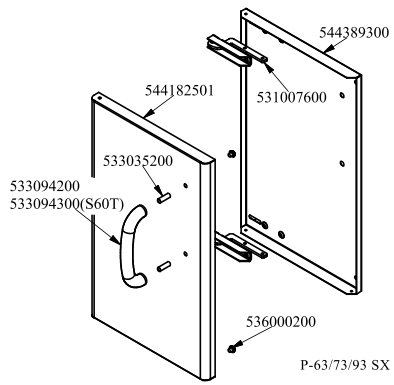


BR BRM-G

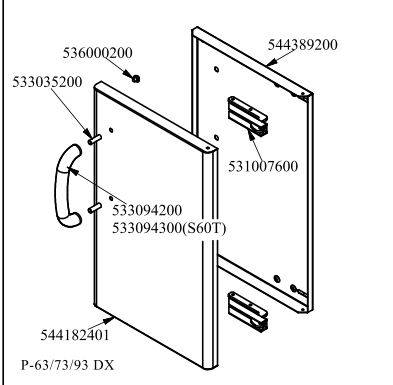




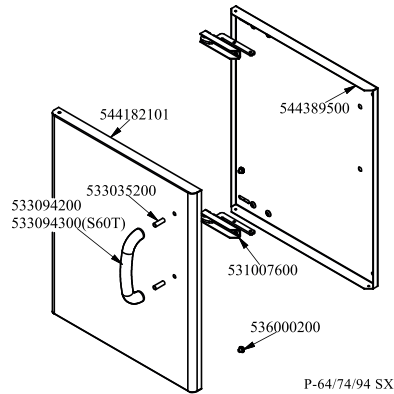
Objednací kód	Popis v ENG
536042000	SILVER CHROM. KNOB Ø77 4P.G.Ø8SX6,5
533136001	SCREW TAP WATER LOAD FOR CP S70/90
531037601	TAP FOR WATER 90°DX CP
539063600	ADHESIVE DISK 72 FOR DRAIN COCK
539070900	ADHES.LABEL FOR RING WATER TAP
531037601	TAP FOR WATER 90°DX CP
533010800	TUBE NUT D.10 M16*1,5
533039300	BICONE §10
533144900	MALE FITTING WATER INLET M16X1,5
539071000	PROCESSING CODE
539063700	ADHESIVE DISK 72 FOR DRAIN COCK USA
533048700	NUT 1/2G ZN
533075200	PROCESSING CODE
533147000	BICONE FITTING 3/4G ZN
533144500	FITTING FOR WATER INPUT 3/4G
533075300	PROCESSING CODE
533080500	PROCESSING CODE
533148100	
533048800	GASKET §30*§21*2 FIBRE
533065700	FITTING FOR WATER INPUT 1/2G
531037500	PROCESSING CODE
533024400	HEXAGONAL NUT 1/2G TUBE D.10
537062900	ELECTRO-VALVE 3/4GM-2Ø10JG 230V RPV
533009500	NIPPLE FOR BICONE 10S
533159400	
536039000	GASKET O-RING 12,42X1,78 SILIC.
536039100	GUIDE FOR WATER SENSOR
533155600	PIVOT SENSOR FOR WATER
536039200	SPACER FOR WATER SENSOR
537064100	CONNECTION * ELECTROVALVE 537063001
537063801	
537063001	ELECTROVALVE G 1/2 230V
-	-



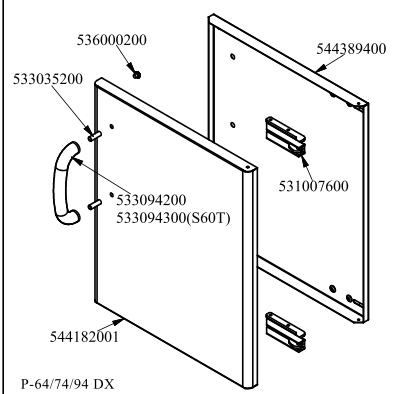
P-63/73/93 SX



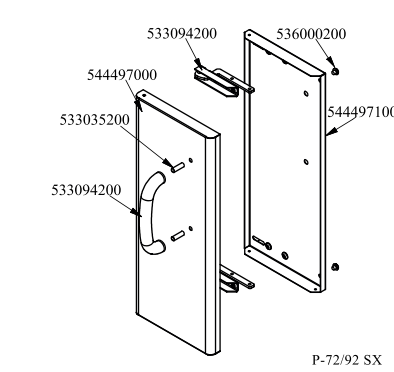
P-63/73/93 DX



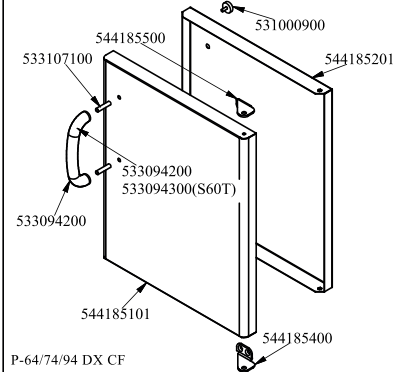
P-64/74/94 SX



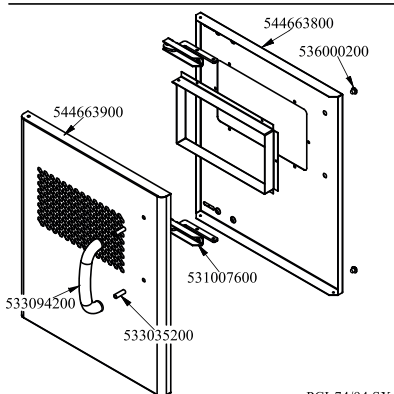
P-64/74/94 DX



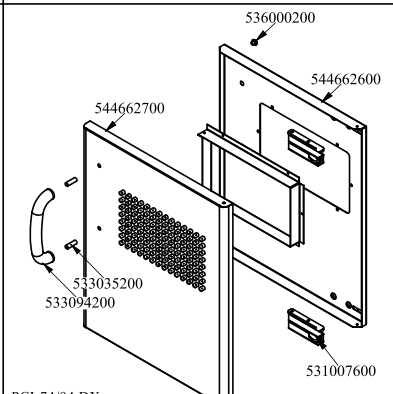
P-72/92 SX



P-64/74/94 DX CF



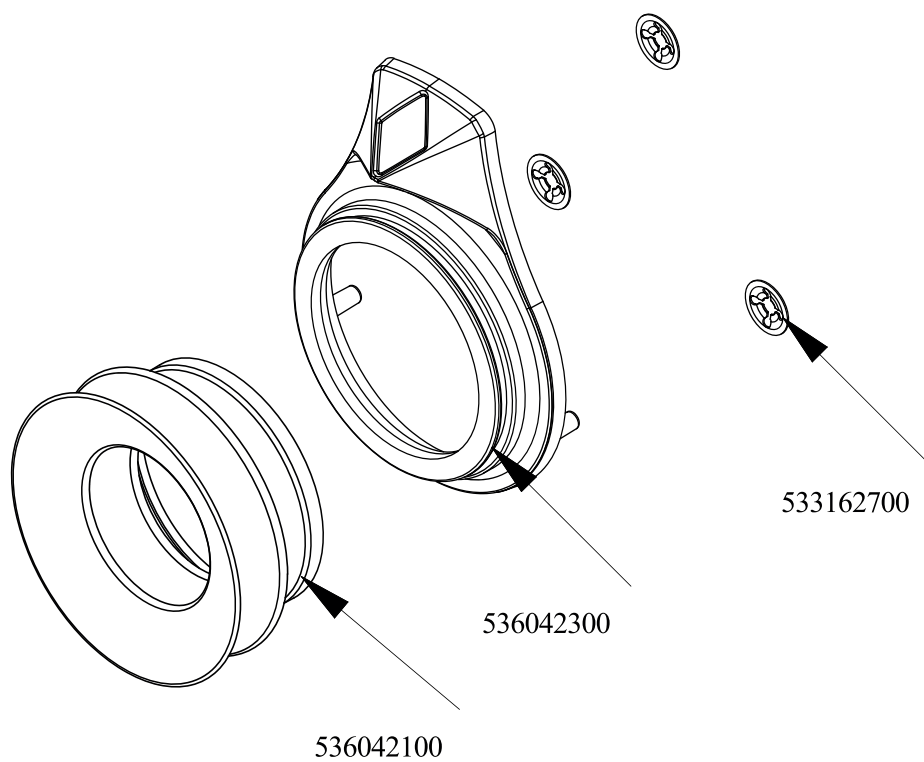
PCI-74/94 SX



PCI-74/94 DX



Objednací kód	Popis v ENG
544185101	RIGHT DOOR 74 CF
533107100	HANDLE SPACER OF CF-70
533094200	S/S HANDLE FOR 70/90 SERIES
544185400	LOWER DOOR HINGE FOR COMPARTME CF70
544185500	UPPER DOOR HINGE FOR COMPARTME CF70
544185201	INNER DOOR * 74DX
531000900	MAGNET §22 KG.3 WITH DISK
536000200	D.12 H.4 BUMPER
544182001	RIGHT DOOR 74
531007600	DOOR HINGE
544389400	
533035200	HANDLE SPACER
544182101	LEFT DOOR 74
544389500	INNER-DOOR OF LHD 74
544182401	RIGHT DOOR 73
544389200	
544389300	
544182501	LEFT DOOR 73
544497000	
544497100	
544663900	LHD 74 DOOR FOR PCI
544663800	74 LHD OVEN INNER DOOR FOUR PCI
544662700	DOOR 74 DX PCI
544662600	
533094300	S/S HANDLE FOR 600T.LINE



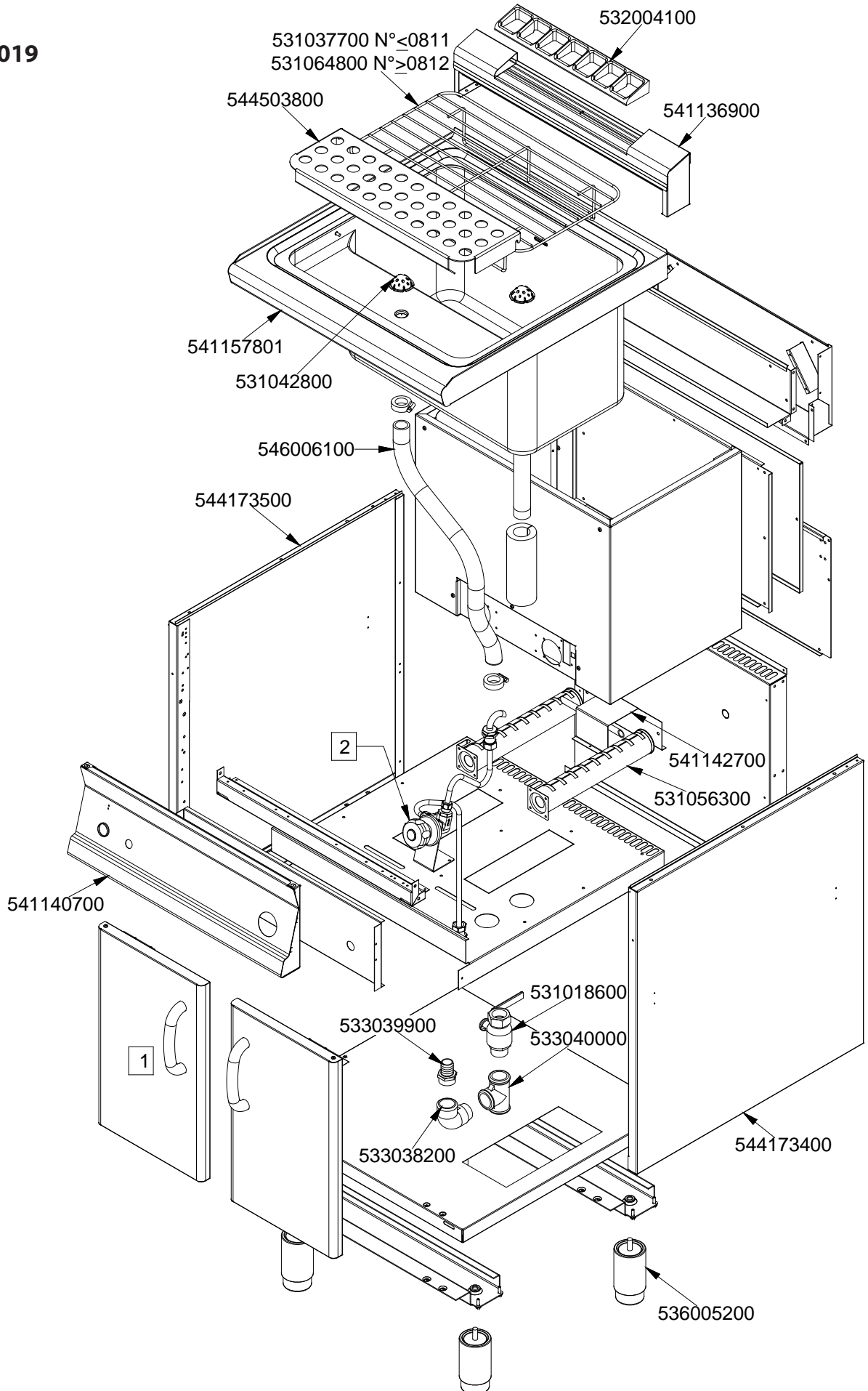
560125700M00P00



Objednačí kód	Popis v ENG
536042300	SILVER CHROM. RING FOR KNOB Ø77 4 P
536042100	SEAL CASING FOR KNOB Ø77 4 P
533162700	PROCESSING CODE

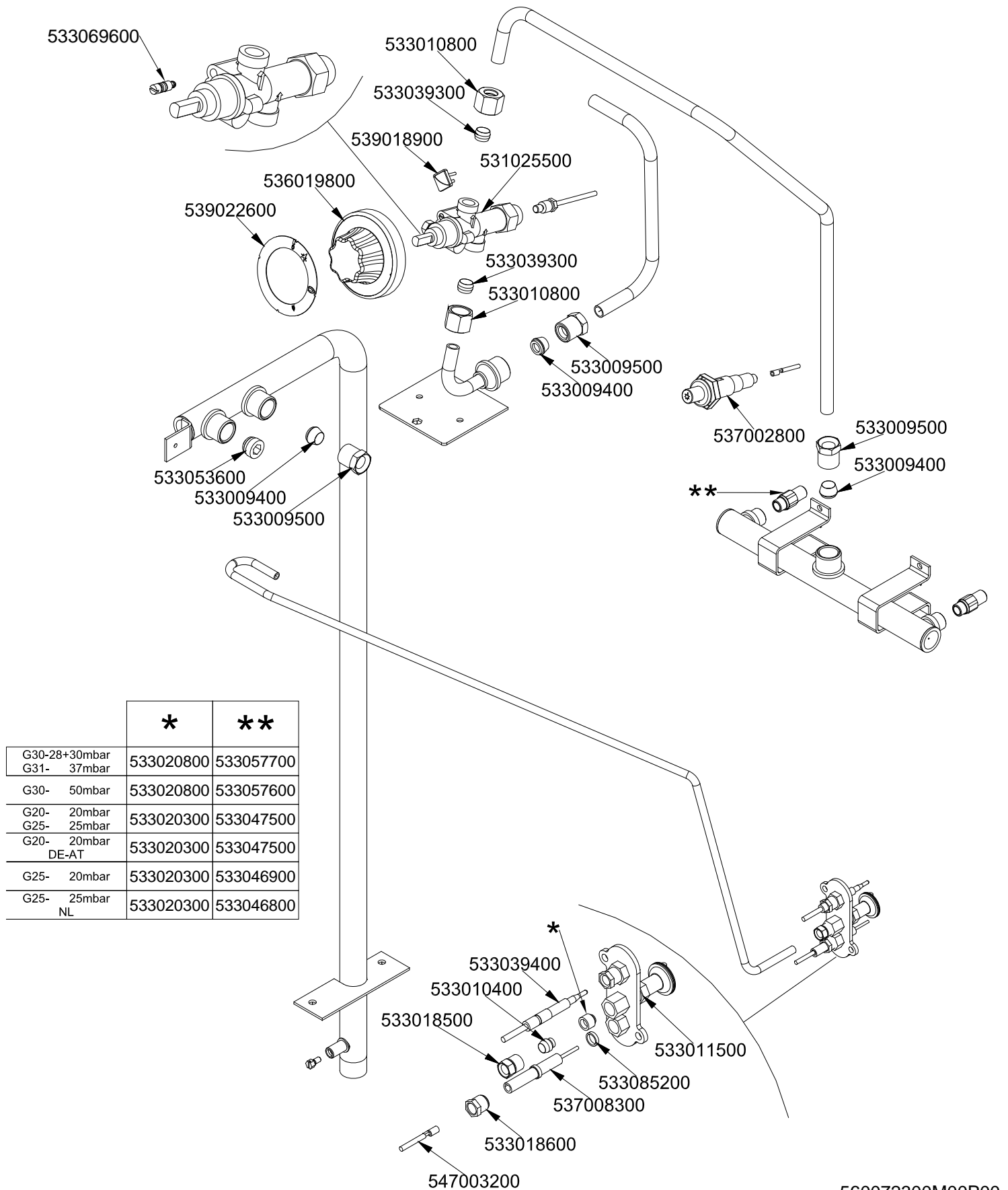


CP - 76 G
 Platný od
 1.5.2016
 do 30.4.2019





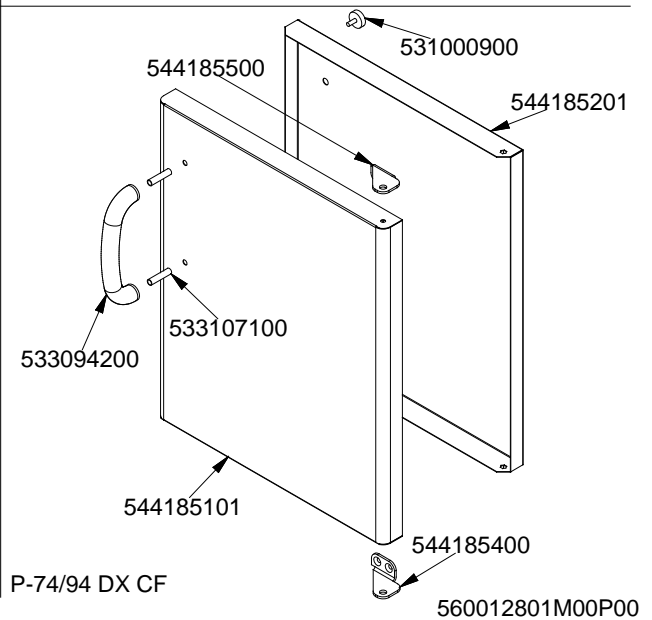
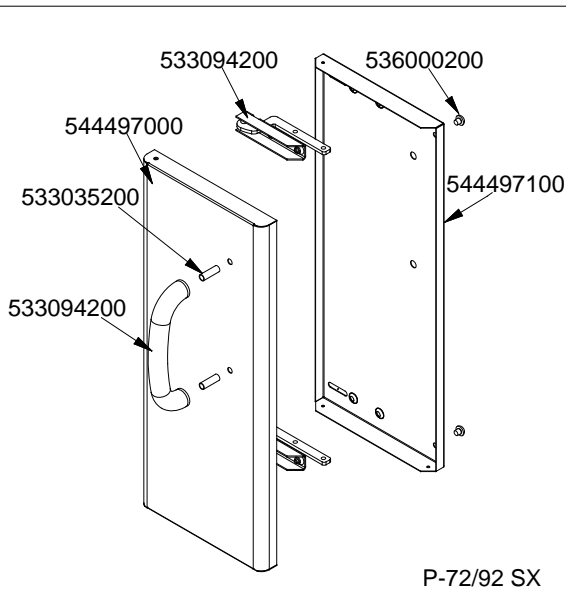
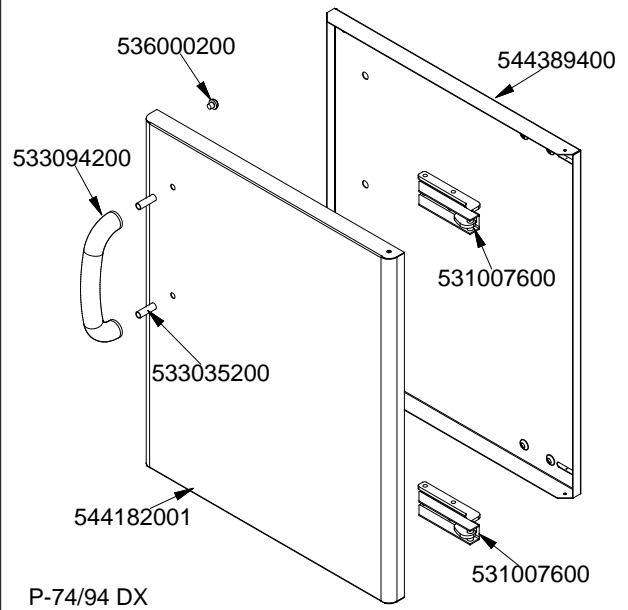
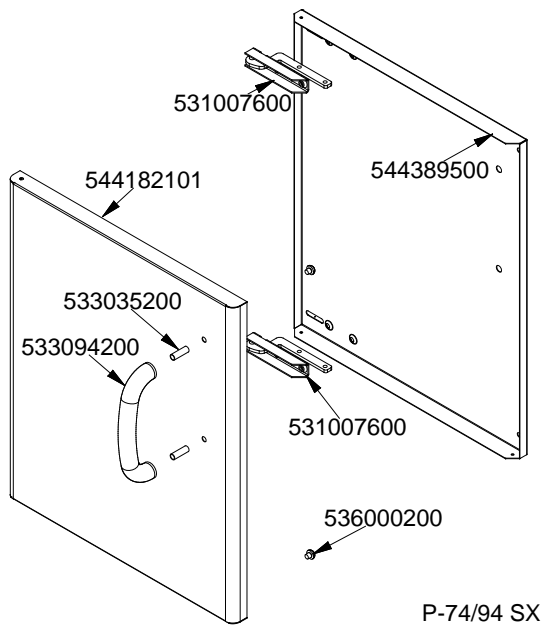
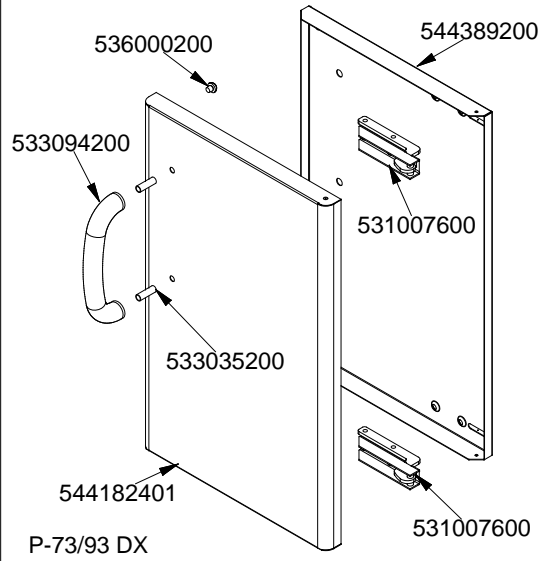
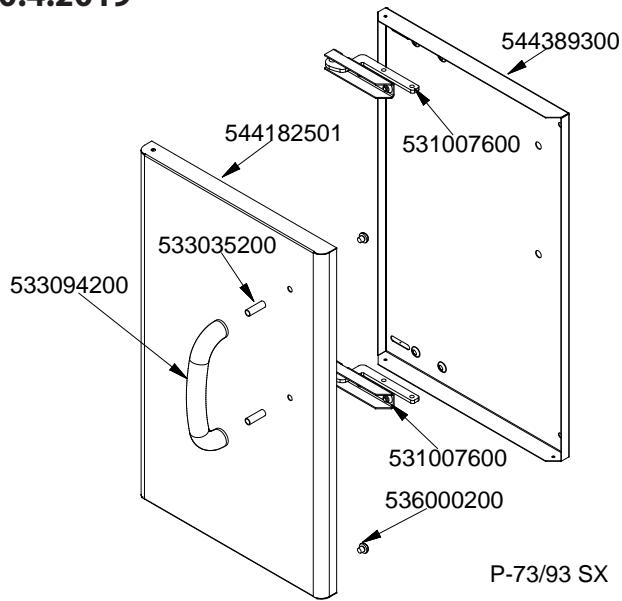
CP - 76 G
Platný od
1.5.2016
do 30.4.2019



	*	**
G30-28+30mbar	533020800	533057700
G31- 37mbar		
G30- 50mbar	533020800	533057600
G20- 20mbar	533020300	533047500
G25- 25mbar		
G20- 20mbar DE-AT	533020300	533047500
G25- 20mbar	533020300	533046900
G25- 25mbar NL	533020300	533046800

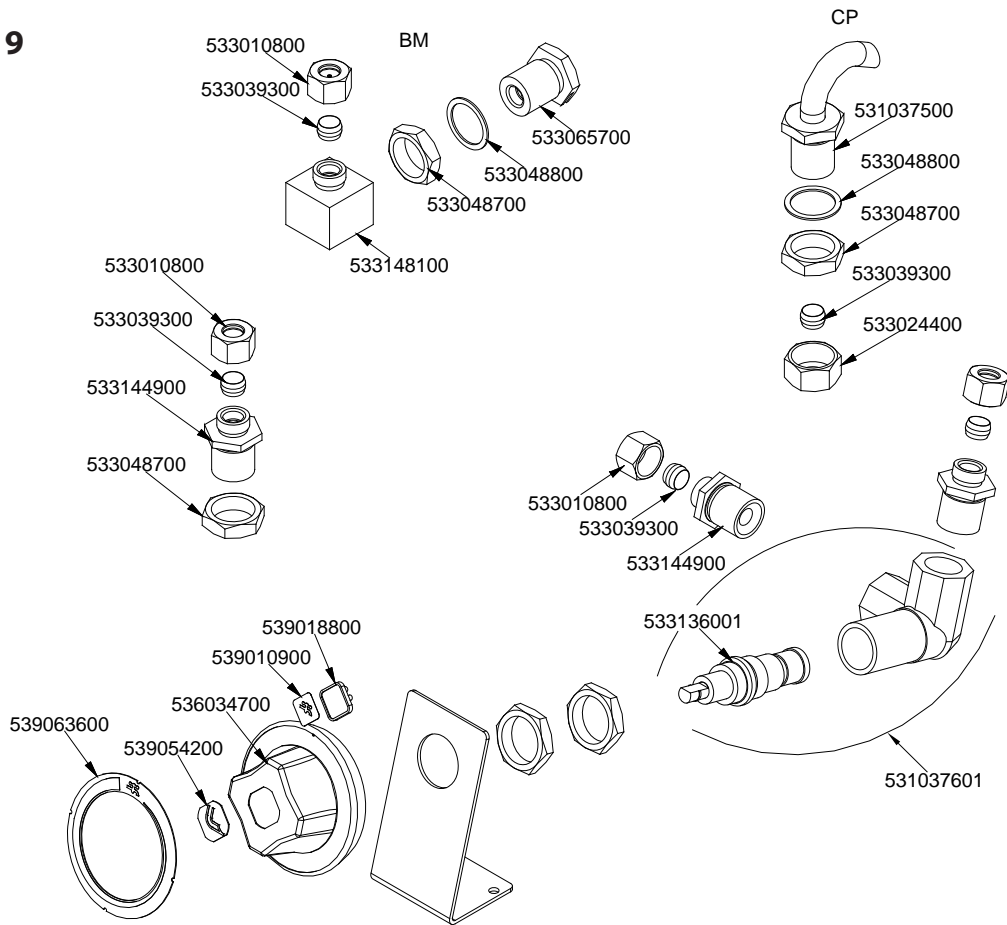


CP - 76 G (1)
 Platný od
 1.5.2016
 do 30.4.2019

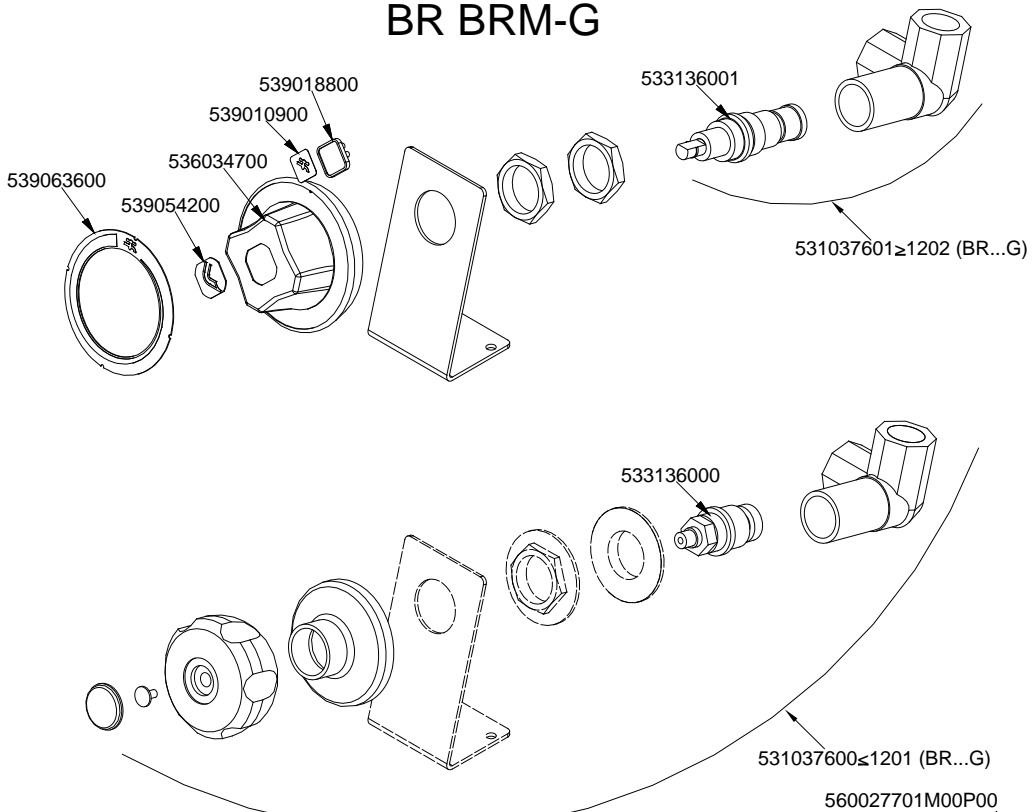




CP - 76 G
(2)
Platný od
1.5.2016
do 30.4.2019



BR BRM-G





CP - 76 G

(2)

Platný od

1.5.2016

do 30.4.2019

