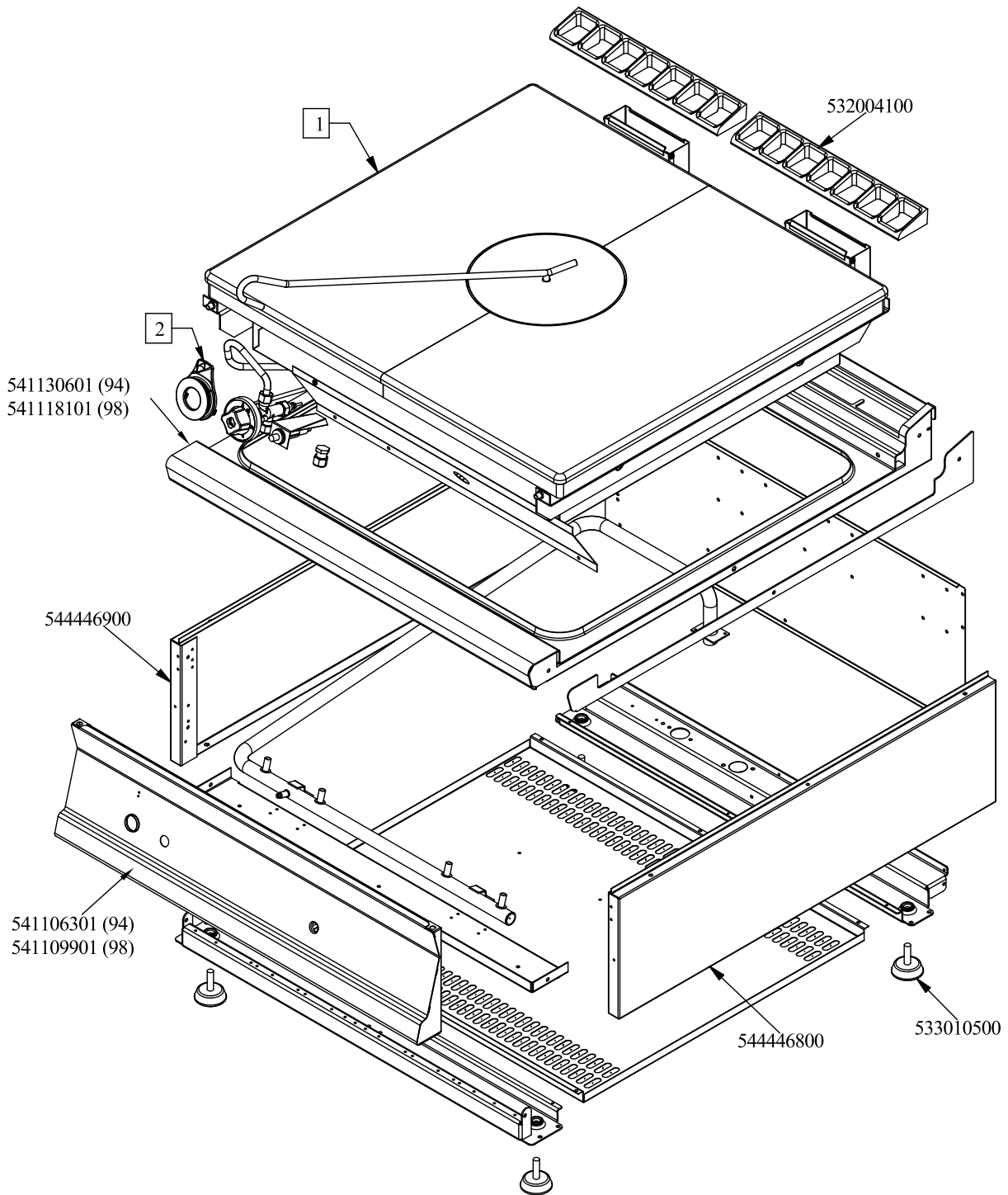
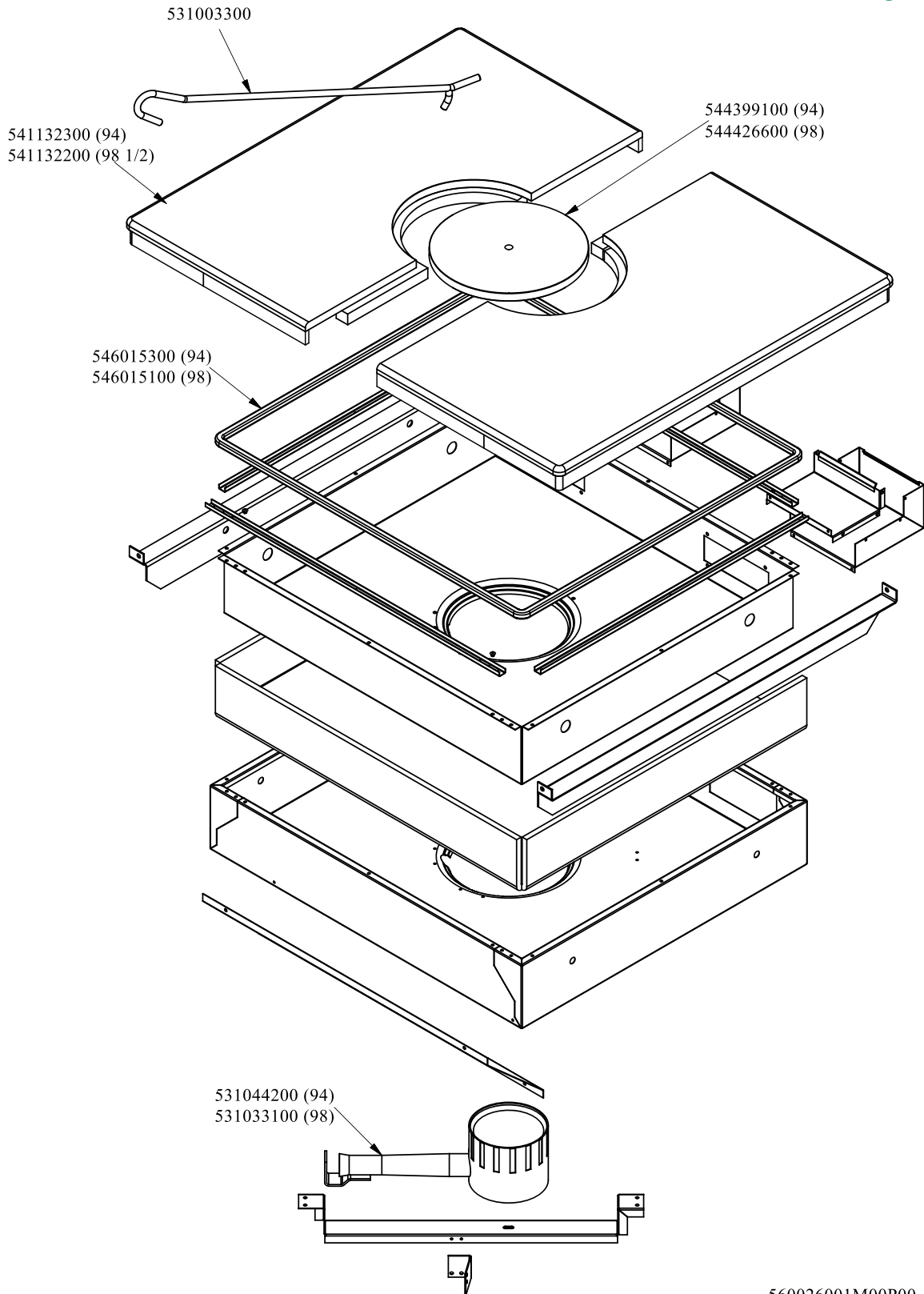


RM 900
 Platný od 1.5. 2019
 TPT-94G,TPT-98G



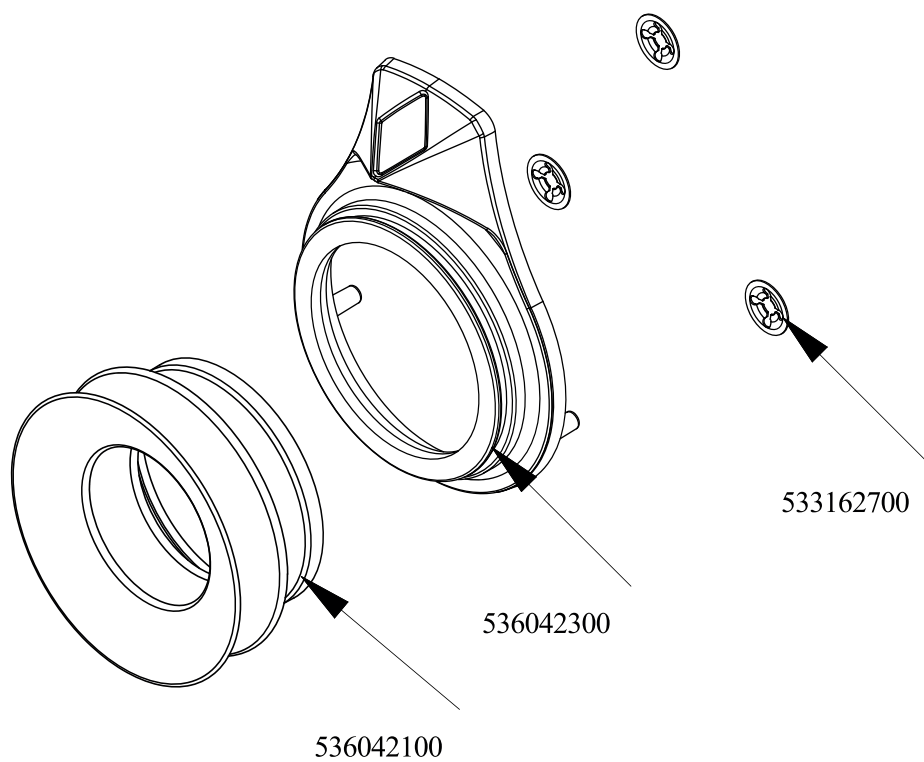


Objednačí kód	Popis v ENG
541118101	PROCESSING CODE
541109901	
533010500	LEG M10*25 D.40
544446800	
544446900	LHD SIDE FOR 90T APPLIANCES
532004100	FLUE GRID L=370 90LINE (RAF)
-	-
-	-





Objednací kód	Popis v ENG
544399100	PLATE RING FOR TP-74G TP-94G
544426600	PLATE RING FOR TP-98G
531044200	CIRCULAR BURNER TP D.066
531033100	BURNER TP..-78G
546015300	SQUARE BRAID 12*12*L=1821
546015100	SQUARE BRAID OF INSULATING MATERIAL
541132300	PLATE TP-94G
541132200	PLATE TP-98G (1/2)



560125700M00P00



Objednací kód	Popis v ENG
536042300	SILVER CHROM. RING FOR KNOB Ø77 4 P
536042100	SEAL CASING FOR KNOB Ø77 4 P
533162700	PROCESSING CODE