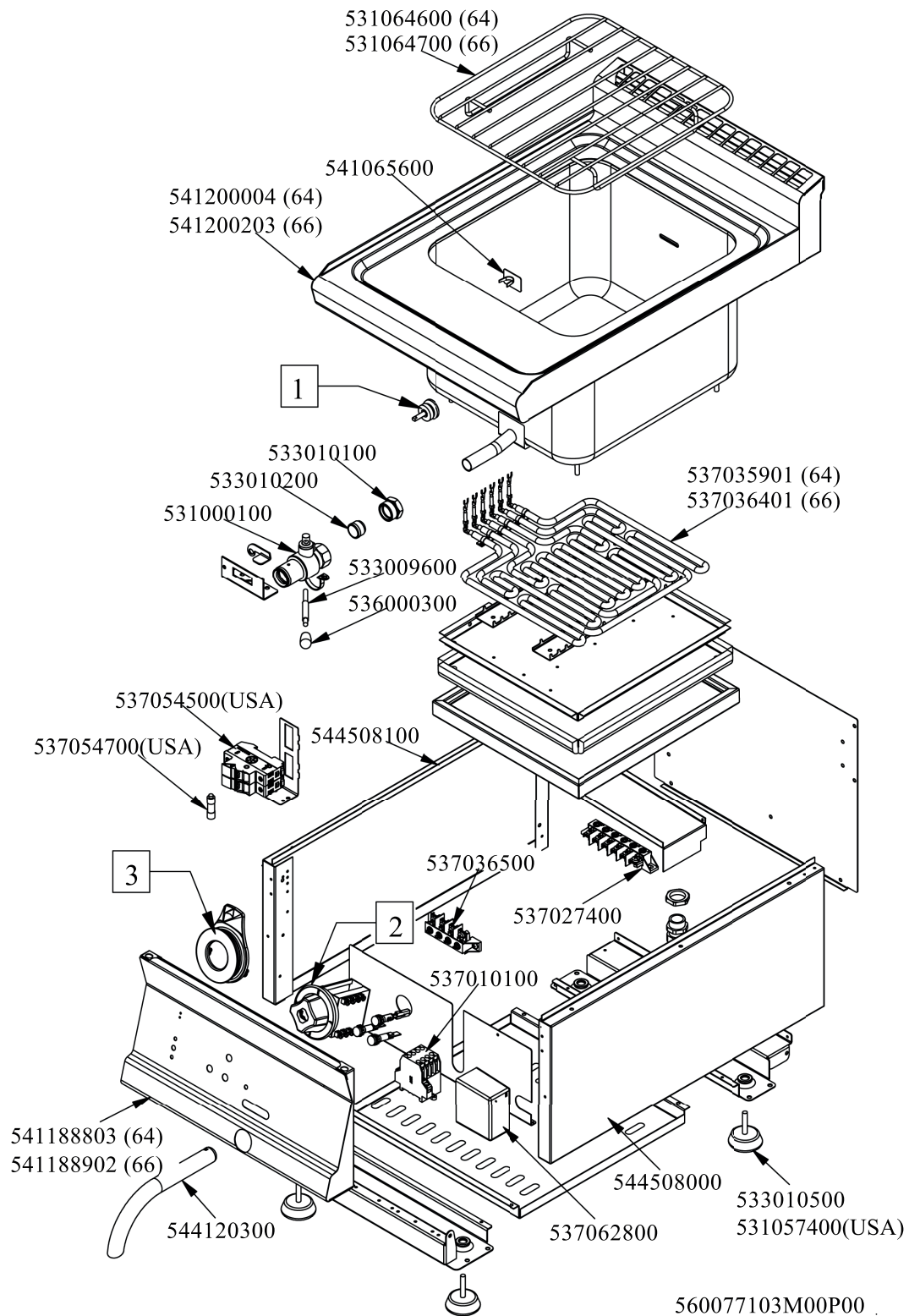
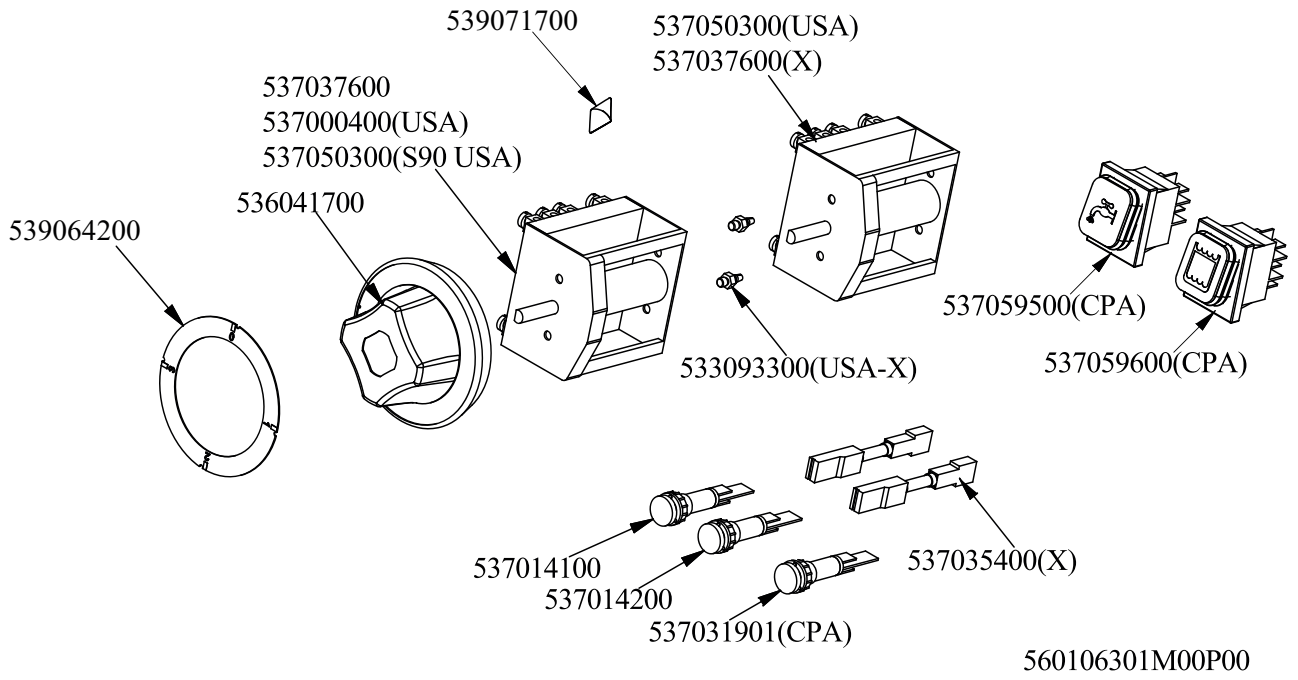


RM 600  
Platný od 1.5. 2019  
CPT-66ET



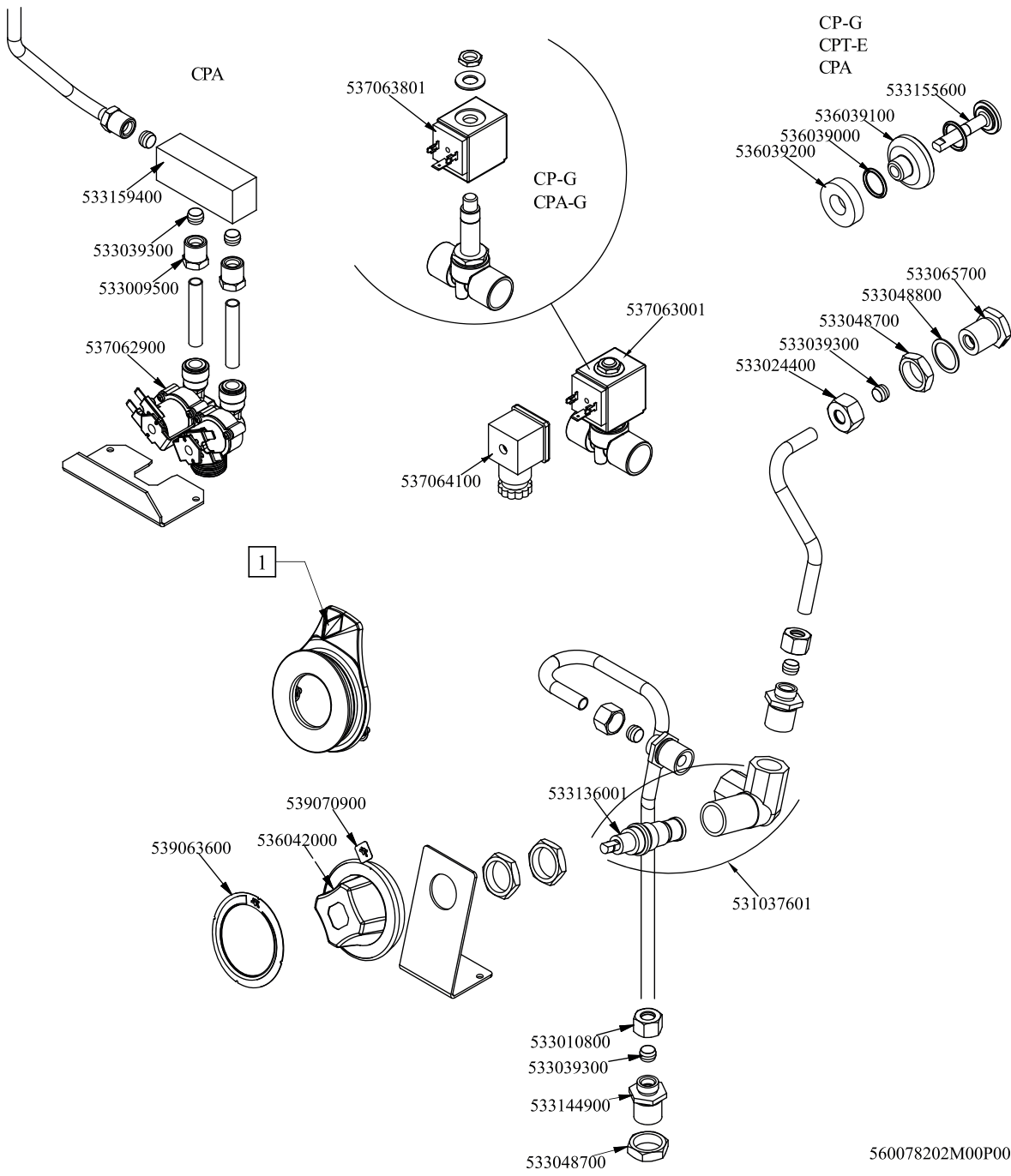


Objednací kód	Popis v ENG
531064600	GRID FOR BASKET SUPPORT * CPT-64/74
541065600	DRAIN FILTER CP-E 65
544508000	RHD SIDE OF 60T APPLIANCES
537027400	TERMINAL BLOCK THREEPHASE 40A
533010200	BICONE 18S
533010100	3/4 D. 18 PIPE UNION
537035901	HEATING EL. CPT-64E 5000W 230V3
531000100	DRAIN COCK 3/4"
533009600	DRAIN COCK HANDLE
536000300	FIXED GRIP D.15*25*M6
544508100	LHD SIDE OF 60T APPLIANCES
544120300	DRAIN PIPE 22 FOR COCK 3/4"G
541188803	
541200004	
537036500	TERMINAL BLOCK 4POLES 40A SCREW-SCR
537010100	REMOTE CONTROL SWITCH 20A 230V
537062800	WATER SENSOR CENTRAL BOX 230V
533010500	LEG M10*25 D.40
-	-
-	-
-	-



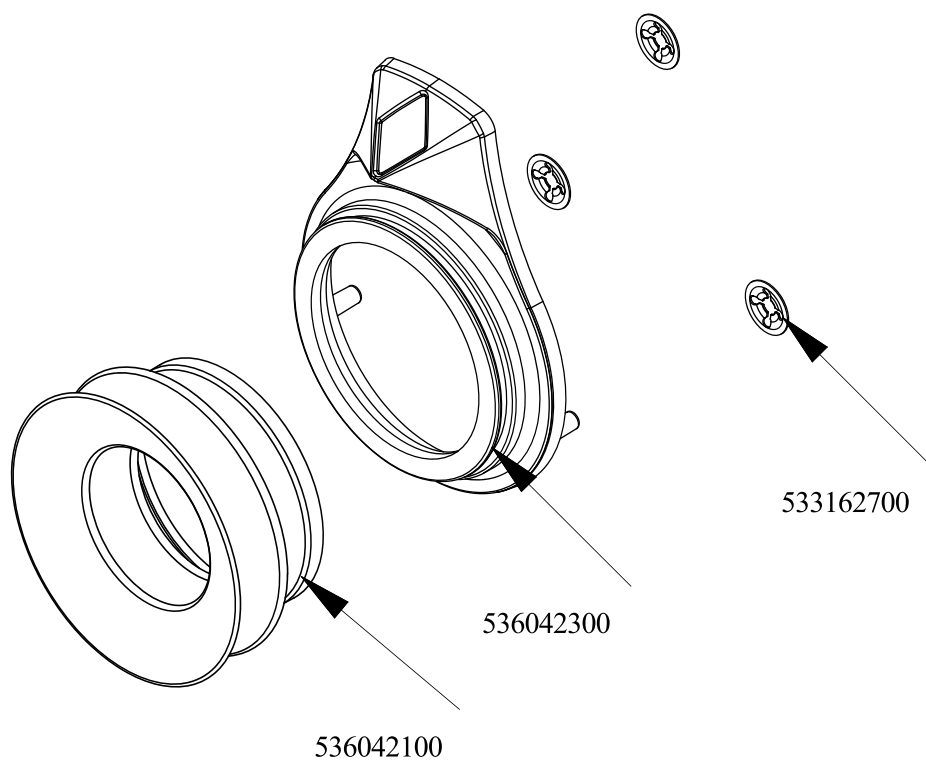


Objednací kód	Popis v ENG
536041700	SILVER CHROM. KNOB Ø77 4P.G.Ø06X4,6
537014100	WHITE WARNING LIGHT 250V
537014200	GREEN WARNING LIGHT 250V
537037600	COMMUTATOR 4 POS.3PHASE S.43 32A
537000400	COMMUTATOR 1 POS.SINGLEPHASE S49 16A
537050300	COMMUTAT.4POS.3PHASE 43 32A CP UL
<b>539065800</b>	BLACK ADESIVE DISK FOR CPT-ET
539063800	ADHESIVE DISK 72 4 P.DRAIN COCK USA
533093300	LOCKING PIN SWITCH S.43 THERMOST
537059500	P.D. BLUE SWITCH
537059600	
537031901	RED WARNING LIGHT PCI 12V E FASTON
537050300	COMMUTAT.4POS.3PHASE 43 32A CP UL
537037600	COMMUTATOR 4 POS.3PHASE S.43 32A
537035400	HEATING ELEMENT 00003W 330KOHM W/F
539071700	ADHES.LABEL FOR RING GREEN SIGN.





Objednací kód	Popis v ENG
539063600	ADHESIVE DISK 72 FOR DRAIN COCK
539054200	STAMP Ø20,5 CR."L" LOTUS R.
536042000	SILVER CHROM. KNOB Ø77 4P.G.Ø8SX6,5
539070900	ADHES.LABEL FOR RING WATER TAP
533136001	SCREW TAP WATER LOAD FOR CP S70/90
533024400	HEXAGONAL NUT 1/2G TUBE D.10
533039300	BICONE §10
533048700	NUT 1/2G ZN
533048800	GASKET §30*§21*2 FIBRE
533065700	FITTING FOR WATER INPUT 1/2G
533010800	TUBE NUT D.10 M16*1,5
531037601	TAP FOR WATER 90°DX CP
537062900	ELECTRO-VALVE 3/4GM-2Ø10JG 230V RPV
533009500	NIPPLE FOR BICONE 10S
533159400	
536039000	GASKET O-RING 12,42X1,78 SILIC.
536039100	GUIDE FOR WATER SENSOR
533155600	PIVOT SENSOR FOR WATER
536039200	SPACER FOR WATER SENSOR
537064100	CONNECTION * ELECTROVALVE 537063001
537063801	
537063001	ELECTROVALVE G 1/2 230V
533144900	MALE FITTING WATER INLET M16X1,5
-	-



560125700M00P00



Objednačí kód	Popis v ENG
536042300	SILVER CHROM. RING FOR KNOB Ø77 4 P
536042100	SEAL CASING FOR KNOB Ø77 4 P
533162700	PROCESSING CODE





CPT - 64 ET, CPT - 66 ET  
 Platnost 1.5.2016 do  
 30.4.2019

