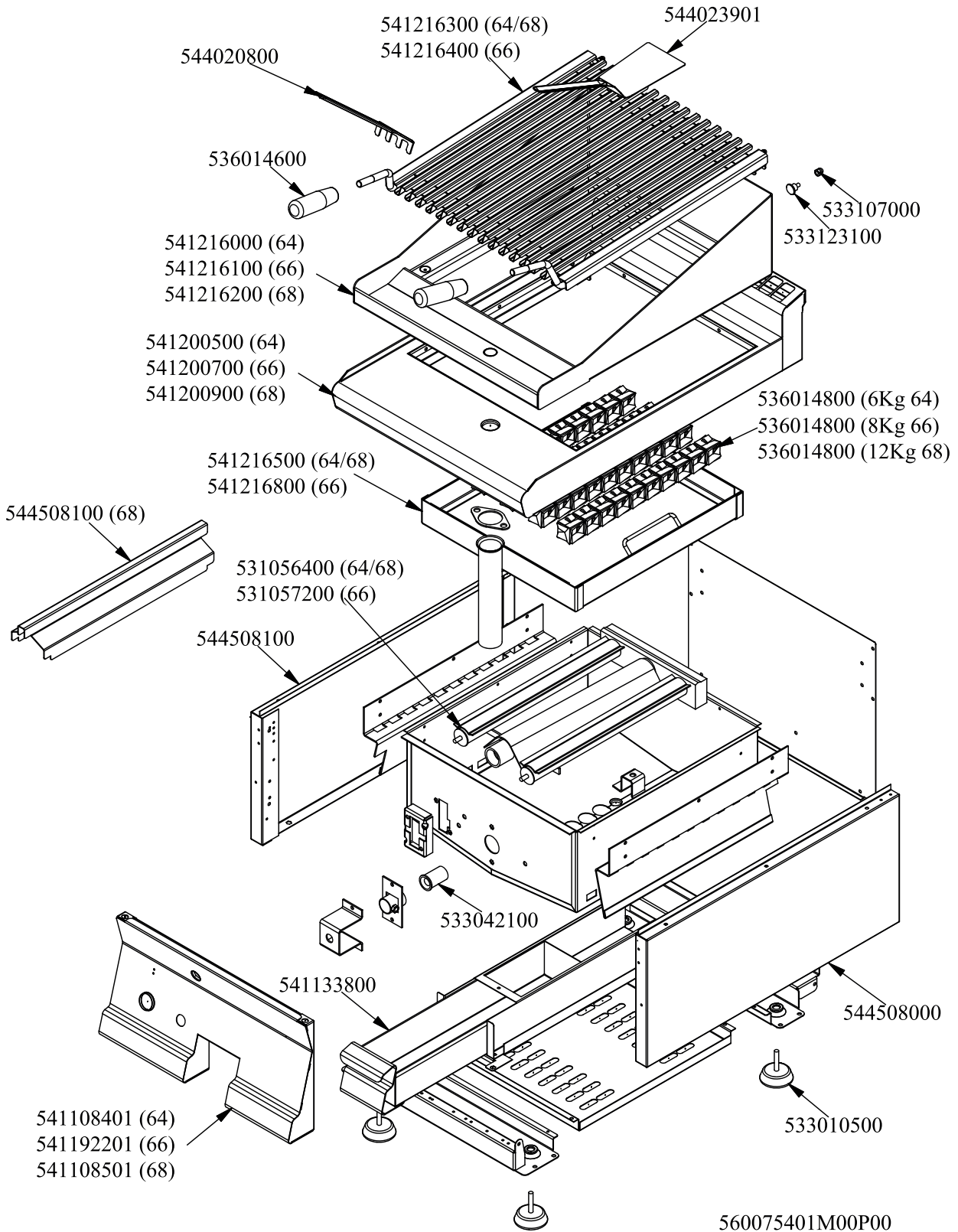


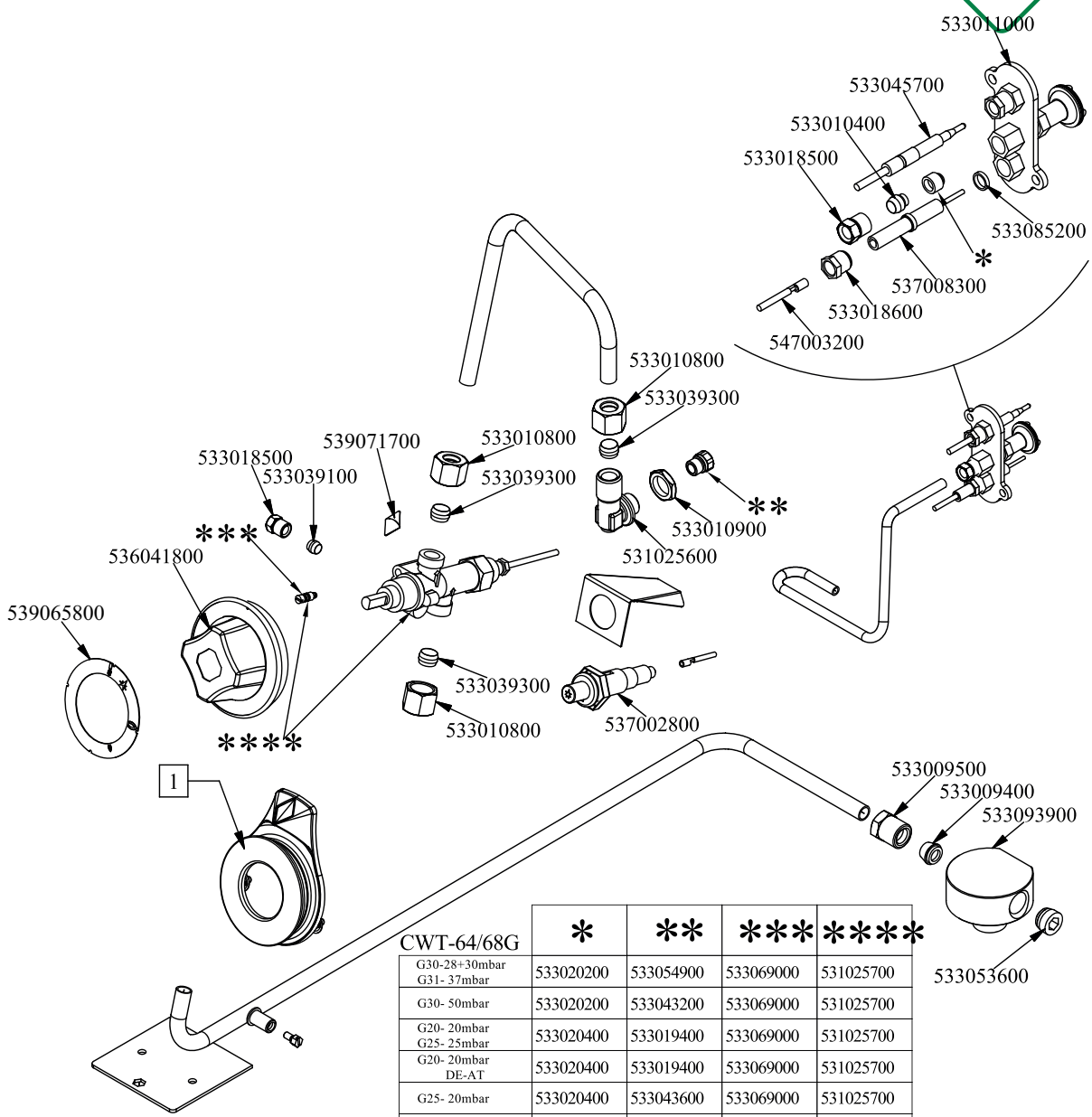


RM 600
 Platný od 1.5. 2019
 CWT-68G





Objednací kód	Popis v ENG
533020200	PILOT JETS 0160 FOR LPG §30
541108401	FRONT PANEL * 607090S CW-74/94G
533020400	NOZZLE 0160 (NATURAL GAS) 51
533054900	NOZZLE §120 CH12*14
533010500	LEG M10*25 D.40
533043200	NOZZLE §110 G30 (LPG) CH12X14
533019400	NOZZLE §180 CH12*14 L-FQ5
536014600	GRIP D.28*90*M10 CW
533043600	NOZZLE §200 CH12*14 L-PC4 UR
541216300	GRID CWT-64
533043100	NOZZLE §185 G25 CH12X14
533069000	BY PASS COCK §70 20S-21S
544023901	SPATTLE FOR FRY-TOP
531025700	SAFETY TAP 21S-B PEL21S22070
541200500	UPPER PLATE CWT-64G
533014900	NOZZLE §150 CH12*14 F-FQ5 L-FQ6
533120000	NOZZLE §132 CH12*14,0
533056100	NOZZLE §220 CH12*14
541216000	SPLASH GUARD CWT-64
533056300	NOZZLE §240 CH12*14
533056200	NOZZLE §230 CH12*14
533047900	BY PASS COCK §100 21S
536014800	LAVASTONE
531032100	GAS COCK 21S P.V.BY-PASS Ø100
533053600	EUROSIT VALVE PLUG
533010800	TUBE NUT D.10 M16*1,5
541216500	STONE SUPPORTING FRAME CWT-64G
533039300	BICONE §10
531025600	ELBOW 90° NOZZLE-HOLDER §10 PIPE
531056400	BURNER CWT-64G 5,0KW
533010900	NUT M14*1 H.4
537002800	PIEZOELECTRIC IGNITION M18 WITH NUT
544508100	LHD SIDE OF 60T APPLIANCES
533018500	FITTING FOR BICONE D.6 M10*1
541133800	DRIP TRAY FT-55
533039100	BICONE §6
533042100	AIR ADJUSTMENT BUSHING CW-G
539070500	ADHES.LABEL FOR RING RED SIGN.
544508000	RHD SIDE OF 60T APPLIANCES
533011000	PILOT BURNER 3 FLAMES 320
544020800	SPATTLE FOR CW S70 S90
533010400	BICONE D.6
533045700	THERMOCOUPLE M9*1 500
533123100	PROCESSING CODE
533107000	PROCESSING CODE
547003200	HIGH-VOLTAGE CABLE TUBE.§2 L=500
533018600	PLUG FITTING
537008300	ROUND PLUG §2,4- LONG ELECTRODE
533085200	SPACER FOR PILOT PLUG
533009400	BICONE 10S
533093900	FITTING GAS ENTRY 1/2G 2OUT 3/8G
533009500	NIPPLE FOR BICONE 10S
539062800	RED STICKING DISK 72
536041800	SILVER CHROM. KNOB Ø77 4P.G.Ø08X6,5
539054200	STAMP Ø20,5 CR."L" LOTUS R.
-	-

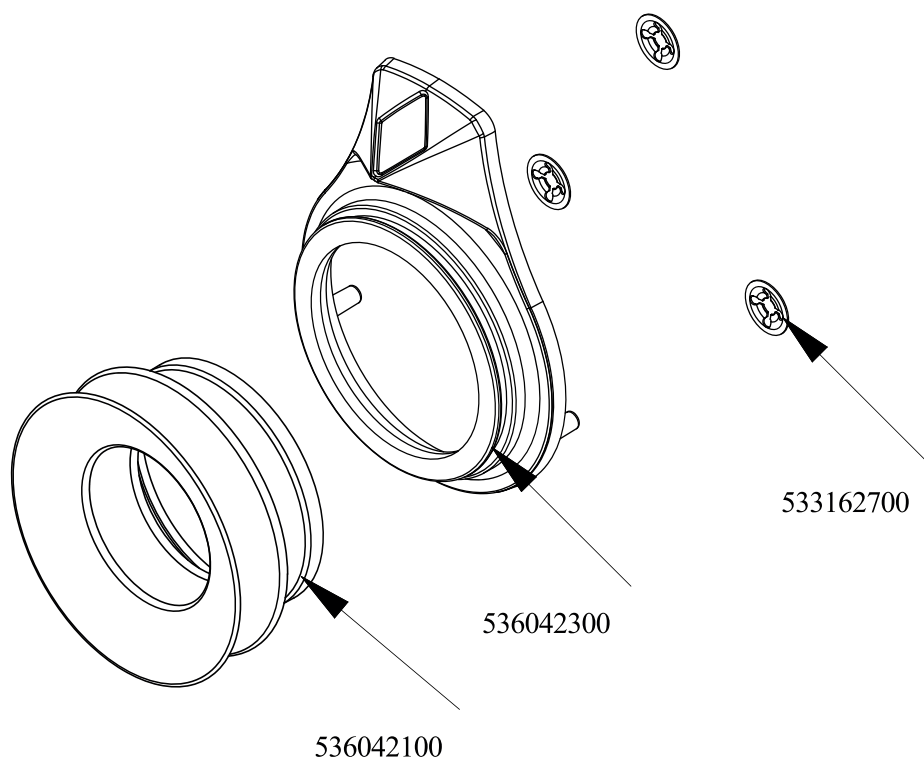


CWT-64/68G	*	**	***	****	*****
G30-28+30mbar G31-37mbar	533020200	533054900	533069000	531025700	533053600
G30-50mbar	533020200	533043200	533069000	531025700	
G20-20mbar G25-25mbar	533020400	533019400	533069000	531025700	
G20-20mbar DE-AT	533020400	533019400	533069000	531025700	
G25-20mbar	533020400	533043600	533069000	531025700	
G25-25mbar NL	533020400	533043100	533069000	531025700	
CWT-66G	*	**	***	****	*****
G30-28+30mbar G31-37mbar	533020200	533014900	533047900	531032100	
G30-50mbar	533020200	533120000	533047900	531032100	
G20-20mbar G25-25mbar	533020400	533056100	533047900	531032100	
G20-20mbar DE-AT	533020400	533056100	533047900	531032100	
G25-20mbar	533020400	533056300	533047900	531032100	
G25-25mbar NL	533020400	533056200	533047900	531032100	

560075501M00P00



Objednačí kód	Popis v ENG
533020200	PILOT JETS 0160 FOR LPG §30
533020400	NOZZLE 0160 (NATURAL GAS) 51
533054900	NOZZLE §120 CH12*14
533043200	NOZZLE §110 G30 (LPG) CH12X14
533019400	NOZZLE §180 CH12*14 L-FQ5
533043600	NOZZLE §200 CH12*14 L-PC4 UR
533043100	NOZZLE §185 G25 CH12X14
533069000	BY PASS COCK §70 20S-21S
531025700	SAFETY TAP 21S-B PEL21S22070
533014900	NOZZLE §150 CH12*14 F-FQ5 L-FQ6
533120000	NOZZLE §132 CH12*14,0
533056100	NOZZLE §220 CH12*14
533056300	NOZZLE §240 CH12*14
533056200	NOZZLE §230 CH12*14
533047900	BY PASS COCK §100 21S
531032100	GAS COCK 21S P.V.BY-PASS Ø100
533053600	EUROSIT VALVE PLUG
533010800	TUBE NUT D.10 M16*1,5
533039300	BICONE §10
531025600	ELBOW 90° NOZZLE-HOLDER §10 PIPE
533010900	NUT M14*1 H.4
537002800	PIEZOELECTRIC IGNITION M18 WITH NUT
533018500	FITTING FOR BICONE D.6 M10*1
533039100	BICONE §6
539071700	ADHES.LABEL FOR RING GREEN SIGN.
533011000	PILOT BURNER 3 FLAMES 320
533010400	BICONE D.6
533045700	THERMOCOUPLE M9*1 500
547003200	HIGH-VOLTAGE CABLE TUBE.§2 L=500
533018600	PLUG FITTING
537008300	ROUND PLUG §2,4- LONG ELECTRODE
533085200	SPACER FOR PILOT PLUG
533009400	BICONE 10S
533093900	FITTING GAS ENTRY 1/2G 2OUT 3/8G
533009500	NIPPLE FOR BICONE 10S
539065800	BLACK STICKING DISK 72
536041800	SILVER CHROM. KNOB Ø77 4P.G.Ø08X6,5
-	-



560125700M00P00



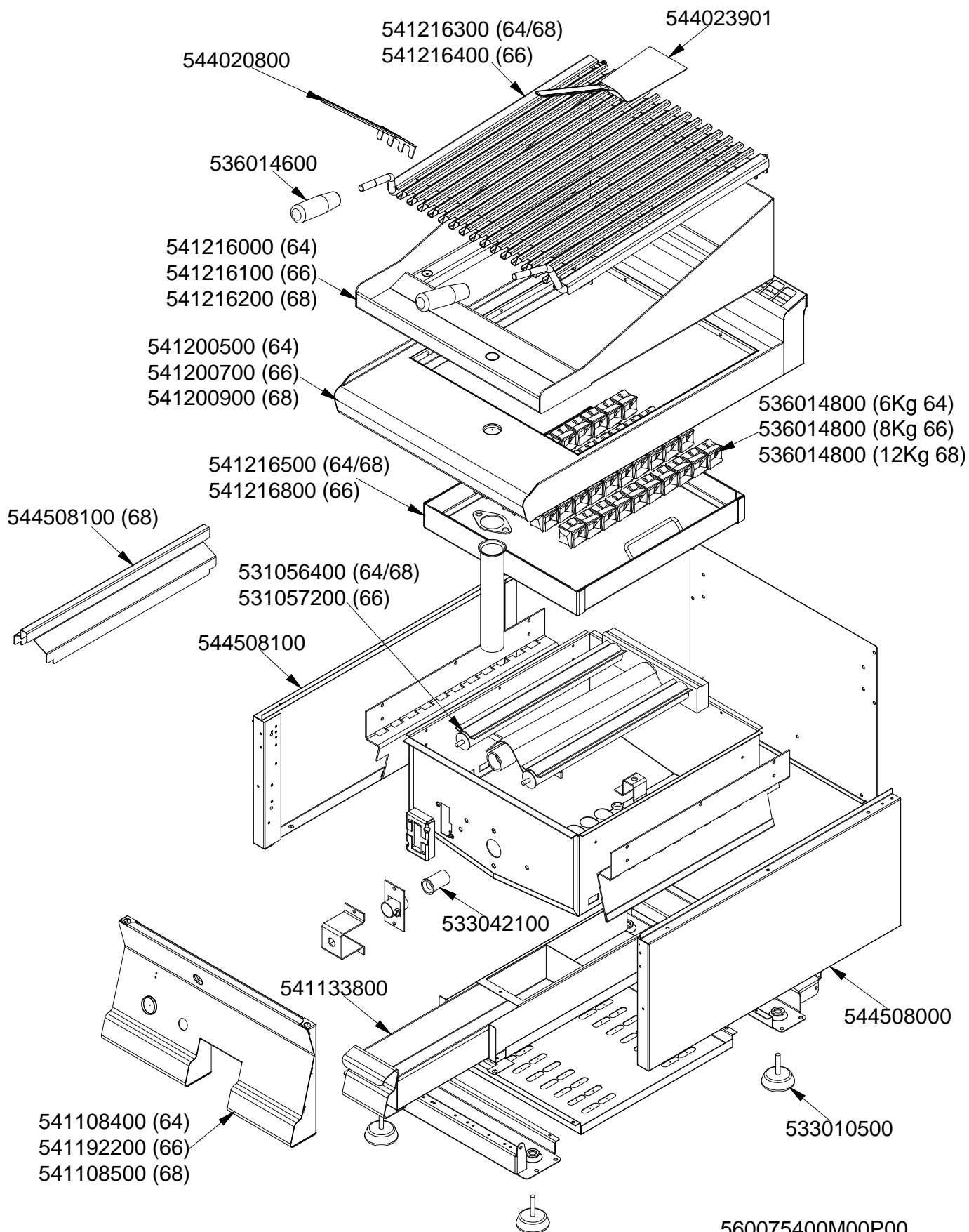
Objednačí kód	Popis v ENG
536042300	SILVER CHROM. RING FOR KNOB Ø77 4 P
536042100	SEAL CASING FOR KNOB Ø77 4 P
533162700	PROCESSING CODE



CWT - 64 G, CWT - 66 G, CWT - 68 G

Platný od 1.5.2016

do 30.4.2019

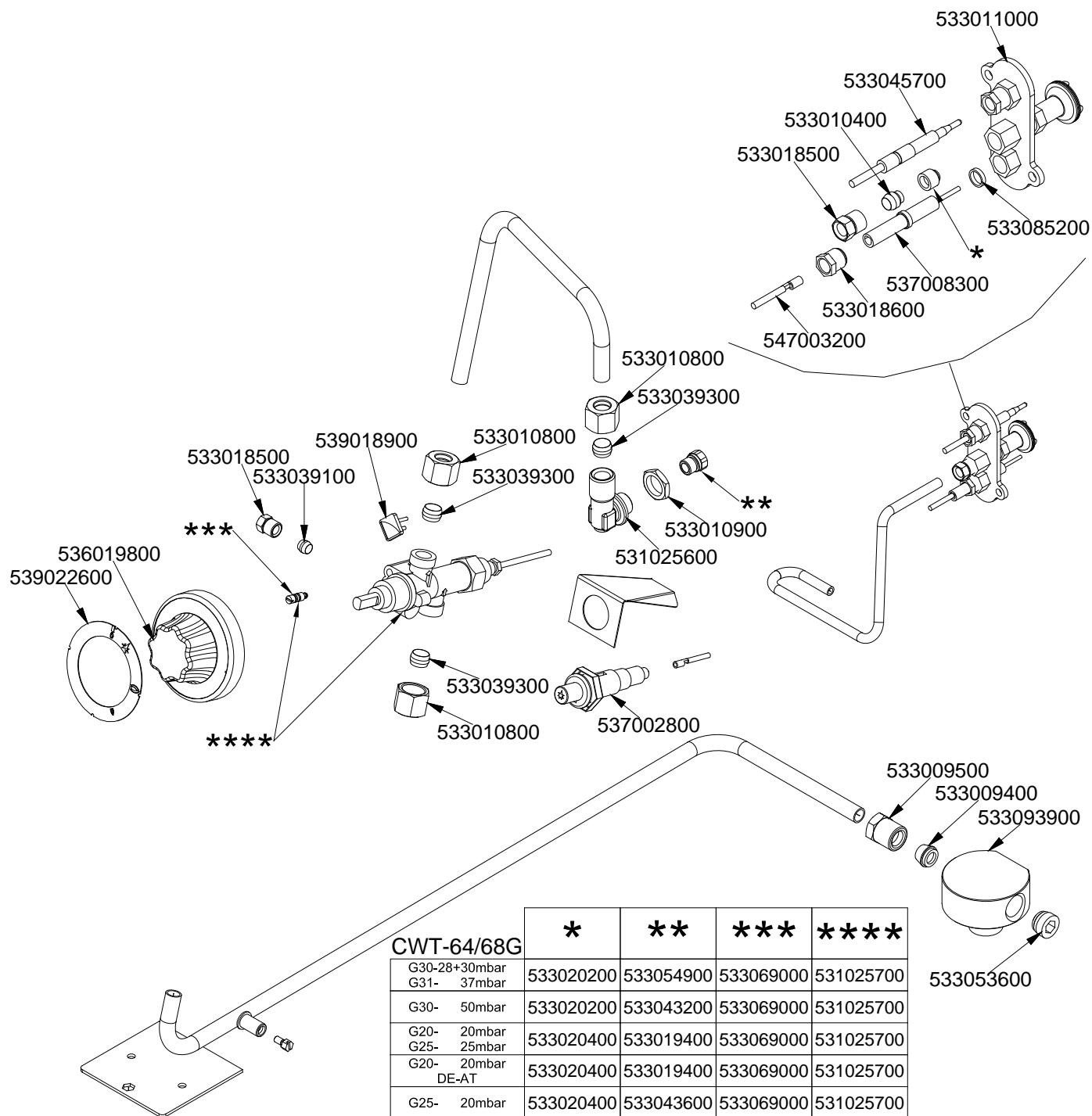




CWT - 64 G, CWT - 66 G, CWT - 68 G

Platný od 1.5.2016

do 30.4.2019



	*	**	***	****
CWT-64/68G				
G30-28+30mbar G31- 37mbar	533020200	533054900	533069000	531025700
G30- 50mbar	533020200	533043200	533069000	531025700
G20- 20mbar G25- 25mbar	533020400	533019400	533069000	531025700
G20- 20mbar DE-AT	533020400	533019400	533069000	531025700
G25- 20mbar	533020400	533043600	533069000	531025700
G25- 25mbar NL	533020400	533043100	533069000	531025700
CWT-66G				
G30-28+30mbar G31- 37mbar	533020200	533014900	533047900	531032100
G30- 50mbar	533020200	533120000	533047900	531032100
G20- 20mbar G25- 25mbar	533020400	533056100	533047900	531032100
G20- 20mbar DE-AT	533020400	533056100	533047900	531032100
G25- 20mbar	533020400	533056300	533047900	531032100
G25- 25mbar NL	533020400	533056200	533047900	531032100