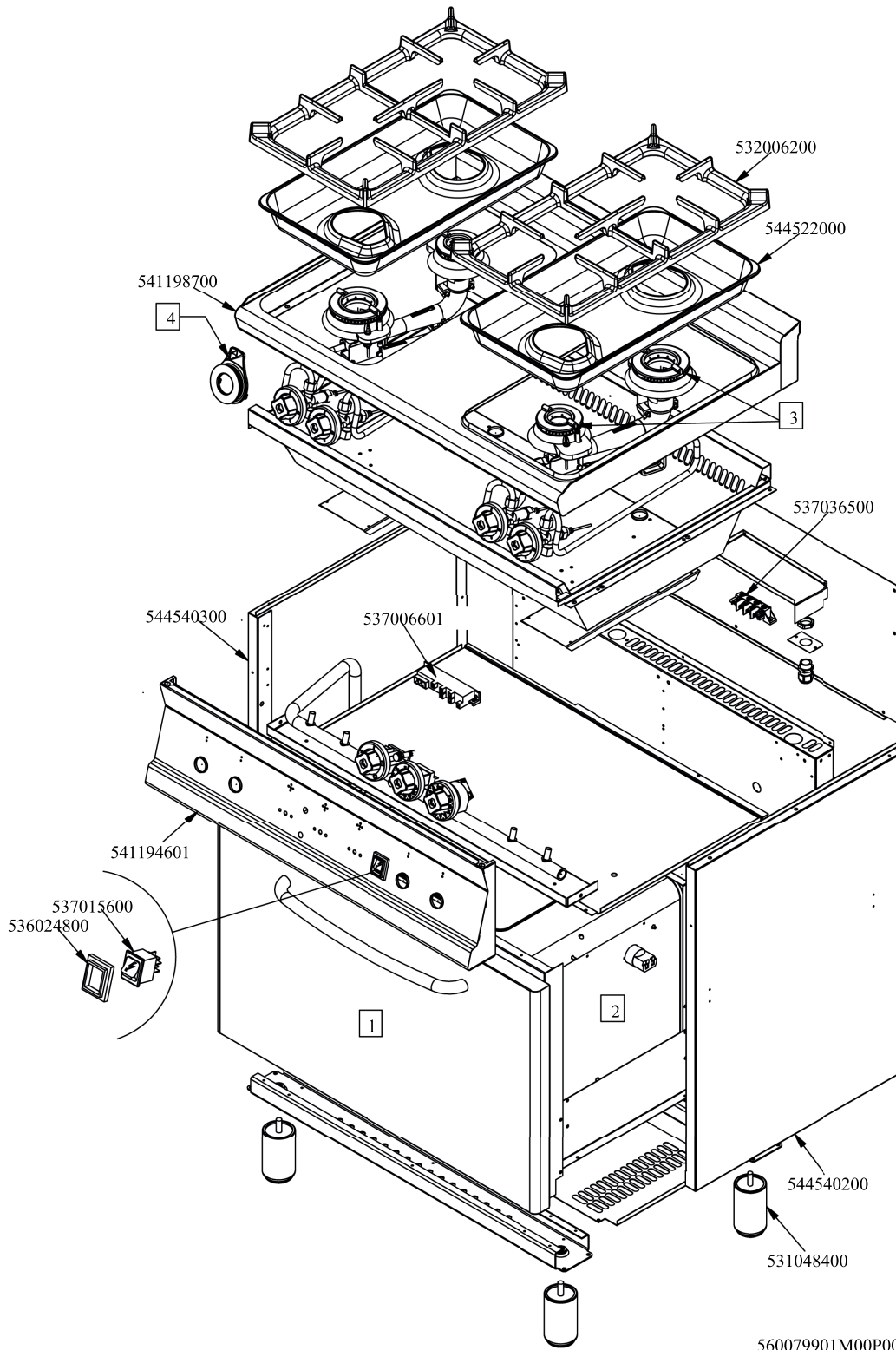


RM 600
 Platný od 1.5. 2019
 CF4-68GEM





Objednací kód	Popis v ENG
537036500	TERMINAL BLOCK 4POLES 40A SCREW-SCR
544540200	
541194601	
544540300	
531048400	INOX LEG Ø1"3/4 100-165 M10
541198700	UPPER PLATE 60T CF4-6 8GE
532006200	2 BURNERS GRID 289X504 60T RAF
544522000	BURNER DRIP PAN OF PCT-60
537015600	BIPOLAR SWITCH
536024800	HOOD WITH SWITCH FRAME
537006601	IGNITION UNIT 4 FLAMES V230
-	-
-	-
-	-
-	-



531059201<15071191
531059202>15071192

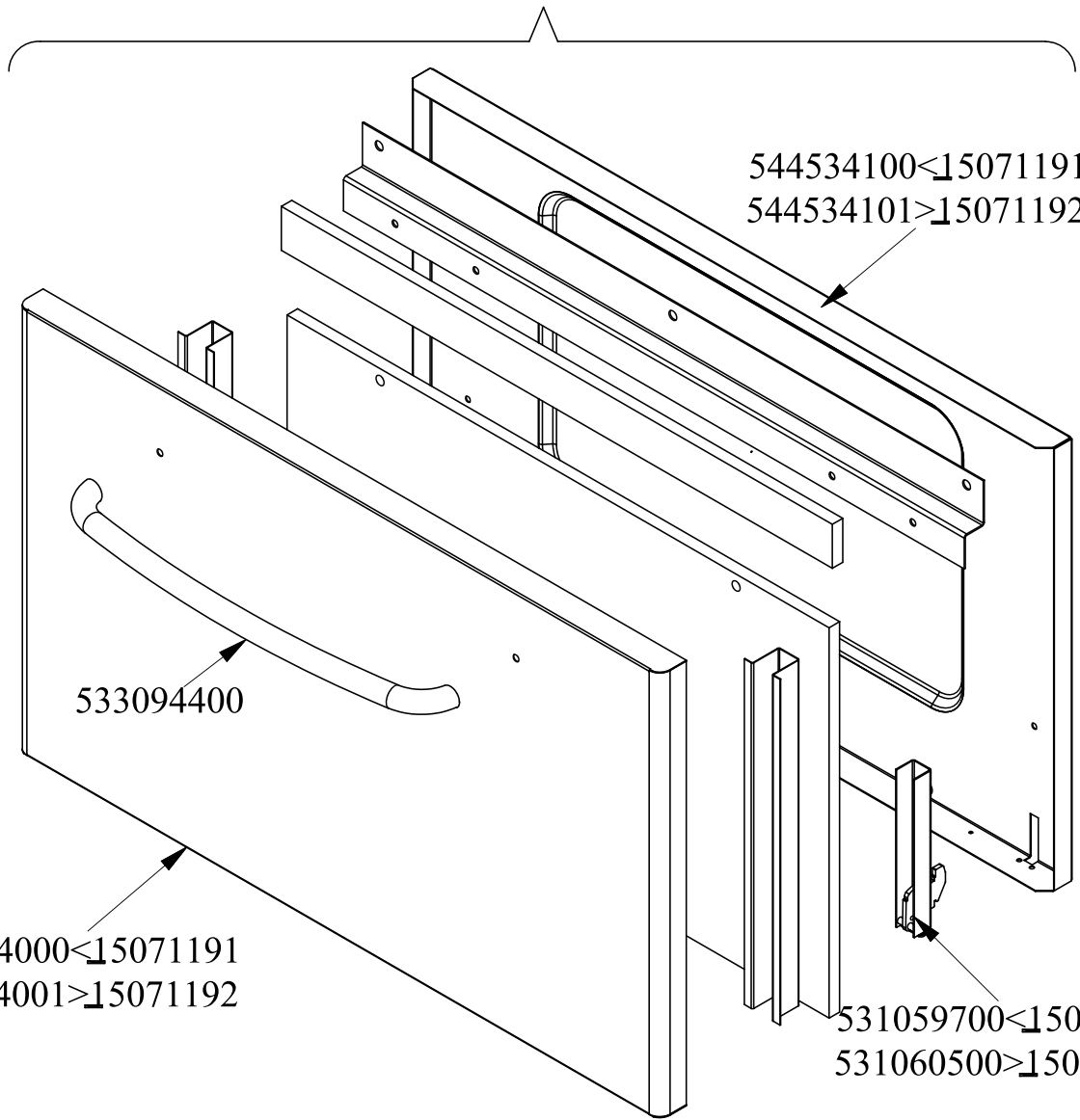
544534100<15071191
544534101>15071192

533094400

544534000<15071191
544534001>15071192

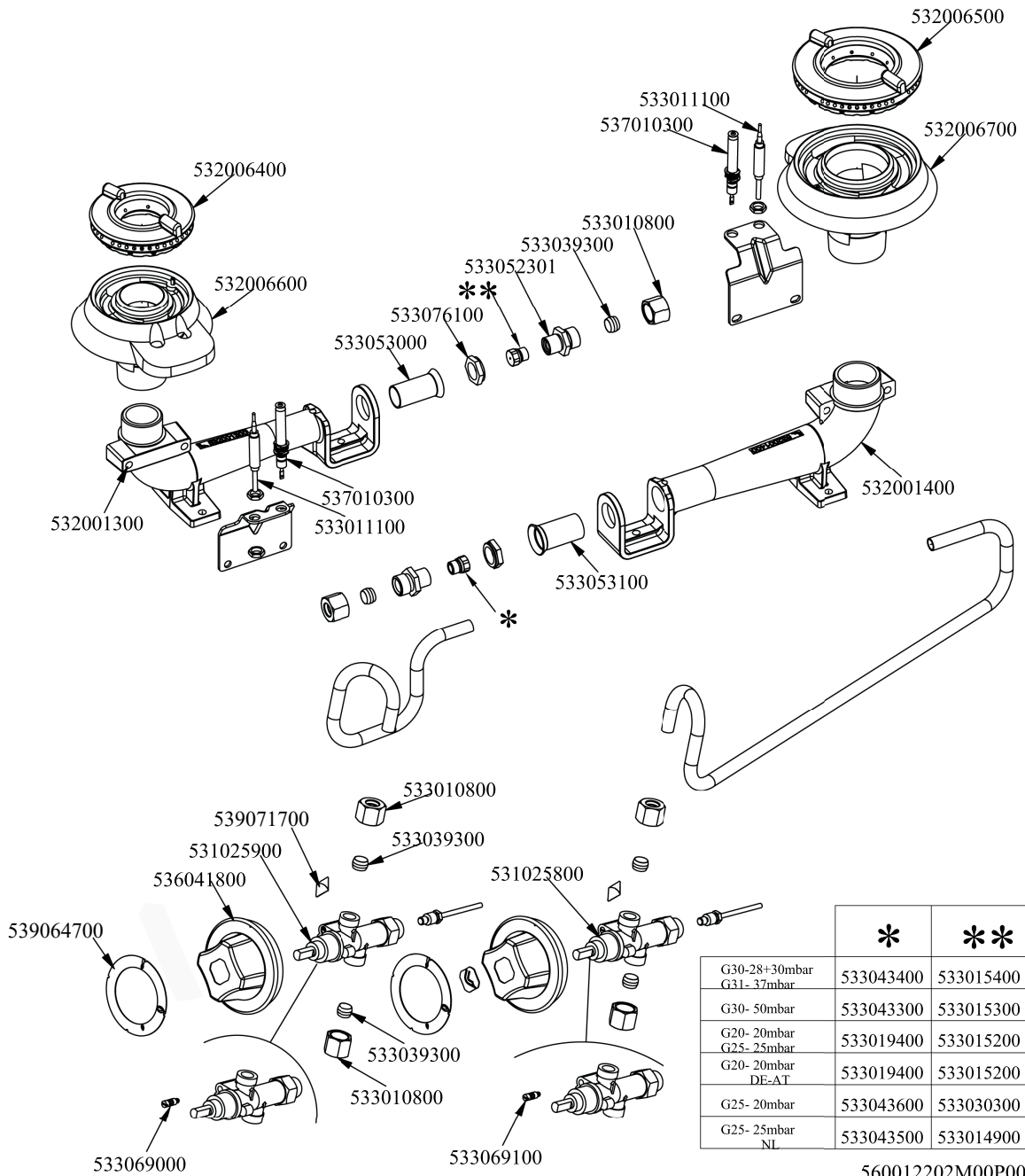
531059700<15071191
531060500>15071192

560081101M01P00





Objednací kód	Popis v ENG
533094400	S/S OVEN DOOR HANDLE FOR 60T-LINE
531059201	COMPLETE S/S DOOR FOR MAXI 600 OVEN
531059202	COMPLETE S/S DOOR FOR MAXI 600 OVEN
544534100	INNER DOOR OF MAXI OVEN OF 60T-LINE
544534101	
544534000	S/S DOOR FOR MAXI OVEN OF 60T LINE
544534001	
531059700	DOOR HINGE FOR MAXI OVEN 60.LINE
531060500	DOOR HINGE FOR OVEN 60.LINE

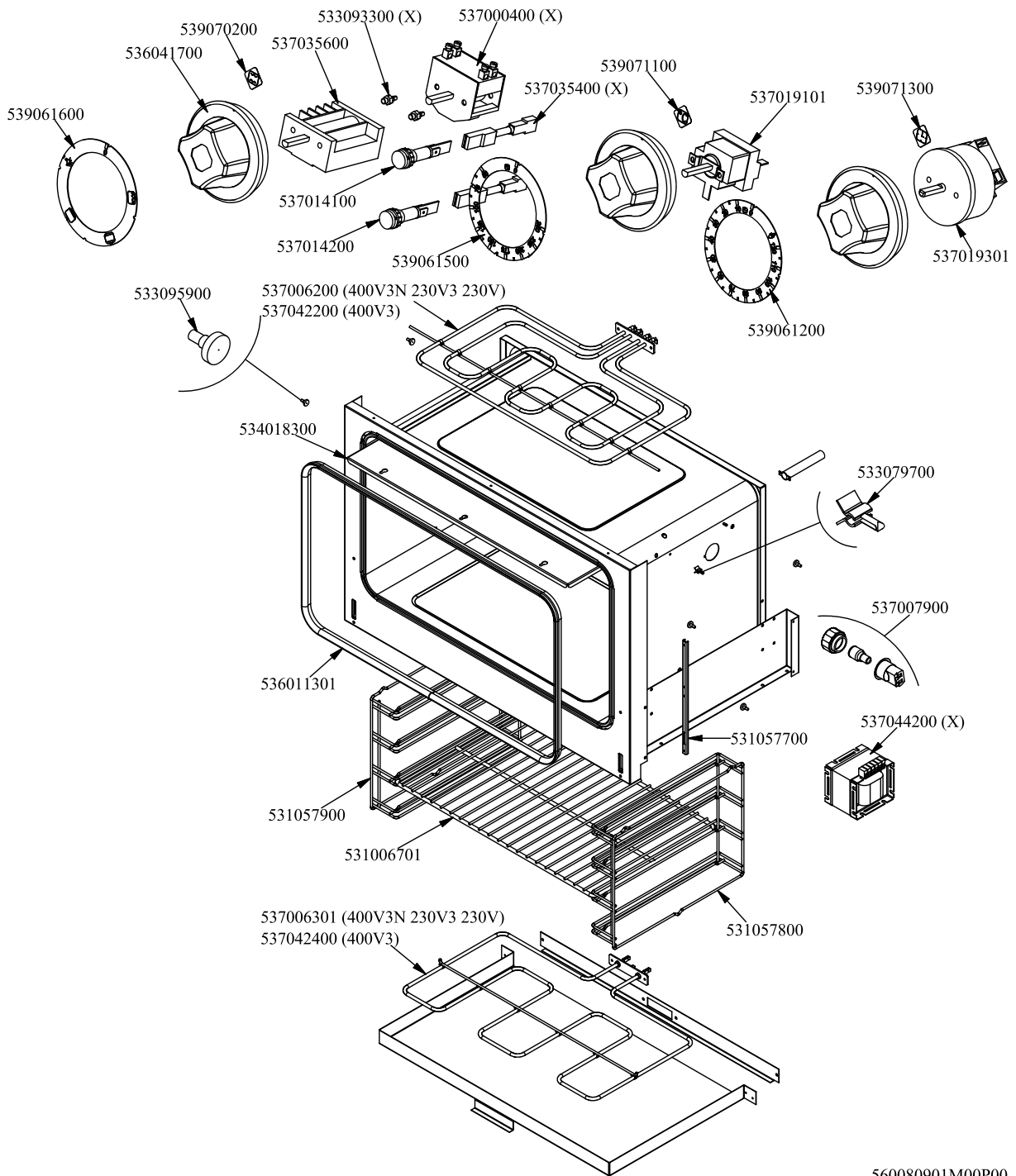


	*	**
G30-28+30mbar G31- 37mbar	533043400	533015400
G30- 50mbar	533043300	533015300
G20- 20mbar G25- 25mbar	533019400	533015200
G20- 20mbar DE-AT	533019400	533015200
G25- 20mbar	533043600	533030300
G25- 25mbar NL	533043500	533014900

560012202M00P00

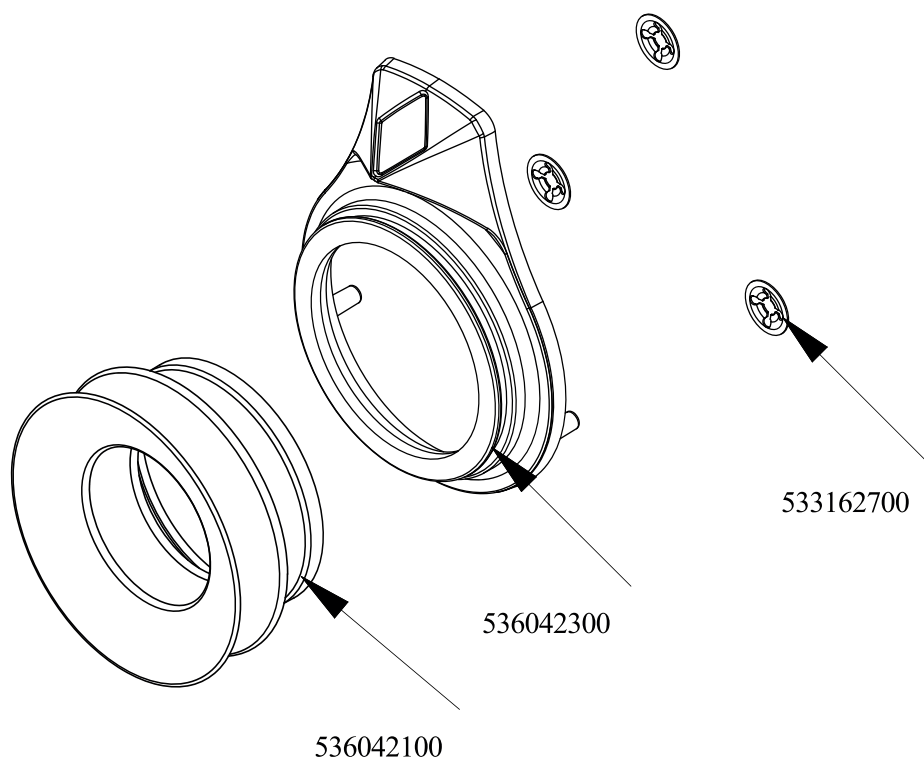


Objednací kód	Popis v ENG
533043400	NOZZLE §117 CH12*14 G-PC4 UR
533043300	NOZZLE §103 CH12*14 F-PC4 UR
533019400	NOZZLE §180 CH12*14 L-FQ5
533043600	NOZZLE §200 CH12*14 L-PC4 UR
533043500	NOZZLE §190 CH12*14 G25 PC4R
533015400	NOZZLE §93 CH12*14 G-PC4 R
533015300	NOZZLE §82 CH12*14 F-PC4 R
533015200	NOZZLE §145 CH12*14 F-FP/CP6
533030300	NOZZLE §160 CH12*14 M-FPG
533014900	NOZZLE §150 CH12*14 F-FQ5 L-FQ6
532006600	BURNER BODY 3,5 KW WITH PLUG
532006400	QUICKBURNER 2 RING Ø082 3 Z
533053000	AIR ADJUSTMENT BUSHING §18
533076100	HEXAGONAL NUT M14X1 H4 + BUSHING
533010800	TUBE NUT D.10 M16*1,5
533053100	AIR ADJUSTMENT BUSHING §20
532006500	QUICKBURNER 2 RING Ø102 3 Z
532006700	BURNER BODY 5,5 KW WITH PLUG
537010300	IGNITION PLUG WITH SPRING PC65
533011100	THERMOCOUPLE 750 M8*1
532001300	BURNER VENTURI 3,5 KW
532001400	BURNER VENTURI 5,5 KW
533052301	JOINT FOR NOZZLE HOLDER
533039300	BICONE §10
531025800	SAFETY TAP 20S-B PEL20S2160
531025900	SAFETY TAP 20S-B PEL20S21070
539071700	ADHES.LABEL FOR RING BLACK SIGN.
539064700	BLACK STICKING DISK 72
533069100	BY PASS COCK §60 20S
533069000	BY PASS COCK §70 20S-21S
536041800	SILVER CHROM. KNOB Ø77 4P.G.Ø08X6,5





Objednací kód	Popis v ENG
539070200	
537035600	OVEN COMMUTATOR * EL. 60+65LINES
537014100	WHITE WARNING LIGHT 250V
537014200	GREEN WARNING LIGHT 250V
539061500	ADESIVE DISK OVEN THERMOSTAT S60
539071100	
537019101	THERMOSTAT MONOPHAS.050-320°C F.MF
537019301	TIMER ELECT.120° 4 T.F. MF
539071300	
536011301	GASKET FOR MAXI 60T-OVEN L=1980
534018300	KNOB PROTECTION FOR MAXI CF 60T
531057900	LHD GRIDS HOLDER FOR MAXI-OVEN
531006701	MAXI OVEN GRID FOR S60/65
531057700	DOOR WHEEL HOLDER F.MAXI OVEN 60T
533079700	LOCK SPRING FOR BULB §3/§4
533095900	PIN FOR GRIDSHOLDER SUPPORT CF 60
531057800	RHD GRIDS HOLDER FOR MAXI-OVEN
537007900	OVEN BULB-SOCKET WITH LAMP
539061200	ADHESIV.DISK FOR TYMER EL. OVEN
536041700	SILVER CHROM. KNOB Ø77 4P.G.Ø06X4,6
539061600	ADESIVE DISK FOR SWITCH OVEN S60
539054200	STAMP Ø20,5 CR."L" LOTUS R.
537035400	HEATING ELEMENT 00003W 330KOHM W/F
537044200	TRANSFORMER 400V/440V-230V 100VA
537006200	UPPER OVEN HEATING EL.3000W 230V
537042200	UPPER OVEN HEATING EL.1000+2000W
537006301	COVERED HEATING ELEMENT MAXI OVEN
537042400	LOWER OVEN HEATING EL.W1600 440V
533093300	LOCKING PIN SWITCH S.43 THERMOST
537000400	COMMUTATOR 1POS.SINGLEPHASE S49 16A



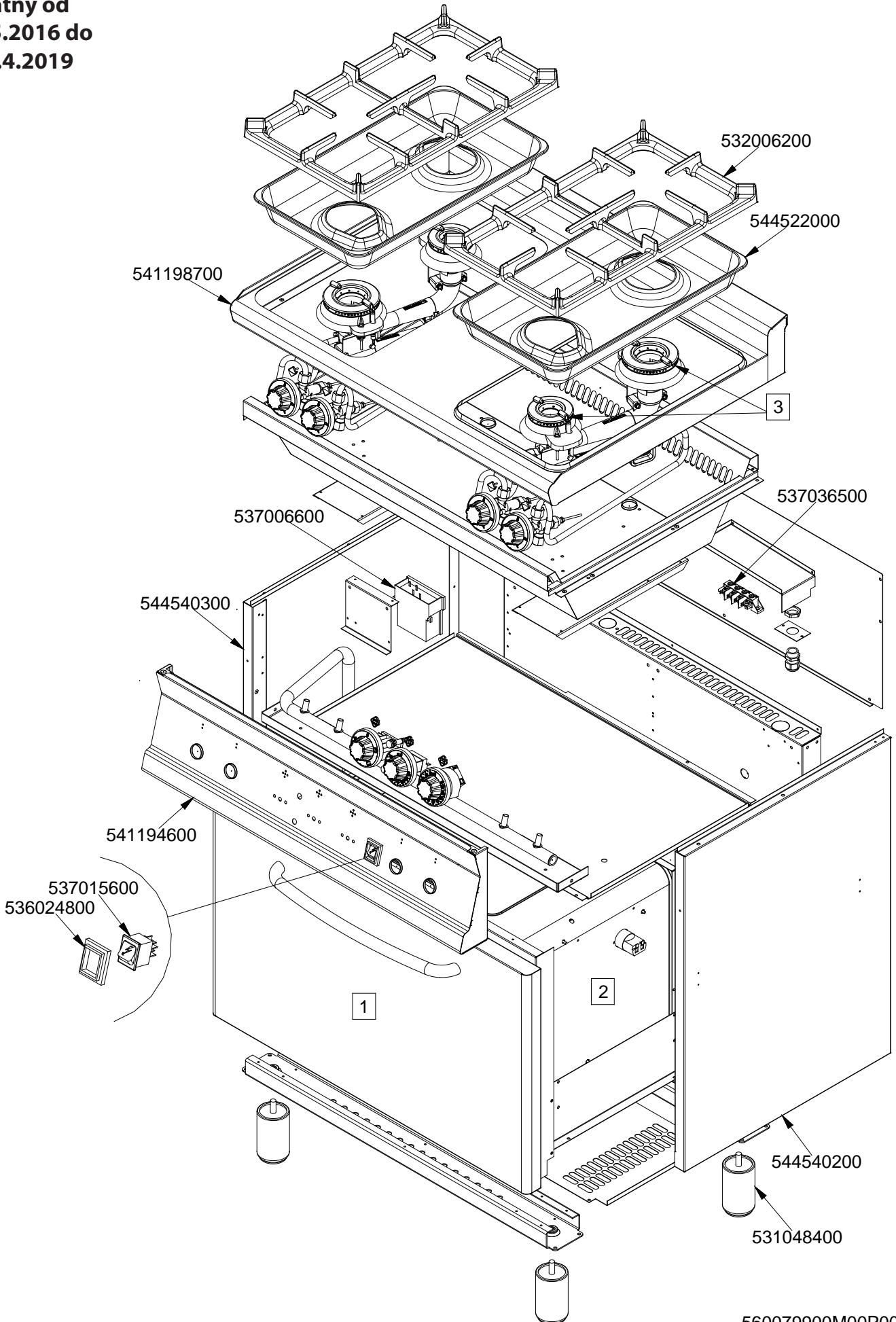
560125700M00P00



Objednačí kód	Popis v ENG
536042300	SILVER CHROM. RING FOR KNOB Ø77 4 P
536042100	SEAL CASING FOR KNOB Ø77 4 P
533162700	PROCESSING CODE



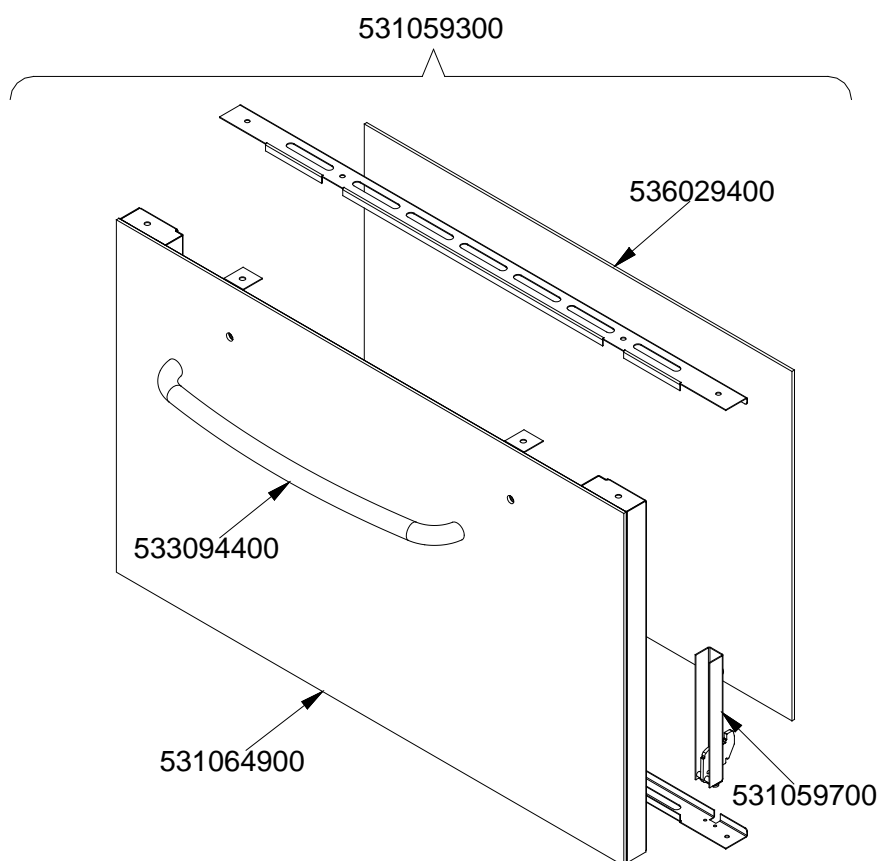
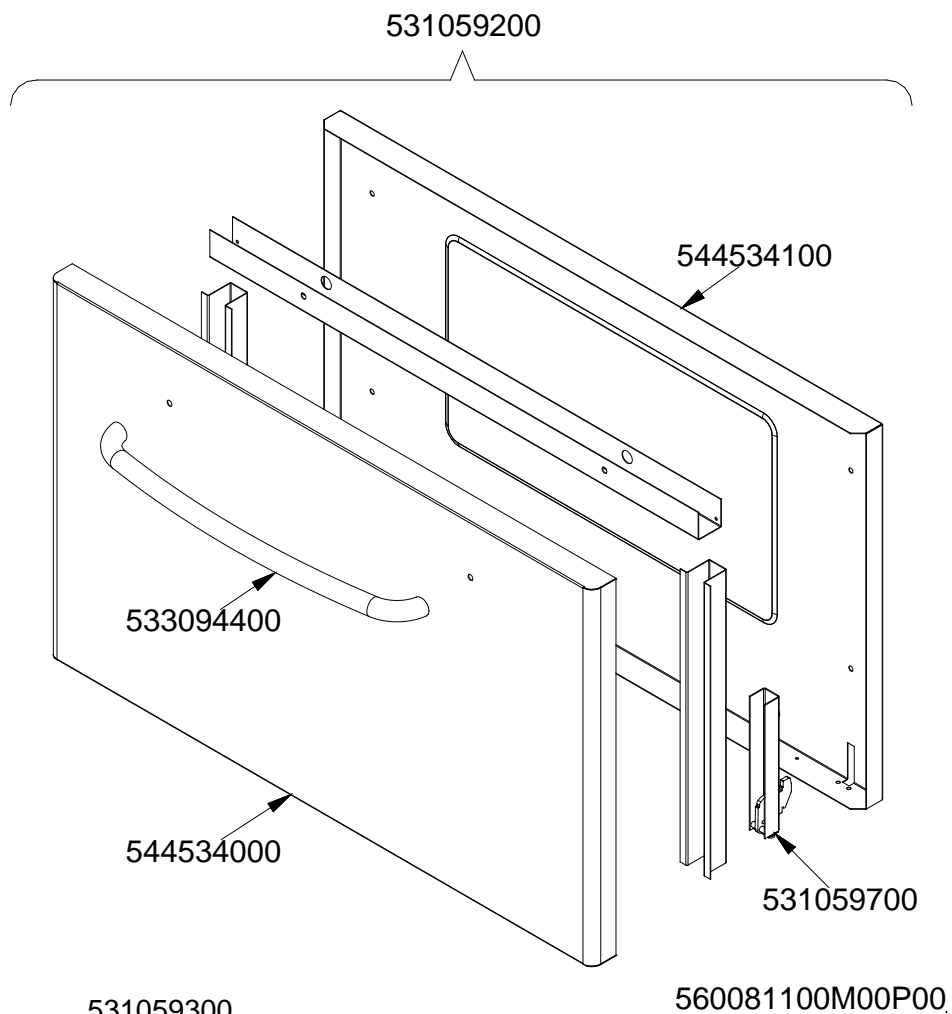
CF4 - 68 GEM
Platný od
1.5.2016 do
30.4.2019



CF4 - 68 GEM

(1)

Platný od
1.5.2016 do
30.4.2019





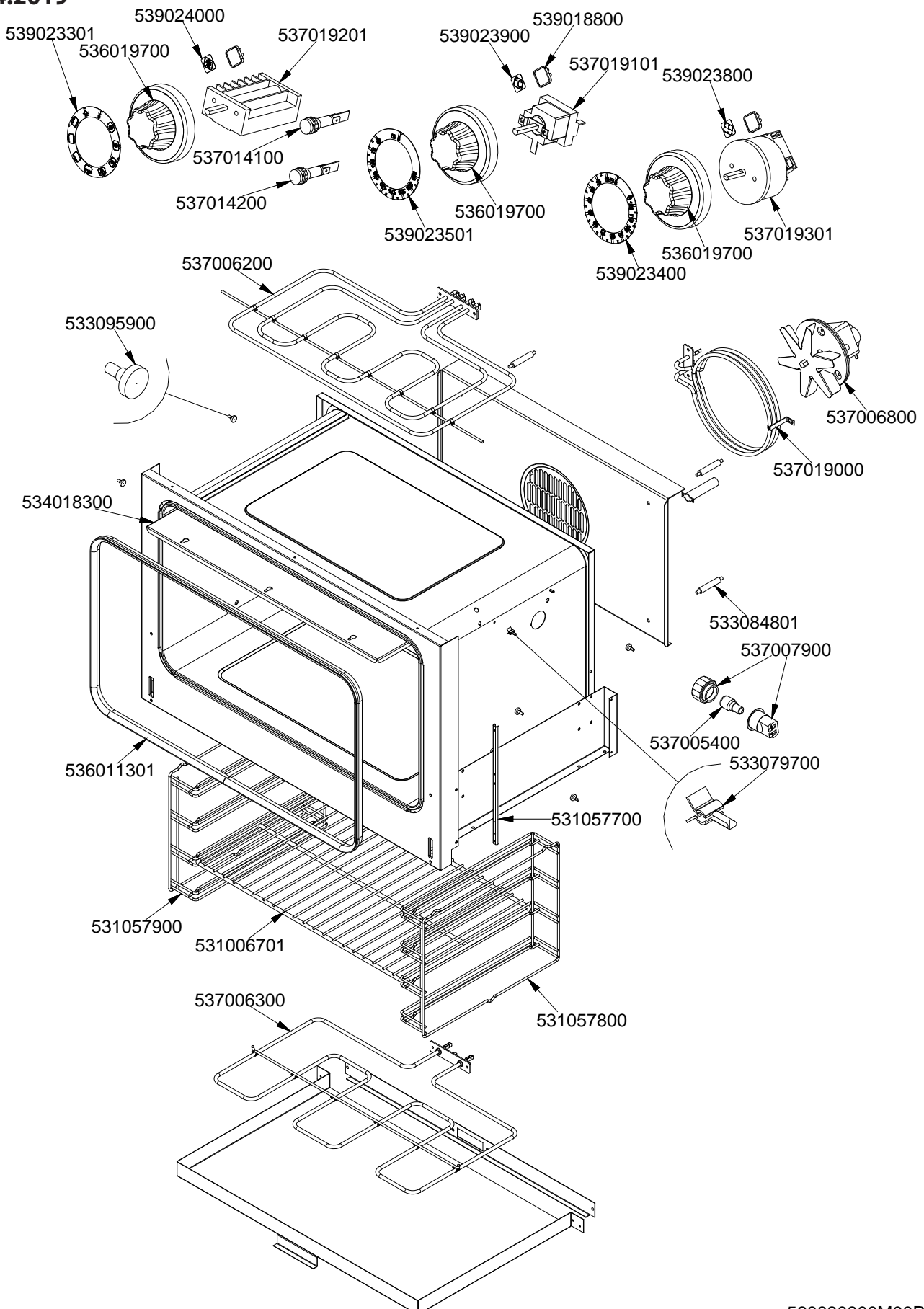
CF4 - 68 GEM

(2)

Platný od

1.5.2016 do

30.4.2019

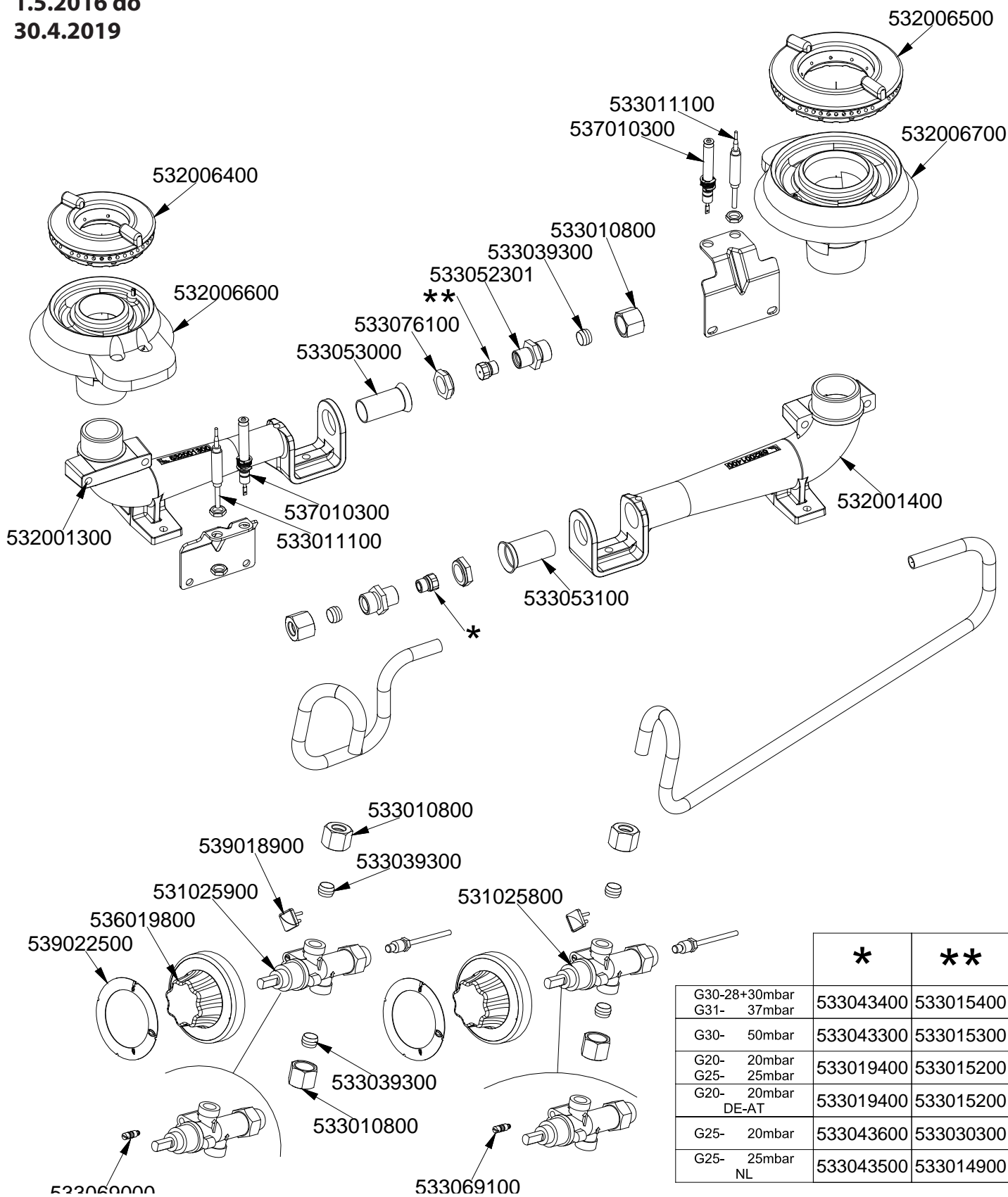




CF4 - 68 GEM

(3)

Platný od
1.5.2016 do
30.4.2019



	*	**
G30-28+30mbar G31- 37mbar	533043400	533015400
G30- 50mbar	533043300	533015300
G20- 20mbar G25- 25mbar	533019400	533015200
G20- 20mbar DE-AT	533019400	533015200
G25- 20mbar	533043600	533030300
G25- 25mbar NL	533043500	533014900