

# Technical data sheet

Product features



## Electric water grill indirect 38x52 on open cabinet 400 V

<b>Model</b>	<b>SAP Code</b>	00000403
--------------	-----------------	----------



- Top type: Grooved
- Grid size [mm x mm]: 380 x 520
- Removable rim: Yes
- Removable grid: Yes

<b>SAP Code</b>	00000403	<b>Power electric [kW]</b>	6.000
<b>Net Width [mm]</b>	400	<b>Loading</b>	400 V / 3N - 50 Hz
<b>Net Depth [mm]</b>	705	<b>Grid size [mm x mm]</b>	380 x 520
<b>Net Height [mm]</b>	900	<b>Top type</b>	Grooved
<b>Net Weight [kg]</b>	52.00		

# Technical data sheet

Technical drawing

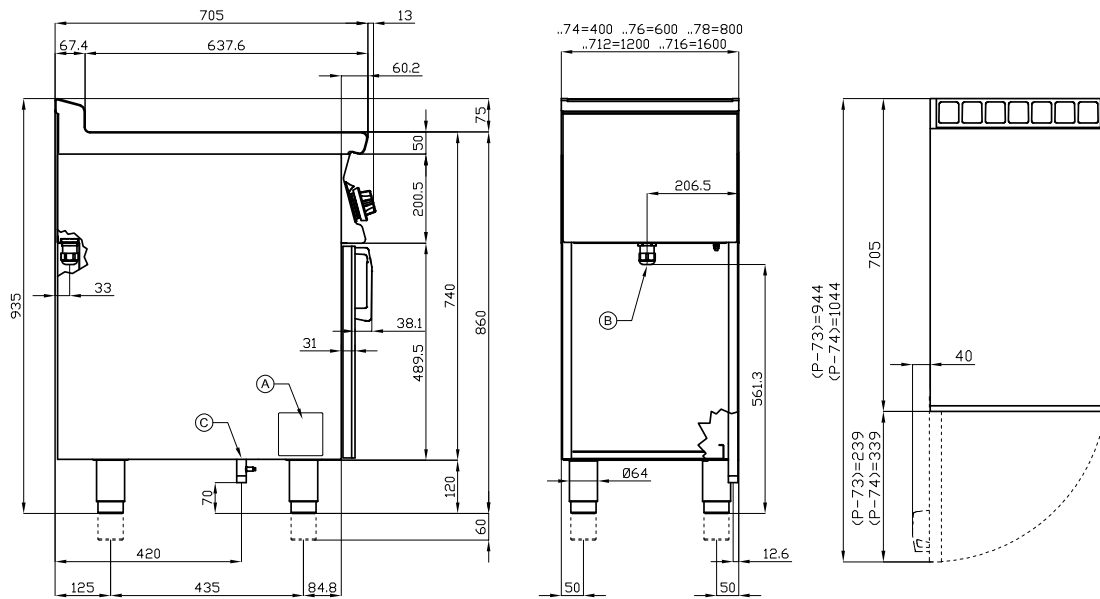


Electric water grill indirect 38x52 on open cabinet 400 V

Model

SAP Code

00000403



A	Data plate	B	Electrical connection
---	------------	---	-----------------------

# Technical data sheet

Technical parameters



## Electric water grill indirect 38x52 on open cabinet 400 V

**Model**

**SAP Code**

00000403

**1. SAP Code:**

00000403

**2. Net Width [mm]:**

400

**3. Net Depth [mm]:**

705

**4. Net Height [mm]:**

900

**5. Net Weight [kg]:**

52.00

**6. Gross Width [mm]:**

430

**7. Gross depth [mm]:**

770

**8. Gross Height [mm]:**

1220

**9. Gross Weight [kg]:**

154.00

**10. Device type:**

Electric unit

**11. Construction type of device:**

With substructure

**12. Power electric [kW]:**

6.000

**13. Loading:**

400 V / 3N - 50 Hz

**14. Protection of controls:**

IPX5

**15. Material:**

Stainless steel

**16. Indicators:**

operation and warm-up

**17. Standard equipment for device:**

comes with a stainless steel scraper for cleaning pastries

**18. Number of power control stages:**

7

**19. Grid material:**

Stainless steel

**20. Service accessibility:**

Trough the frontal panel

**21. Safety element:**

safety thermostat

**22. Safety thermostat:**

Yes

**23. Adjustable feet:**

Yes

**24. Additional information:**

door not included - can be purchased

**25. Removable device container:**

Yes

**26. Removable rim:**

Yes

**27. Removable grid:**

Yes

**28. Grid size [mm x mm]:**

380 x 520

# Technical data sheet

Technical parameters



Electric water grill indirect 38x52 on open cabinet 400 V

Model

SAP Code

00000403

## 29. Grid shape:

special shape allowing the oil to drip into the water bath, protects the heating element

## 31. Top type:

Grooved

## 30. Uniform heating:

Yes