

Technical data sheet



Product features

Model	SAP Code	00110059
FTH 70/08 G	A group of articles - web	Grills and grill plates



- Top type: Smooth
- Griddle dimensions [mm x mm]: 796 x 510
- Griddle thickness [mm]: 12.00
- Worktop material: Sandblasted steel
- Container for liquid fat: Yes
- Independent heating zones: Separate control for each heating zone
- Maximum device temperature [°C]: 300
- Surface finish: sandblasted surface without coating
- Removable rim: Yes
- Ignition: Piezo + večný plamen

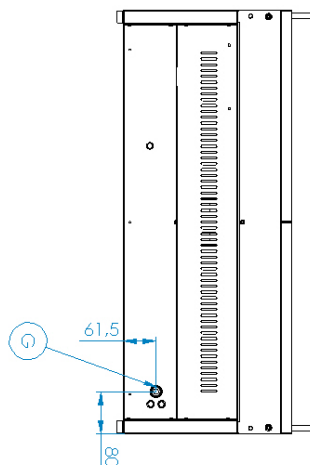
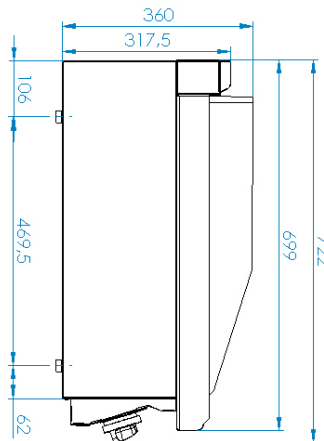
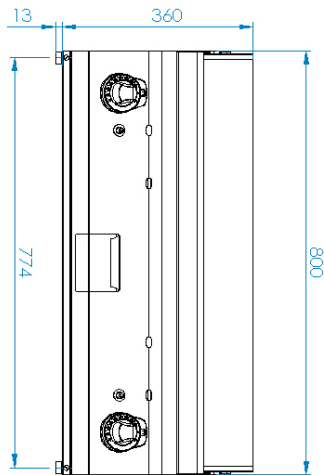
SAP Code	00110059	Power gas [kW]	14.000
Net Width [mm]	800	Type of gas	Natural gas, propane butane
Net Depth [mm]	700	Griddle dimensions [mm x mm]	796 x 510
Net Height [mm]	330	Top type	Smooth
Net Weight [kg]	69.00	Worktop type	Molded - comfortable cleaning maintenance

Technical data sheet



Technical drawing

Model	SAP Code	00110059
FTH 70/08 G	A group of articles - web	Grills and grill plates



Technical data sheet



Product benefits

Model	SAP Code	00110059
FTH 70/08 G	A group of articles - web	Grills and grill plates

- 1 Safety element – thermocouple**
safe service for staff
there is no unnecessary gas leakage
long life
 - savings on service interventions
 - easier and faster operation
- 2 All-stainless design**
long life
corrosion resistance of the top plate material
 - savings on service interventions
 - higher corrosion resistance
- 3 Degree of protection of the control elements IPX4**
maintenance-free system
resistance to splash water
long life
 - savings on service interventions
 - easy cleaning and maintenance of equipment
- 4 Outlet for waste liquids**
ensures that oil drips into the socket
 - easy maintenance
 - easy cleaning
- 5 High detachable hem**
better hygienic conditions
preventing grease from splashing onto ancillary equipment
 - easy maintenance
 - easy cleaning
- 6 Smooth steel plate**
good heat transfer
uniform heating
 - time-saving for food preparation
 - no reheating and long cooking times
- 7 Cooking unit for use on a table or on a base**
variable use
the possibility of placement in smaller spaces
 - easy handling
 - cost savings on substructure

Technical data sheet



Technical parameters

Model	SAP Code	00110059
FTH 70/08 G	A group of articles - web	Grills and grill plates

1. SAP Code:

00110059

2. Article group:

RF-Line 700

3. Net Width [mm]:

800

4. Net Depth [mm]:

700

5. Net Height [mm]:

330

6. Net Weight [kg]:

69.00

7. Gross Width [mm]:

840

8. Gross depth [mm]:

800

9. Gross Height [mm]:

390

10. Gross Weight [kg]:

81.00

11. Device type:

Gas unit

12. Construction type of device:

Table top

13. Power gas [kW]:

14.000

14. Ignition:

Piezo + večný plamen

15. Type of gas:

Natural gas, propane butane

16. Protection of controls:

IPX4

17. Material:

AISI 304 top plate, AISI 430 cladding

18. Worktop type:

Molded - comfortable cleaning maintenance

19. Worktop material:

Sandblasted steel

20. Worktop Thickness [mm]:

1.20

21. Surface finish:

sandblasted surface without coating

22. Maximum device temperature [°C]:

300

23. Minimum device temperature [°C]:

50

24. Service accessibility:

Trough the frontal panel

25. Safety thermocouple:

Yes

26. Safety thermostat:

Yes

27. Adjustable feet:

Yes

28. Griddle dimensions [mm x mm]:

796 x 510

29. Griddle thickness [mm]:

12.00

30. Container for liquid fat:

Yes

31. Independent heating zones:

Separate control for each heating zone

32. Removable rim:

Yes

Technical data sheet



Technical parameters

Model	SAP Code	00110059
FTH 70/08 G	A group of articles - web	Grills and grill plates

33. Top type:

Smooth