

Technical data sheet

Product features



Fry-top griddle plate grooved chromed on open cabinet

Model	SAP Code	00019424
--------------	-----------------	----------



- Top type: Grooved
- Griddle dimensions [mm x mm]: 560 x 370
- Griddle thickness [mm]: 12.00
- Worktop material: AISI 304
- Container for liquid fat: Yes
- Surface finish: polished chrome 0.03 mm
- Removable rim: Yes
- Ignition: Piezo + Eternal Flame

SAP Code	00019424	Power gas [kW]	7.000
Net Width [mm]	400	Type of gas	Natural gas, propane butane
Net Depth [mm]	730	Griddle dimensions [mm x mm]	560 x 370
Net Height [mm]	900	Top type	Grooved
Net Weight [kg]	52.00	Worktop type	Molded - comfortable cleaning maintenance

Technical data sheet

Technical drawing

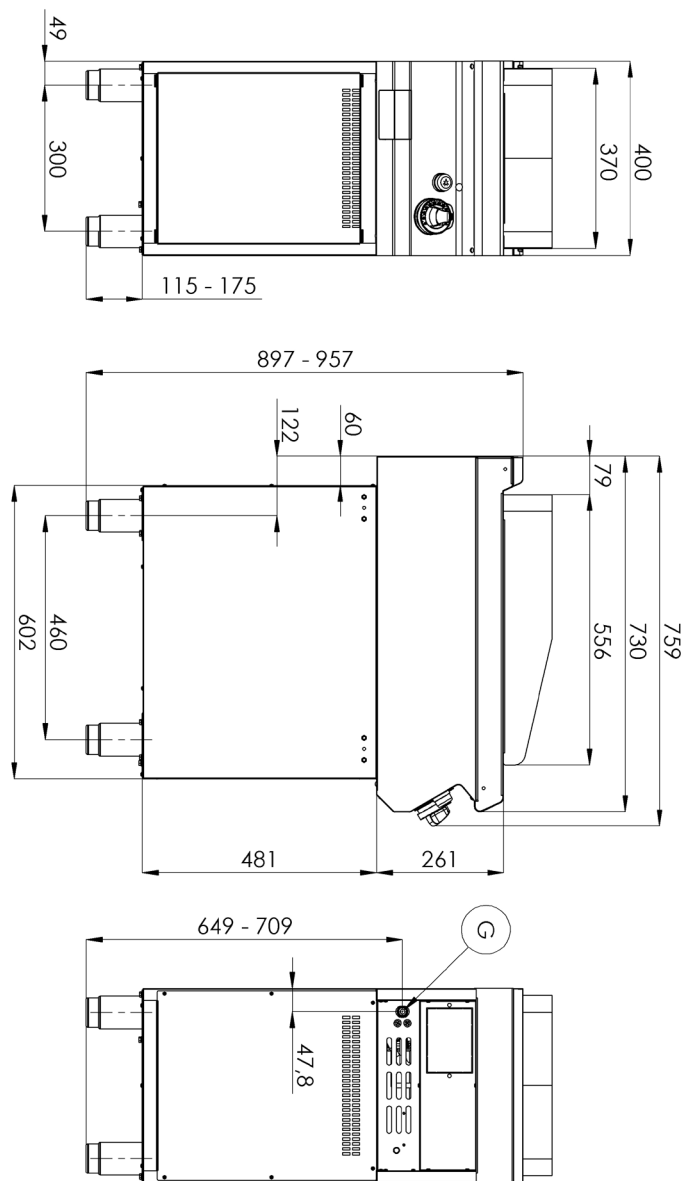


Fry-top griddle plate grooved chromed on open cabinet

Model

SAP Code

00019424



Technical data sheet

Technical parameters



Fry-top griddle plate grooved chromed on open cabinet

Model

SAP Code

00019424

1. SAP Code:

00019424

2. Net Width [mm]:

400

3. Net Depth [mm]:

730

4. Net Height [mm]:

900

5. Net Weight [kg]:

52.00

6. Gross Width [mm]:

440

7. Gross depth [mm]:

800

8. Gross Height [mm]:

1080

9. Gross Weight [kg]:

59.00

10. Device type:

Gas unit

11. Construction type of device:

With substructure

12. Power gas [kW]:

7.000

13. Ignition:

Piezo + Eternal Flame

14. Type of gas:

Natural gas, propane butane

15. Device color:

Stainless steel

16. Material:

AISI 304 top plate and cladding

17. Worktop type:

Molded - comfortable cleaning maintenance

18. Worktop material:

AISI 304

19. Worktop Thickness [mm]:

1.50

20. Surface finish:

polished chrome 0.03 mm

21. Service accessibility:

Trough the frontal panel

22. Safety thermocouple:

Yes

23. Griddle dimensions [mm x mm]:

560 x 370

24. Griddle thickness [mm]:

12.00

25. Container for liquid fat:

Yes

26. Removable device container:

No

27. Removable rim:

Yes

28. Top type:

Grooved