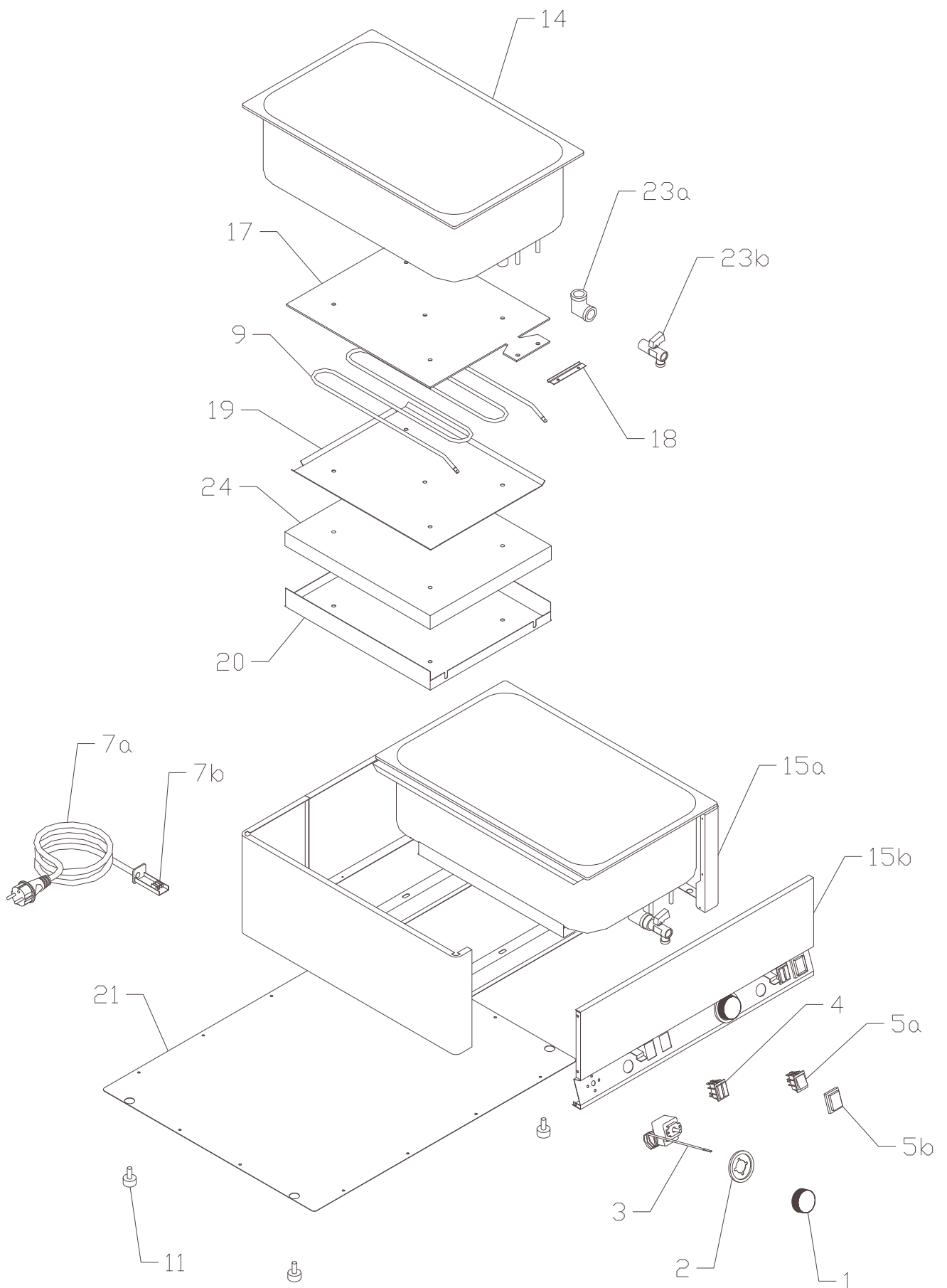


**BMV-1115, BMV-2115**  
**od 10-2012**





**BMV-1115, BMV-2115**  
**od 10-2012**

BMV-1115	
Pozice	Kód
1	402591000
2	402595000
3	402501100
4	401510000
5a	401500500
5b	401509000
6	-----
7a	402010500
7b	402085500
9	401023000
10	-----
11	407810500
12	-----
13	-----
14	500502501
15a	500501000
15b	450521000
16	-----
17	450500070
18	450503500
19	450500080
20	450503000
21	450502000
22	-----
23a	409011100
23b	409000200
24	407502100

BMV-2115	
Pozice	Kód
1	402591000
2	402595000
3	402501100
4	401510000
5a	401500500
5b	401509000
6	-----
7a	402010500
7b	402085500
9	401023000
10	-----
11	407810500
12	-----
13	-----
14	500502501
15a	500501500
15b	450530100
16	-----
17	450500070
18	450503500
19	450500080
20	450503000
21	450511000
22	-----
23a	409011100
23b	409000200
24	407502100

# Exploded view

TABLE A: LABELS

MODEL	CODE	NOTE
VT	402594273	
TO - 940	402594234	Switch
TO - 940	402594235	Timer
TO - 960	402594234	Switch
TO - 960	402594235	Timer
TO - 920	402594233	Switch
TO - 920	402594235	Timer
TO - 930	402594233	Switch
TO - 930	402594235	Timer
VEC	402594241	
PM - LTF	402594244	
KD	402594243	
FP - 36	402594237	
FP - 66		
FP - 37		
FP - 67		
FT	402594247	
PD		
PM		
PS		
FP - 38		
FP - 68		
FE	402594272	
BM	402594236	
BMV		
HD		
WE		
WEV		
OTS		
UH		
BM-D	402594271	
SE		
CW		
GV		

