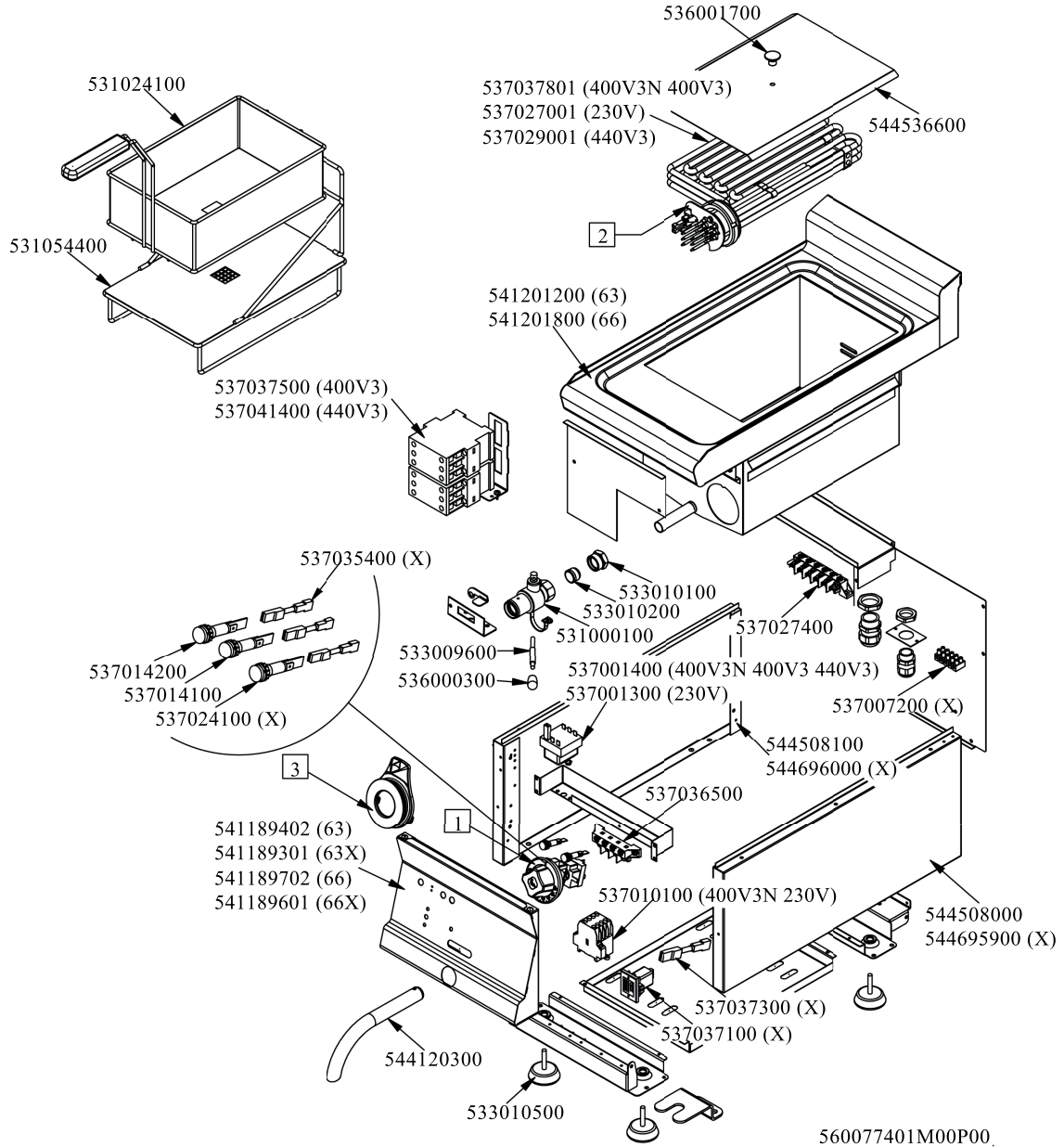




RM 600

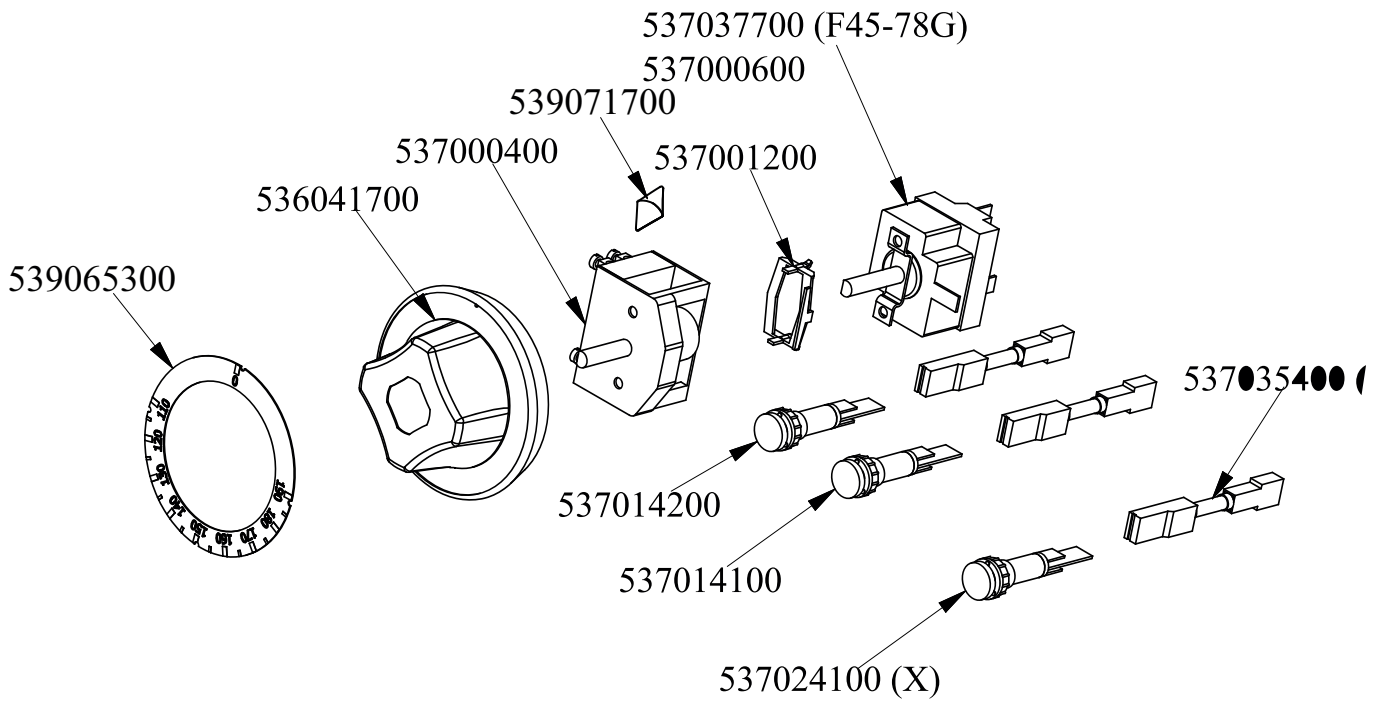
Platný od 1.5. 2019

F2/10T-66EM





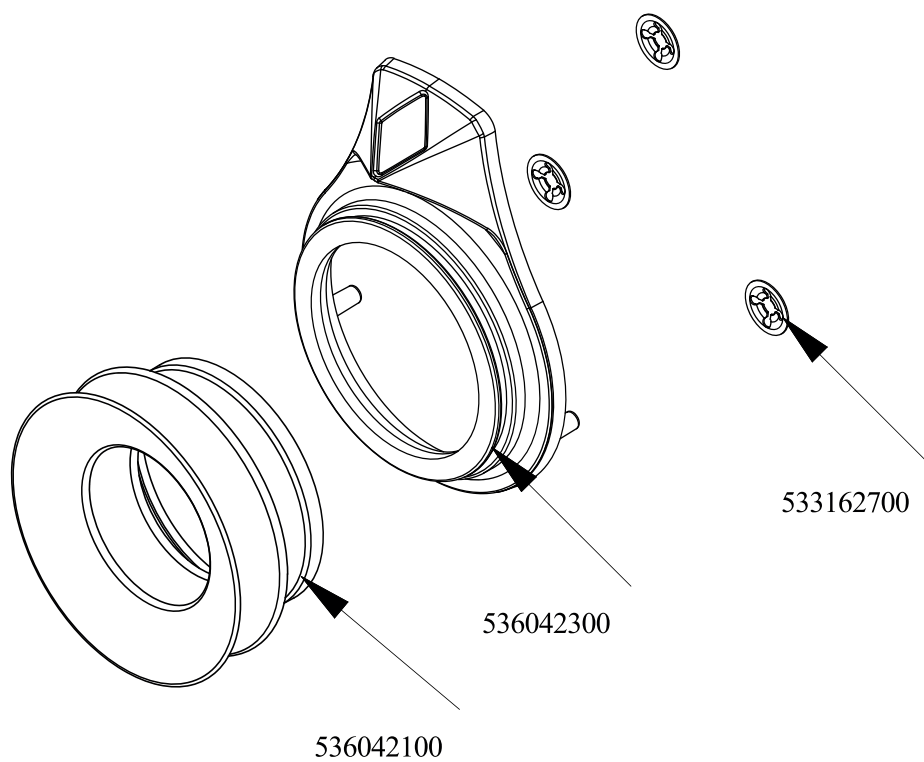
Objednací kód	Popis v ENG
531054400	TANK COVER FOR F10T-E
531024100	FRYER BASKET 200X300X100
536001700	GRIP D.25*19*M6
544536600	TANK LID OF F10T-E
541189702	
544508100	LHD SIDE OF 60T APPLIANCES
531000100	DRAIN COCK 3/4"
533010200	BICONE 18S
533010100	3/4 D. 18 PIPE UNION
537001300	SAFETY THERMOST.235°C SINGLEPH+NUT
537036500	TERMINAL BLOCK 4POLES 40A SCREW-SCR
544120300	DRAIN PIPE 22 FOR COCK 3/4"G
544508000	RHD SIDE OF 60T APPLIANCES
533010500	LEG M10*25 D.40
536000300	FIXED GRIP D.15*25*M6
533009600	DRAIN COCK HANDLE
541201800	UPPER PLATE FOR F2/10 T-66E
537027400	TERMINAL BLOCK THREEPHASE 40A
537014200	GREEN WARNING LIGHT 250V
537014100	WHITE WARNING LIGHT 250V
537027001	HEATING ELEMENT 4000W 1-230V
-	-
-	-
-	-



560100201M00P00



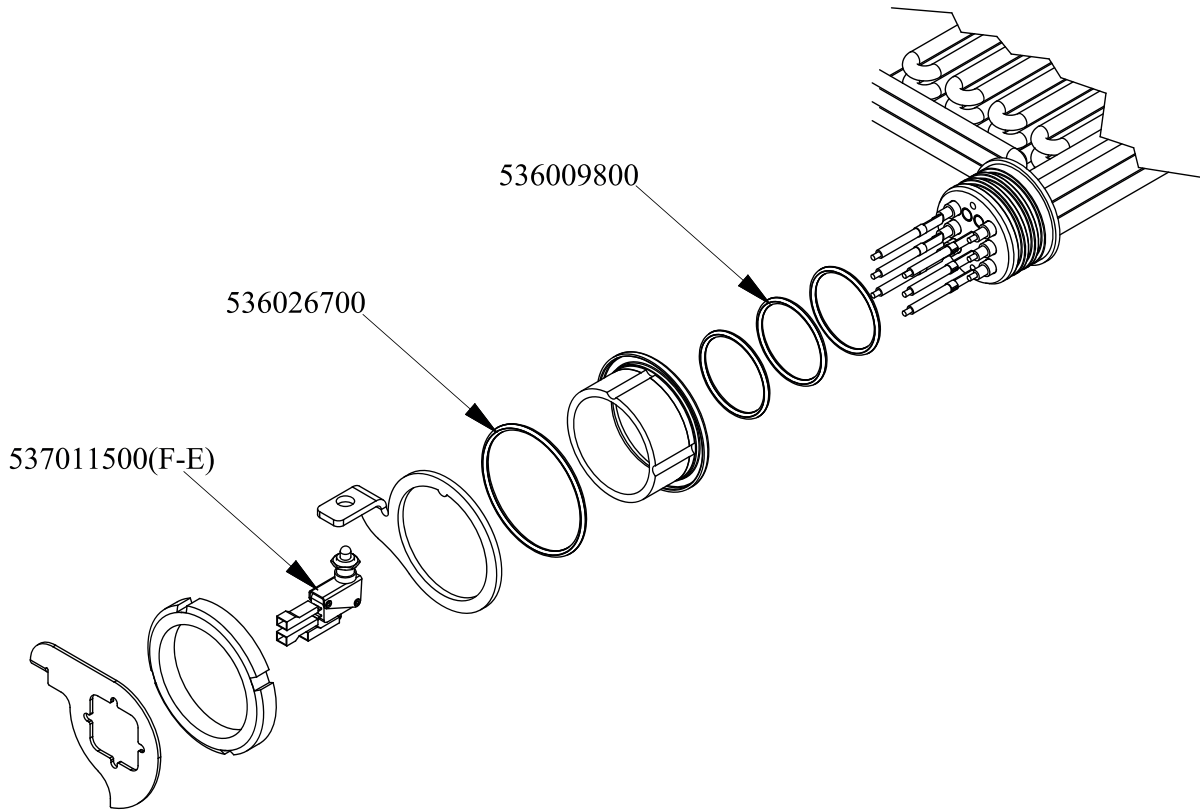
Objednací kód	Popis v ENG
539065300	BLACK STICKING DISK 72 (110,190°)
536041700	SILVER CHROM. KNOB Ø77 4P.G.Ø06X4,6
537000400	COMMUTATOR 1POS.SINGLEPHASE S49 16A
539071700	ADHES.LABEL FOR RING GREEN SIGN.
537001200	FIXING BRACKET FOR THERMOSTAT/COMM.
537037700	THERMOSTAT MONOPHASE 104-192°C
537000600	THERMOSTAT 90-180°C SINGLEPHASE
537014200	GREEN WARNING LIGHT 250V
537014100	WHITE WARNING LIGHT 250V
537024100	RED WARNING LIGHT LOW BUD 110V
537035400	HEATING ELEMENT 00003W 330KOHM W/F



560125700M00P00



Objednačí kód	Popis v ENG
536042300	SILVER CHROM. RING FOR KNOB Ø77 4 P
536042100	SEAL CASING FOR KNOB Ø77 4 P
533162700	PROCESSING CODE



560111000M00P00



Objednací kód	Popis v ENG
536009800	GASKET O-RING 47,22X3,53 VITON
536026700	GASKET O-RING 74,61X3,53 VITON
537011500	MICRO-SWITCH 10A 400V



F10T - 63 ET, F10T - 63 EM, F2/10T - 66 ET, F2/10T - 66 EM

Platný od 1.5.2016

do 30.4.2019

