

# Technical data sheet

## Product features



### Pasta cooker electric 17 l without cabinet 400 V

<b>Model</b>	<b>SAP Code</b>	00000368
--------------	-----------------	----------



- Basin volume [l]: 13
- Drain type: On the front panel
- Drain: Yes
- Safety drain: Yes
- Material: AISI 304 top plate and cladding
- Protection of controls: IPX5
- Maximum device temperature [°C]: 110

<b>SAP Code</b>	00000368	<b>Loading</b>	400 V / 3N - 50 Hz
<b>Net Width [mm]</b>	400	<b>Basin volume [l]</b>	13
<b>Net Depth [mm]</b>	600	<b>Width of internal part [mm]</b>	310
<b>Net Height [mm]</b>	280	<b>Depth of internal part [mm]</b>	335
<b>Net Weight [kg]</b>	27.00	<b>Height of internal part [mm]</b>	220
<b>Power electric [kW]</b>	5.000		

# Technical data sheet

Technical drawing

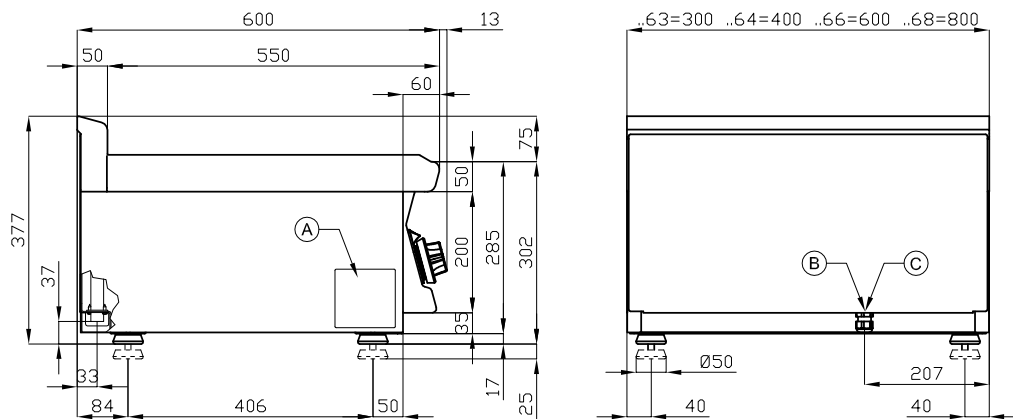


Pasta cooker electric 17 l without cabinet 400 V

Model

SAP Code

00000368



A	Data plate		B	Electrical connection	
---	------------	--	---	-----------------------	--

# Technical data sheet

## Product benefits



### Pasta cooker electric 17 l without cabinet 400 V

Model

SAP Code

00000368

1

#### All-stainless steel bathtub

long life  
resistance of AISI 304 stainless steel material  
the material does not cut

- savings on service interventions
- easier and faster operation

2

#### Degree of protection of the control elements IPX5

maintenance-free system  
resistance to splash water  
long life

- savings on service interventions
- easy cleaning and maintenance of equipment

3

#### Drain valve "A" in the front part of the device with a safety lock against self-draining

outlet of the bath into the prepared container

- easy and safe handling

4

#### Micro switch

microswitch preventing the device from running when there is no water in the bath

- prevents destruction of the equipment by overheating

5

#### Rotating heating element

microswitch preventing the device from running when there is no water in the bath

- effective cleaning when the body is tipped out
- easy access even to corners and time saving

# Technical data sheet

Technical parameters



## Pasta cooker electric 17 l without cabinet 400 V

Model

SAP Code

00000368

**1. SAP Code:**

00000368

**2. Net Width [mm]:**

400

**3. Net Depth [mm]:**

600

**4. Net Height [mm]:**

280

**5. Net Weight [kg]:**

27.00

**6. Gross Width [mm]:**

430

**7. Gross depth [mm]:**

690

**8. Gross Height [mm]:**

610

**9. Gross Weight [kg]:**

31.00

**10. Device type:**

Electric unit

**11. Construction type of device:**

Table top

**12. Power electric [kW]:**

5.000

**13. Loading:**

400 V / 3N - 50 Hz

**14. Protection of controls:**

IPX5

**15. Device color:**

Stainless steel

**16. Material:**

AISI 304 top plate and cladding

**17. Indicators:**

operation and warm-up

**18. Worktop Thickness [mm]:**

1.00

**19. Basin volume [l]:**

13

**20. Basin dimensions [mm x mm x mm]:**

GN 2/3-220

**21. Device capacity [l]:**

17.00

**22. Maximum device temperature [°C]:**

110

**23. Minimum device temperature [°C]:**

30

**24. Number of power control stages:**

4

**25. Service accessibility:**

Trough the frontal panel

**26. Safety thermostat:**

Yes

**27. Adjustable feet:**

Yes

**28. Additional information:**

baskets are not included - can be purchased

# Technical data sheet

Technical parameters



## Pasta cooker electric 17 l without cabinet 400 V

Model

SAP Code

00000368

### 29. Basin material:

AISI 316 - Stainless steel highly resistant to salt water

### 30. Heating element construction:

highly resistant heating elements  
rotary heating element

### 31. Drain type:

On the front panel

### 32. Drain:

Yes

### 33. Safety drain:

Yes

### 34. Heating location:

Inside the tank

### 35. Width of internal part [mm]:

310

### 36. Depth of internal part [mm]:

335

### 37. Height of internal part [mm]:

220

### 38. Image for addition:

C43BF4C8-136D-4C73-BA8A-690C85C5B568