

# Technical data sheet

## Product features



### Fry-top griddle plate 76x68 gas chromed grooved on open cabinet

<b>Model</b>	<b>SAP Code</b>	00005923
--------------	-----------------	----------



- Top type: Grooved
- Griddle dimensions [mm x mm]: 760 x 680
- Griddle thickness [mm]: 15.00
- Worktop material: Super chrom
- Container for liquid fat: Yes
- Removable rim: Yes
- Ignition: Piezo+večný plamen

<b>SAP Code</b>	00005923	<b>Power gas [kW]</b>	18.000
<b>Net Width [mm]</b>	800	<b>Type of gas</b>	Natural gas, propane butane
<b>Net Depth [mm]</b>	900	<b>Griddle dimensions [mm x mm]</b>	760 x 680
<b>Net Height [mm]</b>	900	<b>Top type</b>	Grooved
<b>Net Weight [kg]</b>	124.00	<b>Worktop type</b>	Molded - comfortable cleaning maintenance

# Technical data sheet

Technical drawing

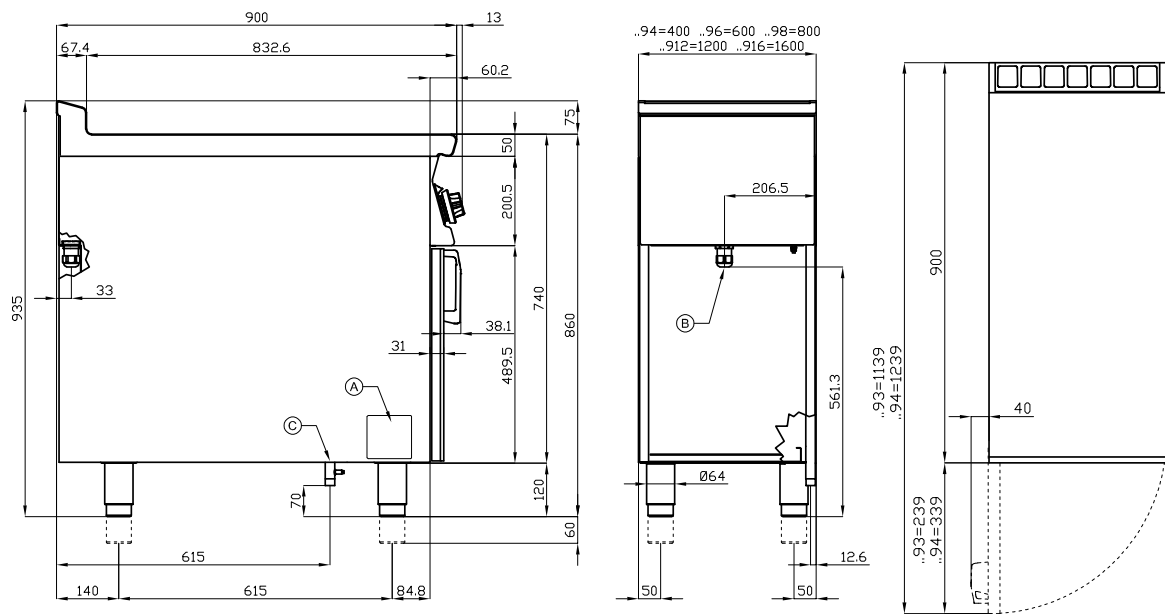


## Fry-top griddle plate 76x68 gas chromed grooved on open cabinet

Model

SAP Code

00005923



A	Data plate		C	Gas connection	ISO 7-1 1/2" M
---	------------	--	---	----------------	----------------

# Technical data sheet

## Product benefits



### Fry-top griddle plate 76x68 gas chromed grooved on open cabinet

Model

SAP Code

00005923

1

#### Safety element – thermocouple

safe service for staff  
there is no unnecessary gas leakage  
long life

- savings on service interventions
- easier and faster operation

2

#### All-stainless design

long life  
resistance of AISI 304 stainless steel material  
the material does not cut

- savings on service interventions
- easy cleaning and maintenance of equipment

3

#### Degree of protection of the control elements IPX5

maintenance-free system  
resistance to splash water  
long life

- savings on service interventions
- easy cleaning and maintenance of equipment

4

#### Outlet for waste liquids

ensures that oil drips into the socket

- easy maintenance
- easy cleaning

5

#### High detachable hem

better hygienic conditions  
preventing grease from splashing onto  
ancillary equipment

- easy maintenance
- easy cleaning

6

#### Grooved plate made of chrome-plated steel

the product bakes less and is easier to clean  
a good warming of the meat with a groove

- time-saving in food preparation
- easy preparation of good-looking food

7

#### Surface treatment “Superchrom”

a thicker layer of protective chrome applied with  
new technology

- the top is more scratch resistant
- more convenient and faster handling of food  
on the plate
- the possibility of preparing more delicate  
types of food
- the plate does not get dirty, does not swell

# Technical data sheet

Technical parameters



## Fry-top griddle plate 76x68 gas chromed grooved on open cabinet

**Model**

**SAP Code**

00005923

**1. SAP Code:**

00005923

**2. Net Width [mm]:**

800

**3. Net Depth [mm]:**

900

**4. Net Height [mm]:**

900

**5. Net Weight [kg]:**

124.00

**6. Gross Width [mm]:**

830

**7. Gross depth [mm]:**

970

**8. Gross Height [mm]:**

1110

**9. Gross Weight [kg]:**

134.00

**10. Device type:**

Gas unit

**11. Construction type of device:**

Stationary

**12. Power gas [kW]:**

18.000

**13. Ignition:**

Piezo+večný plamen

**14. Type of gas:**

Natural gas, propane butane

**15. Protection of controls:**

IPX5

**16. Device color:**

Stainless steel

**17. Material:**

AISI 304

**18. Indicators:**

operation and warm-up

**19. Worktop type:**

Molded - comfortable cleaning maintenance

**20. Worktop material:**

Super chrom

**21. Safety thermostat:**

Yes

**22. Adjustable feet:**

Yes

**23. Griddle dimensions [mm x mm]:**

760 x 680

**24. Griddle thickness [mm]:**

15.00

**25. Container for liquid fat:**

Yes

**26. Removable device container:**

Yes

**27. Removable rim:**

Yes

**28. Uniform heating:**

Yes

# Technical data sheet

Technical parameters



**Fry-top griddle plate 76x68 gas chromed grooved on open cabinet**

<b>Model</b>	<b>SAP Code</b>	00005923
--------------	-----------------	----------

**29. Top type:**

Grooved