

Technical data sheet



Product features

Cooking range electric 4x plate without cabinet 400 V

Model	SAP Code	00004089
--------------	-----------------	----------



- Device type: Electric unit
- Power consumption of the zone 1 [kW]: 2
- Power consumption of the zone 2 [kW]: 2
- Power consumption of the zone 3 [kW]: 2
- Power consumption of the zone 4 [kW]: 2
- Protection of controls: IPX4
- Material: AISI 304 top plate, AISI 430 cladding

SAP Code	00004089	Loading	400 V / 3N - 50 Hz
Net Width [mm]	658	Number of zones	4
Net Depth [mm]	609	Power consumption of the zone 1 [kW]	2
Net Height [mm]	290	Power consumption of the zone 2 [kW]	2
Net Weight [kg]	25.00	Power consumption of the zone 3 [kW]	2
Power electric [kW]	8.000	Power consumption of the zone 4 [kW]	2

Technical data sheet



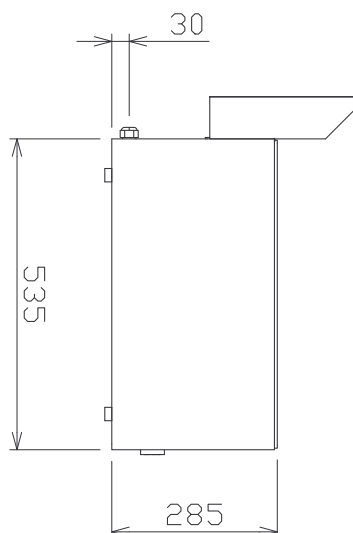
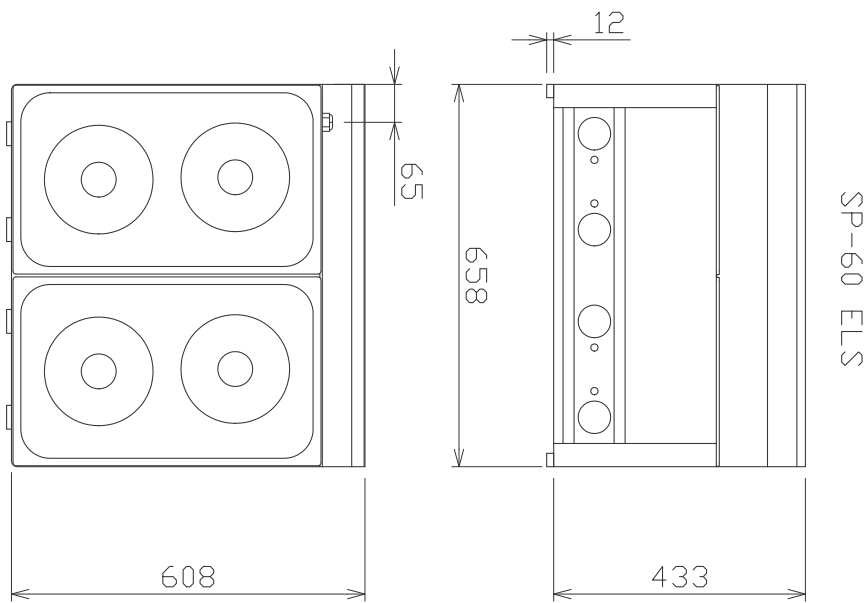
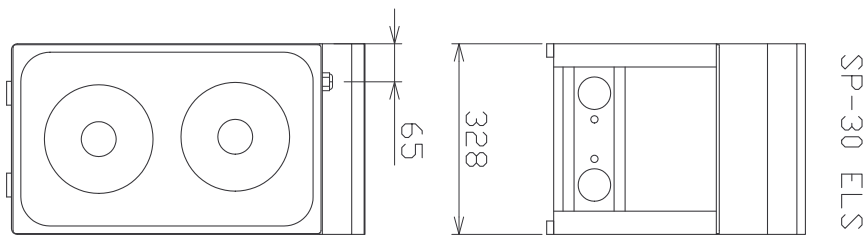
Technical drawing

Cooking range electric 4x plate without cabinet 400 V

Model

SAP Code

00004089



SP-30,60 ELS

Cooking range electric 4x plate without cabinet 400 V

Model

SAP Code

00004089

1

Internal thermostatic plate protection

longer service life of the plates

- no overheating of the plates and no cracking

2

Degree of protection of the control elements IPX4

maintenance-free system

resistance to splash water

long life

- savings on service interventions
- greater job security for staff

3

All stainless steel design

long life

resistance of AISI 304 stainless steel material

the material does not cut

- savings on service interventions
- easy cleaning and maintenance of equipment

4

Hygienic moldings of the top plate

absence of sharp corners and edges (potential places where dirt could stick)

smooth transitions

- easy quick cleaning

5

Cooking unit for use on a table or on a base

absence of sharp corners and edges (potential places where dirt could stick)

smooth transitions

- easy handling
- cost savings on substructure

Technical data sheet



Technical parameters

Cooking range electric 4x plate without cabinet 400 V

Model	SAP Code	00004089
--------------	-----------------	----------

1. SAP Code:

00004089

2. Article group:

RF-Line 600

3. Net Width [mm]:

658

4. Net Depth [mm]:

609

5. Net Height [mm]:

290

6. Net Weight [kg]:

25.00

7. Gross Width [mm]:

725

8. Gross depth [mm]:

710

9. Gross Height [mm]:

540

10. Gross Weight [kg]:

26.00

11. Device type:

Electric unit

12. Construction type of device:

Table top

13. Power electric [kW]:

8.000

14. Loading:

400 V / 3N - 50 Hz

15. Protection of controls:

IPX4

16. Material:

AISI 304 top plate, AISI 430 cladding

17. Indicators:

operation

18. Worktop material:

AISI 304

19. Worktop Thickness [mm]:

0.80

20. Number of zones:

4

21. Power consumption of the zone 1 [kW]:

2

22. Power consumption of the zone 2 [kW]:

2

23. Power consumption of the zone 3 [kW]:

2

24. Power consumption of the zone 4 [kW]:

2

25. Maximum device temperature [°C]:

400

26. Minimum device temperature [°C]:

50

27. Number of power control stages:

6

28. Adjustable feet:

Yes

Technical data sheet



Technical parameters

Cooking range electric 4x plate without cabinet 400 V

Model	SAP Code	00004089
--------------	-----------------	----------

29. Number of burners/hot plates:

4

30. Type of electric cooking zones:

Oval