

# Technical data sheet

## Product features



### Cooking range solid top gas 3x burner without cabinet

<b>Model</b>	<b>SAP Code</b>	00005860
--------------	-----------------	----------



- Device type: Gas unit
- Power consumption of the zone 1 [kW]: 12
- Power consumption of the zone 2 [kW]: 7,5
- Power consumption of the zone 3 [kW]: 5,5
- Ignition: Piezo+veÄřnÄř plamen
- Protection of controls: IPX5
- Material: Stainless steel

<b>SAP Code</b>	00005860	<b>Type of gas</b>	Natural gas, propane butane
<b>Net Width [mm]</b>	1200	<b>Number of zones</b>	3
<b>Net Depth [mm]</b>	705	<b>Power consumption of the zone 1 [kW]</b>	12
<b>Net Height [mm]</b>	280	<b>Power consumption of the zone 2 [kW]</b>	7,5
<b>Net Weight [kg]</b>	155.00	<b>Power consumption of the zone 3 [kW]</b>	5,5
<b>Power gas [kW]</b>	25.000	<b>Solid top dimensions [mm x mm]</b>	770 x 570

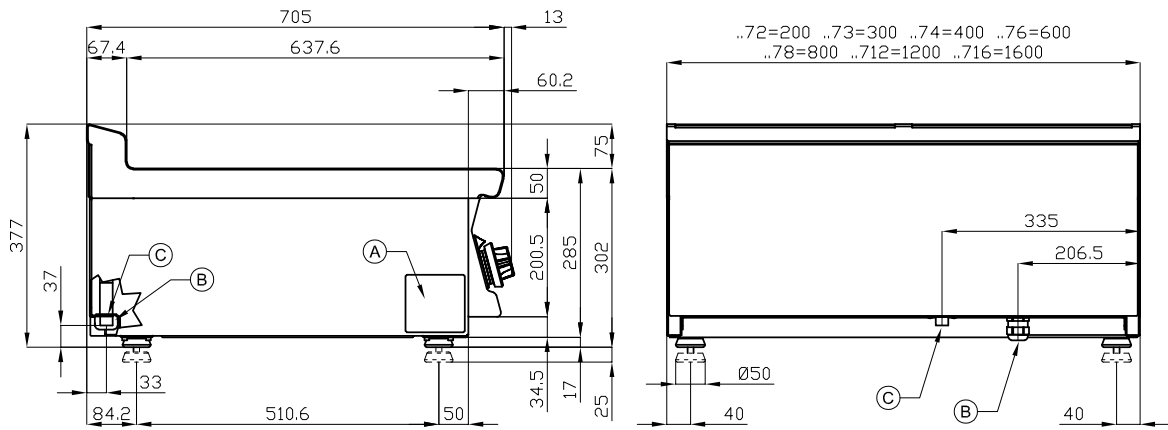
# Technical data sheet

Technical drawing



## Cooking range solid top gas 3x burner without cabinet

<b>Model</b>	<b>SAP Code</b>	00005860
--------------	-----------------	----------



A	Data plate		C	Gas connection	ISO 7-1 1/2" M
---	------------	--	---	----------------	----------------

# Technical data sheet

## Product benefits



### Cooking range solid top gas 3x burner without cabinet

Model	SAP Code	00005860
-------	----------	----------

#### 1 Massive construction of burners

- high performance and efficiency
- cast iron burners removable
- long life
  - energy saving (perfect combustion)
  - time saving for food preparation
  - easy maintenance/cleaning

#### 2 Hygienic moldings of the top plate

- absence of sharp corners and edges (potential places where dirt could stick)
- smooth transitions
  - easy quick cleaning

#### 3 Degree of protection of the control elements IPX5

- maintenance-free system
- resistance to splash water
- long life
  - savings on service interventions
  - easy cleaning and maintenance of equipment

#### 4 All-stainless design

- the material does not cut
- wear resistance of the material
- long life
  - savings on service interventions
  - easy cleaning and maintenance of equipment

#### 5 Safety element “thermocouple”

- safe operation for personnel
- there is no overheating and damage to the thallus
- long life
  - savings on service interventions
  - easier and faster operation

#### 6 Piezoelectric ignition

- instant flame ignition
- there is no unnecessary gas leakage
- long life
  - savings on service interventions
  - easier and faster operation

#### 7 Massive thal

- 15mm material ensures even distribution of heat and heating of the product (heat several pots at the same time at the same temperature)
- material resistance
- long life
  - time saving
  - ease of operation
  - savings on service interventions

#### 8 Cooking unit for use on a table or on a base

- variable use
- the possibility of placement in smaller spaces
  - easy handling
  - cost savings on substructure

# Technical data sheet

Technical parameters



## Cooking range solid top gas 3x burner without cabinet

**Model**

**SAP Code**

00005860

**1. SAP Code:**

00005860

**2. Net Width [mm]:**

1200

**3. Net Depth [mm]:**

705

**4. Net Height [mm]:**

280

**5. Net Weight [kg]:**

155.00

**6. Gross Width [mm]:**

1230

**7. Gross depth [mm]:**

770

**8. Gross Height [mm]:**

540

**9. Gross Weight [kg]:**

175.00

**10. Device type:**

Gas unit

**11. Construction type of device:**

Table top

**12. Power gas [kW]:**

25.000

**13. Ignition:**

Piezo+veÄŤnÄŤ plamen

**14. Type of gas:**

Natural gas, propane butane

**15. Protection of controls:**

IPX5

**16. Material:**

Stainless steel

**17. Worktop type:**

With removable containers - convenient maintenance, cleaning and service access

**18. Worktop material:**

AISI 304

**19. Worktop Thickness [mm]:**

2.00

**20. Number of zones:**

3

**21. Power consumption of the zone 1 [kW]:**

12

**22. Power consumption of the zone 2 [kW]:**

7,5

**23. Power consumption of the zone 3 [kW]:**

5,5

**24. Number of power control stages:**

6

**25. Service accessibility:**

From the front by removing the front panel and waste fluid containers

**26. Safety element:**

thermocouple safety feature

# Technical data sheet

Technical parameters



## Cooking range solid top gas 3x burner without cabinet

Model

SAP Code

00005860

### 27. Safety thermocouple:

Yes

### 31. Solid top thickness [mm]:

15

### 28. Number of burners/hot plates:

3

### 32. Solid top dimensions [mm x mm]:

770 x 570

### 29. Type of gas cooking zones:

Fire protection to install + Classic burners

### 33. Solid top material:

chrome-molybdenum

### 30. Burner type:

Cast iron, detachable, with internal and external combustion

### 34. Solid top ignition:

Piezo + Eternal Flame