

# Technical data sheet

## Product features



### Fry-top griddle plate smooth

<b>Model</b>	<b>SAP Code</b>	00013644
--------------	-----------------	----------



- Top type: Smooth
- Griddle dimensions [mm x mm]: 760 x 680
- Griddle thickness [mm]: 15.00
- Worktop material: Stainless steel
- Container for liquid fat: Yes
- Ignition: Piezo+veÄŤnÄŤ plamen

<b>SAP Code</b>	00013644	<b>Power gas [kW]</b>	18.000
<b>Net Width [mm]</b>	800	<b>Type of gas</b>	Propane butane, natural gas
<b>Net Depth [mm]</b>	900	<b>Griddle dimensions [mm x mm]</b>	760 x 680
<b>Net Height [mm]</b>	280	<b>Top type</b>	Smooth
<b>Net Weight [kg]</b>	98.00	<b>Worktop type</b>	Molded - comfortable cleaning maintenance

# Technical data sheet

Technical drawing

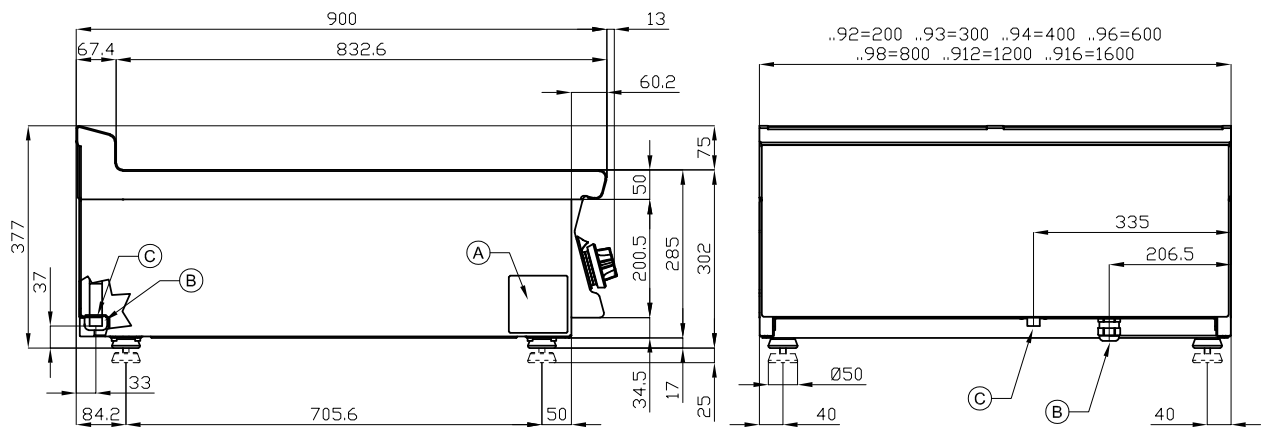


## Fry-top griddle plate smooth

Model

SAP Code

00013644



A	Data plate		C	Gas connection	ISO 7-1 1/2" M
---	------------	--	---	----------------	----------------

# Technical data sheet

Technical parameters



## Fry-top griddle plate smooth

Model

SAP Code

00013644

**1. SAP Code:**

00013644

**2. Net Width [mm]:**

800

**3. Net Depth [mm]:**

900

**4. Net Height [mm]:**

280

**5. Net Weight [kg]:**

98.00

**6. Gross Width [mm]:**

830

**7. Gross depth [mm]:**

970

**8. Gross Height [mm]:**

540

**9. Gross Weight [kg]:**

108.00

**10. Device type:**

Gas unit

**11. Construction type of device:**

Table top

**12. Power gas [kW]:**

18.000

**13. Ignition:**

Piezo+veřn plamen

**14. Type of gas:**

Propane butane, natural gas

**15. Protection of controls:**

IPX5

**16. Device color:**

Stainless steel

**17. Material:**

AISI 304

**18. Indicators:**

operation and warm-up

**19. Worktop type:**

Molded - comfortable cleaning maintenance

**20. Worktop material:**

Stainless steel

**21. Safety thermostat:**

Yes

**22. Adjustable feet:**

Yes

**23. Griddle dimensions [mm x mm]:**

760 x 680

**24. Griddle thickness [mm]:**

15.00

**25. Container for liquid fat:**

Yes

**26. Uniform heating:**

Yes

**27. Top type:**

Smooth