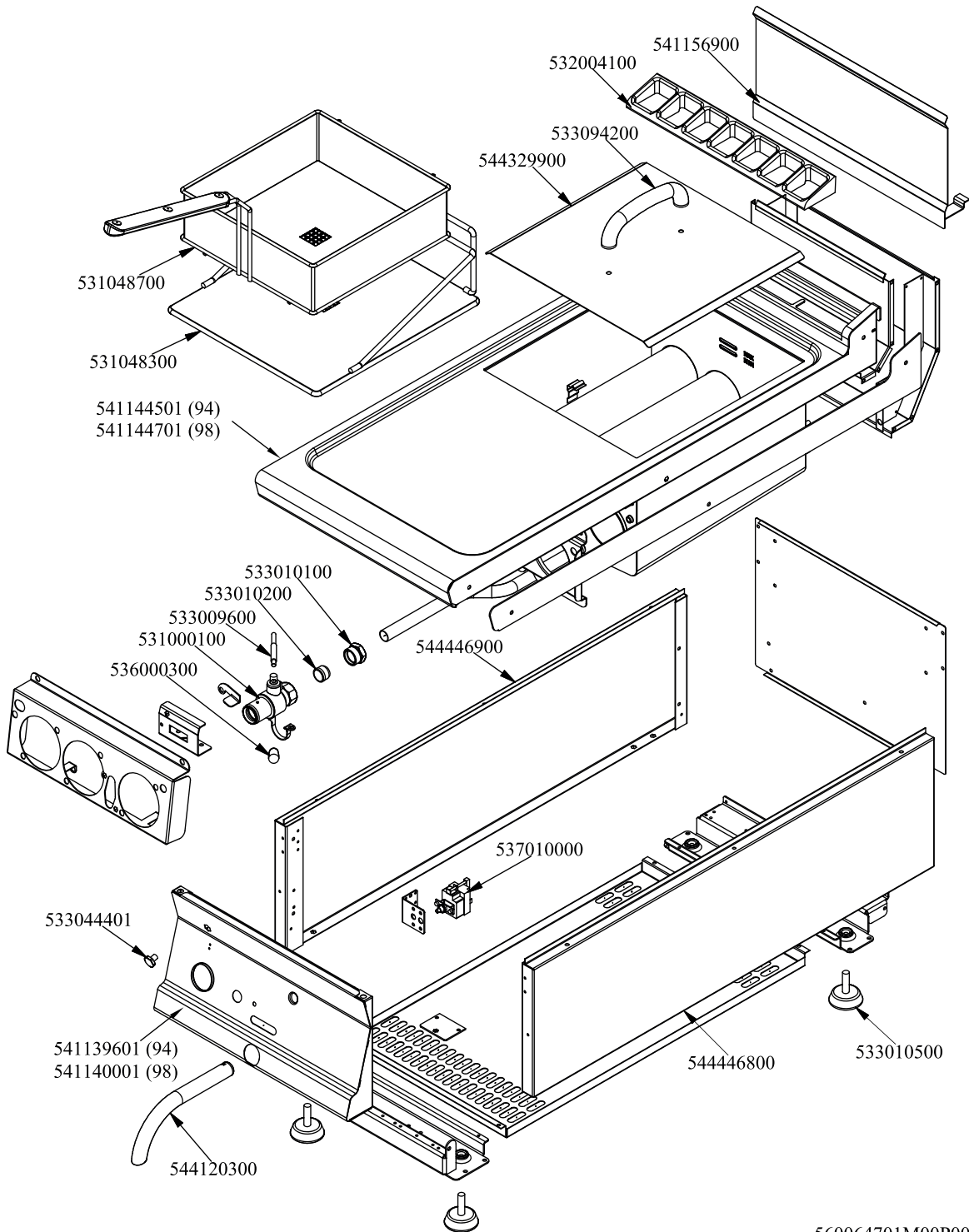




RM 900

Platný od 1.5. 2019

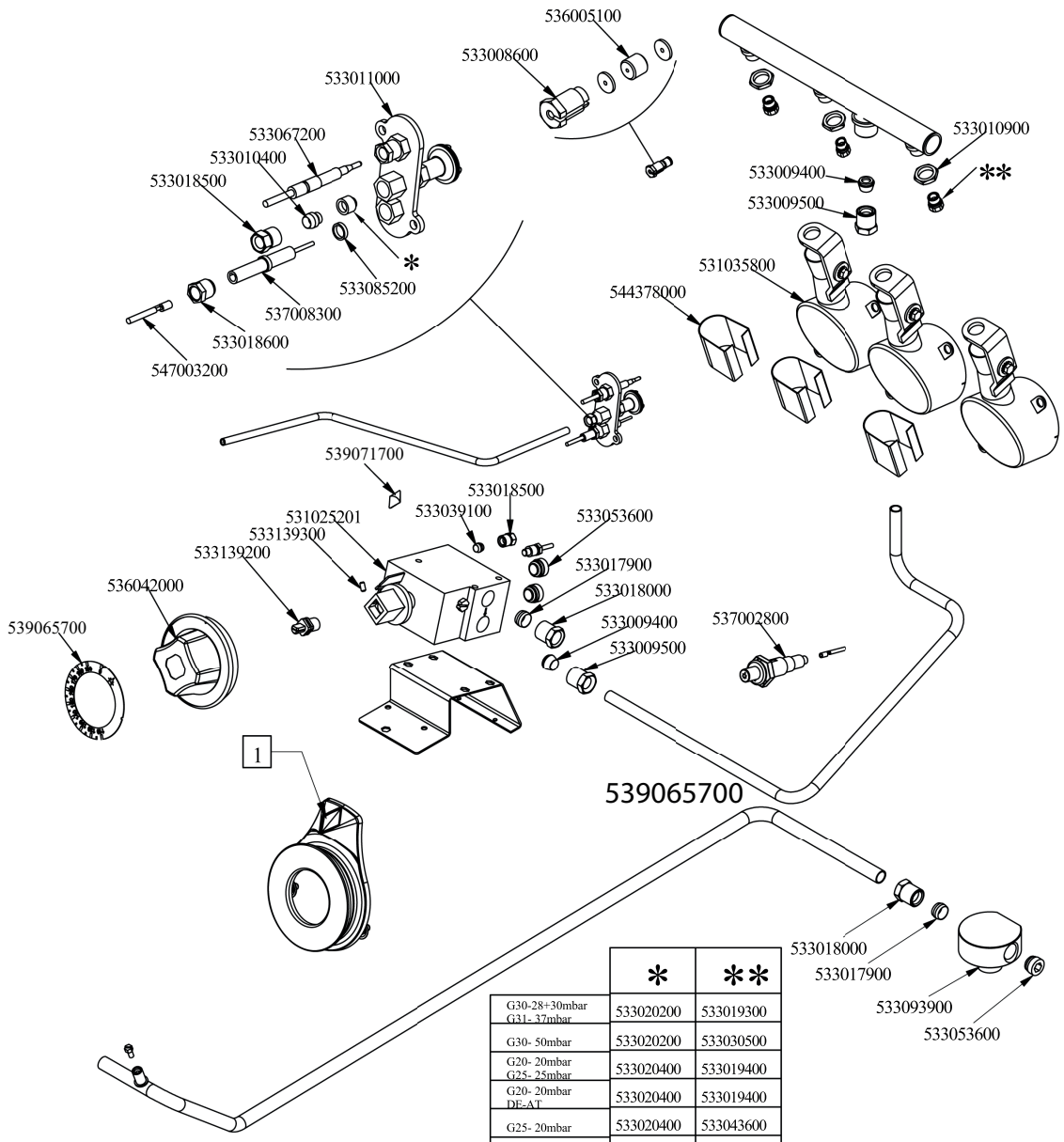
F13T-94G, F2/13T-98G



560064701M00P00



Objednačí kód	Popis v ENG
533010500	LEG M10*25 D.40
544446800	
541144501	
541139601	
544120300	DRAIN PIPE 22 FOR COCK 3/4"G
544329900	
533094200	S/S HANDLE FOR 70/90 SERIES
537010000	SAFETY THERMOSTAT 220°C SINGLEPHASE
533044401	M8 THREADED CAP FOR SEC.THERMOSTAT
533010100	3/4 D. 18 PIPE UNION
533010200	BICONE 18S
533009600	DRAIN COCK HANDLE
531000100	DRAIN COCK 3/4"
536000300	FIXED GRIP D.15*25*M6
531048700	BASKET F13T 280X290X095
531048300	TANK FILTER/BASKET SUPPORT F13T-G
544446900	LHD SIDE FOR 90T APPLIANCES
541156900	DISCHARGE PROTECTION S70

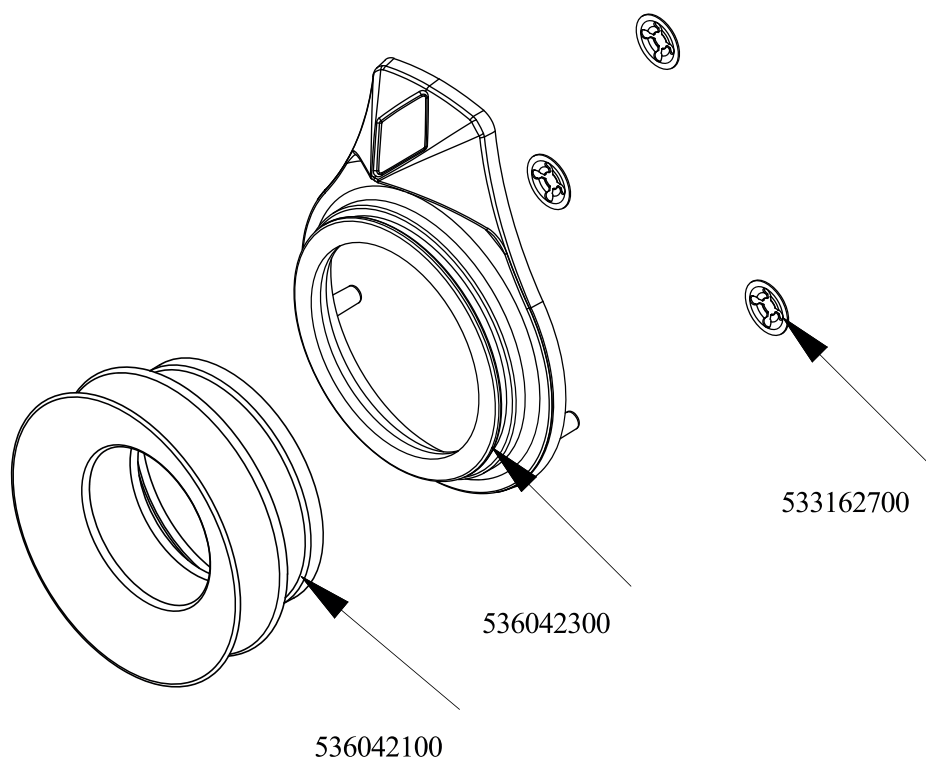


	*	**
G30-28+30mbar G31-37mbar	533020200	533019300
G30-50mbar	533020200	533030500
G20-20mbar G25-25mbar	533020400	533019400
G20-20mbar DE-AT	533020400	533019400
G25-20mbar	533020400	533043600
G25-25mbar NL	533020400	533043500
G20-25mbar	533020400	533030200

560064801M00P00



Objednací kód	Popis v ENG
537002800	PIEZOELECTRIC IGNITION M18 WITH NUT
533009500	NIPPLE FOR BICONE 10S
533009400	BICONE 10S
533139300	BURNISH HEADLESS SCREW M05*05 PCEI
533139200	SHORT PIVOT FOR BRASS KNOB
531035800	BURNER FOR FRYER F13T
544378000	BUSH FOR BURNER AIR-REGULATION F13T
533010900	NUT M14*1 H.4
533008600	STUFFING BOX M9*1
536005100	GRAPHITE §07,4 GASKET
539071700	ADHES.LABEL FOR RING GREEN SIGN.
533039100	BICONE §6
533018500	FITTING FOR BICONE D.6 M10*1
533053600	EUROSIT VALVE PLUG
533017900	BICONE D.12
533018000	ELBOW FOR BICONE D.12 3/8 RS L20
533011000	PILOT BURNER 3 FLAMES 320
533010400	BICONE D.6
533067200	THERMOCOUPLE 220+500 M9*1 CUT-OFF
533085200	SPACER FOR PILOT PLUG
537008300	ROUND PLUG §2,4- LONG ELECTRODE
533018600	PLUG FITTING
547003200	HIGH-VOLTAGE CABLE TUBE.§2 L=500
531025201	EUROSIT VALVE FQ 110-190°C
539065700	BLACK STICKING DISK 72 (110,190°)
536042000	SILVER CHROM. KNOB Ø77 4P.G.Ø8SX6,5
533093900	FITTING GAS ENTRY 1/2G 2OUT 3/8G
533020200	PILOT JETS 0160 FOR LPG §30
533020400	NOZZLE 0160 (NATURAL GAS) 51
533019300	NOZZLE §100 G-FQ5 F-CW
533030500	NOZZLE §90 CH12X14 G30/CE
533019400	NOZZLE §180 CH12*14 L-FQ5
533043600	NOZZLE §200 CH12*14 L-PC4 UR
533043500	NOZZLE §190 CH12*14 G25 PC4R
533030200	NOZZLE §170 CH12*14 MH-FG L-FP/CW
-	-



560125700M00P00



Objednací kód	Popis v ENG
536042300	SILVER CHROM. RING FOR KNOB Ø77 4 P
536042100	SEAL CASING FOR KNOB Ø77 4 P
533162700	PROCESSING CODE