

Technical data sheet

Product features



Multi-function fixed braising pan gas 16 l cabinet with door

Model	SAP Code	00005392
--------------	-----------------	----------



- Bottom material: Stainless steel - suitable for cooking, easy maintenance
- Bottom thickness: 16.00
- Basin volume [l]: 16
- Usable volume [l]: 16
- Ignition: Piezo+večný plamen
- Filling: Mechanical cock
- Type of pan: Fixed
- Protection of controls: IPX5
- Basin dimensions [mm x mm x mm]: 300 x 680 x 100

SAP Code	00005392	Type of gas	Natural gas, propane butane
Net Width [mm]	400	Bottom material	Stainless steel - suitable for cooking, easy maintenance
Net Depth [mm]	900	Basin volume [l]	16
Net Height [mm]	900	Usable volume [l]	16
Net Weight [kg]	67.00	Width of internal part [mm]	300
Power electric [kW]	9.000	Depth of internal part [mm]	680
Power gas [kW]	9.000	Height of internal part [mm]	100

Technical data sheet

Technical drawing

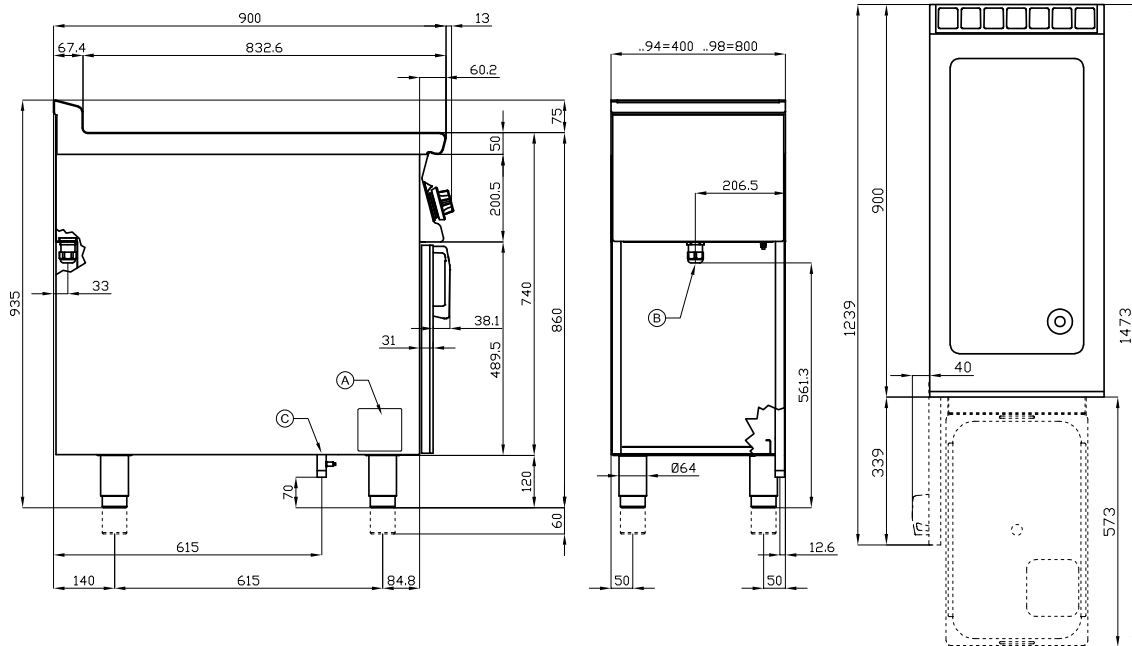


Multi-function fixed braising pan gas 16 l cabinet with door

Model

SAP Code

00005392



A	Data plate		C	Gas connection	ISO 7-1 1/2" M
---	------------	--	---	----------------	----------------

Technical data sheet

Product benefits



Multi-function fixed braising pan gas 16 l cabinet with door

Model

SAP Code

00005392

1

Safety element – thermocouple

safe service for staff
there is no unnecessary gas leakage
long life

- savings on service interventions
- easier and faster operation

2

Degree of protection of the control elements IPX5

maintenance-free system
resistance to splash water
long life

- savings on service interventions
- easy cleaning and maintenance of equipment

3

Outlet to a removable collector in the substructure

outlet of the bath into the prepared container

- easy and safe handling

4

Solid stainless steel bathtub

long life
resistance of a ground steel plate with
a thickness of 10 mm

- savings on service interventions
- easy cleaning and maintenance of equipment

Technical data sheet

Technical parameters



Multi-function fixed braising pan gas 16 l cabinet with door

Model

SAP Code

00005392

1. SAP Code:

00005392

2. Net Width [mm]:

400

3. Net Depth [mm]:

900

4. Net Height [mm]:

900

5. Net Weight [kg]:

67.00

6. Gross Width [mm]:

430

7. Gross depth [mm]:

970

8. Gross Height [mm]:

1110

9. Gross Weight [kg]:

79.00

10. Device type:

Gas unit

11. Construction type of device:

With substructure

12. Power electric [kW]:

9.000

13. Power gas [kW]:

9.000

14. Ignition:

Piezo+večný plamen

15. Type of gas:

Natural gas, propane butane

16. Protection of controls:

IPX5

17. Device color:

Stainless steel

18. Material:

AISI 304

19. Indicators:

operation and warm-up

20. Worktop type:

Molded - comfortable cleaning maintenance

21. Basin volume [l]:

16

22. Basin dimensions [mm x mm x mm]:

300 x 680 x 100

23. Maximum device temperature [°C]:

300

24. Minimum device temperature [°C]:

50

25. Safety thermocouple:

Yes

26. Adjustable feet:

Yes

27. Bottom thickness:

16.00

28. Bottom material:

Stainless steel - suitable for cooking, easy maintenance

Technical data sheet

Technical parameters



Multi-function fixed braising pan gas 16 l cabinet with door

Model

SAP Code

00005392

29. Type of pan:

Fixed

33. Width of internal part [mm]:

300

30. Usable volume [l]:

16

34. Depth of internal part [mm]:

680

31. Filling:

Mechanical cock

35. Height of internal part [mm]:

100

32. Drain:

Yes