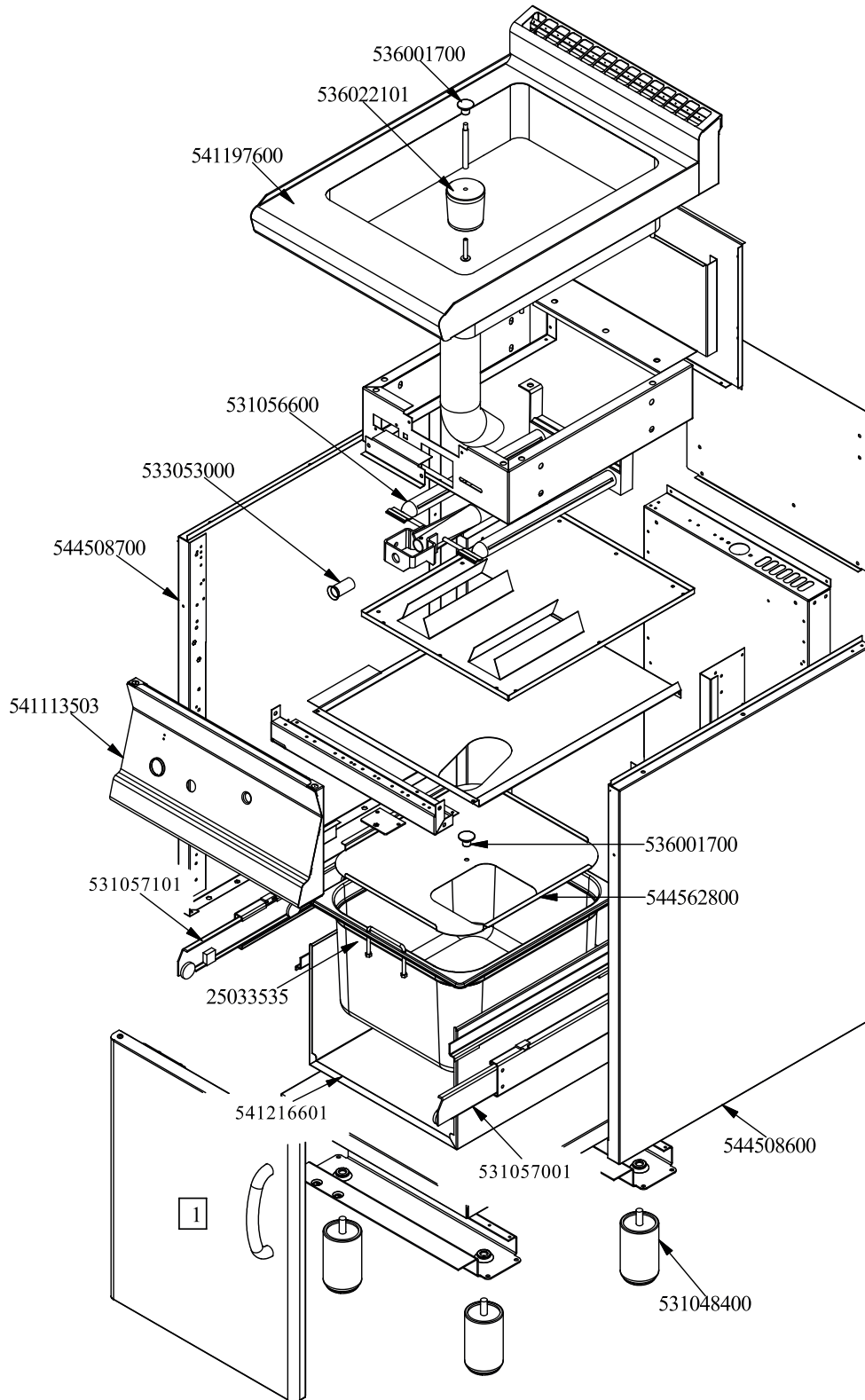




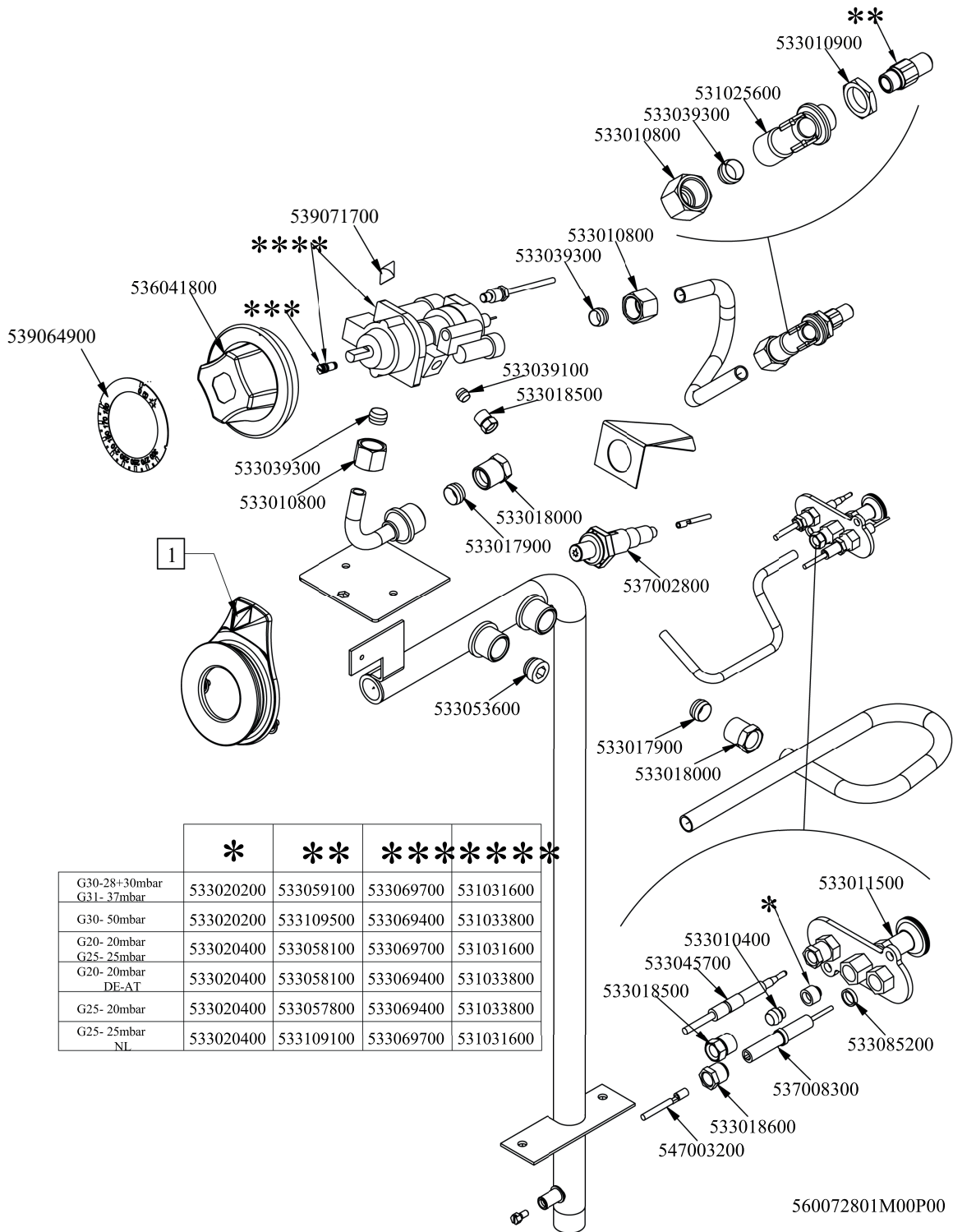
RM 600
 Platný od 1.5. 2019
 BRF-64G



560072701M00P00



Objednací kód	Popis v ENG
541197600	UPPER PLATE S60T BRF-64G
541113503	
544508700	
544508600	
531048400	INOX LEG Ø1"3/4 100-165 M10
531056600	BURNER BRF-64G 06KW
533053000	AIR ADJUSTMENT BUSHING §18
25033535	
544562800	
536001700	GRIP D.25*19*M6
536022101	PLUG FOR BRF BASIN
531057101	LHD TELESCOPIC GUIDE L466
531057001	RHD TELESCOPIC GUIDE L466
541216601	PROCESSING CODE
-	-

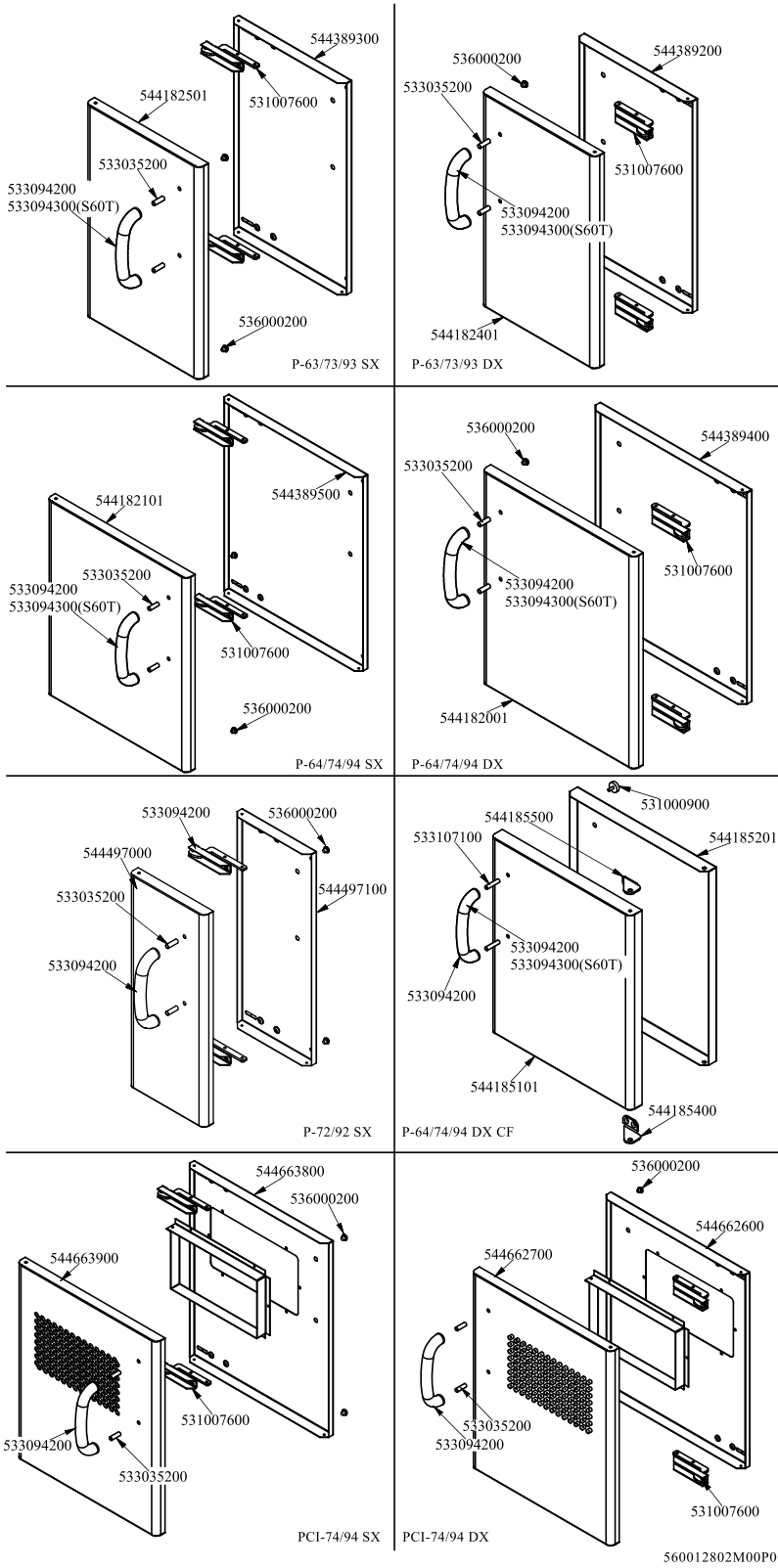


	*	**	****	*****
G30-28+30mbar G31-37mbar	533020200	533059100	533069700	531031600
G30-50mbar	533020200	533109500	533069400	531033800
G20-20mbar G25-25mbar	533020400	533058100	533069700	531031600
G20-20mbar DE-AT	533020400	533058100	533069400	531033800
G25-20mbar	533020400	533057800	533069400	531033800
G25-25mbar NL	533020400	533109100	533069700	531031600

560072801M00P00

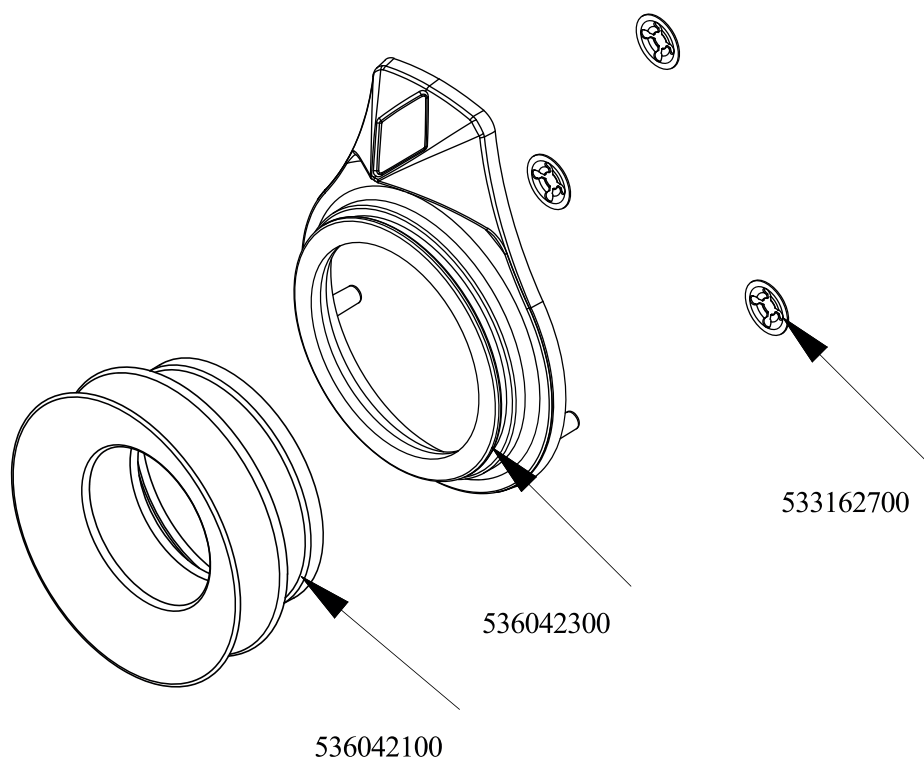


Objednací kód	Popis v ENG
533020200	PILOT JETS 0160 FOR LPG §30
533020400	NOZZLE 0160 (NATURAL GAS) 51
533059100	NOZZLE §125A CH12*30 G-BM8
533109500	NOZZLE CH12X30,0 Ø105A
533058100	NOZZLE §190 CH12*30 G-BRF78
533057800	NOZZLE §205A CH12*30 H-BRF74
533109100	NOZZLE CH12X30,0 Ø195A S/F.E.
533069700	BY PASS COCK §075 25ST
533069400	BY PASS COCK §065 25ST
531031600	HORIZON.THERMOSTATIC TAP BY-PASS 75
531033800	HORIZON.THERMOSTATIC TAP BYPASS §65
533053600	EUROSIT VALVE PLUG
533017900	BICONE D.12
533018000	ELBOW FOR BICONE D.12 3/8 RS L20
547003200	HIGH-VOLTAGE CABLE TUBE,§2 L=500
533018600	PLUG FITTING
537008300	ROUND PLUG §2,4- LONG ELECTRODE
533085200	SPACER FOR PILOT PLUG
533018500	FITTING FOR BICONE D.6 M10*1
533045700	THERMOCOUPLE M9*1 500
533010400	BICONE D.6
533011500	PILOT BURNER 2 FLAMES 220
533010800	TUBE NUT D.10 M16*1,5
533039300	BICONE §10
537002800	PIEZOELECTRIC IGNITION M18 WITH NUT
533039100	BICONE §6
539065600	ADHES.LABEL FOR RING GREEN SIGN.
536041800	SILVER CHROM. KNOB Ø77 4P.G.Ø08X6,5
533010900	NUT M14*1 H.4
531025600	ELBOW 90° NOZZLE-HOLDER §10 PIPE
539064900	BLACK STICKING DISK 72 (150,300°)
-	-





Objednací kód	Popis v ENG
544185101	RIGHT DOOR 74 CF
533107100	HANDLE SPACER OF CF-70
533094200	S/S HANDLE FOR 70/90 SERIES
544185400	LOWER DOOR HINGE FOR COMPARTME CF70
544185500	UPPER DOOR HINGE FOR COMPARTME CF70
544185201	INNER DOOR * 74DX
531000900	MAGNET §22 KG.3 WITH DISK
536000200	D.12 H.4 BUMPER
544182001	RIGHT DOOR 74
531007600	DOOR HINGE
544389400	
533035200	HANDLE SPACER
544182101	LEFT DOOR 74
544389500	INNER-DOOR OF LHD 74
544182401	RIGHT DOOR 73
544389200	
544389300	
544182501	LEFT DOOR 73
544497000	
544497100	
544663900	LHD 74 DOOR FOR PCI
544663800	74 LHD OVEN INNER DOOR FOUR PCI
544662700	DOOR 74 DX PCI
544662600	
533094300	S/S HANDLE FOR 600T.LINE



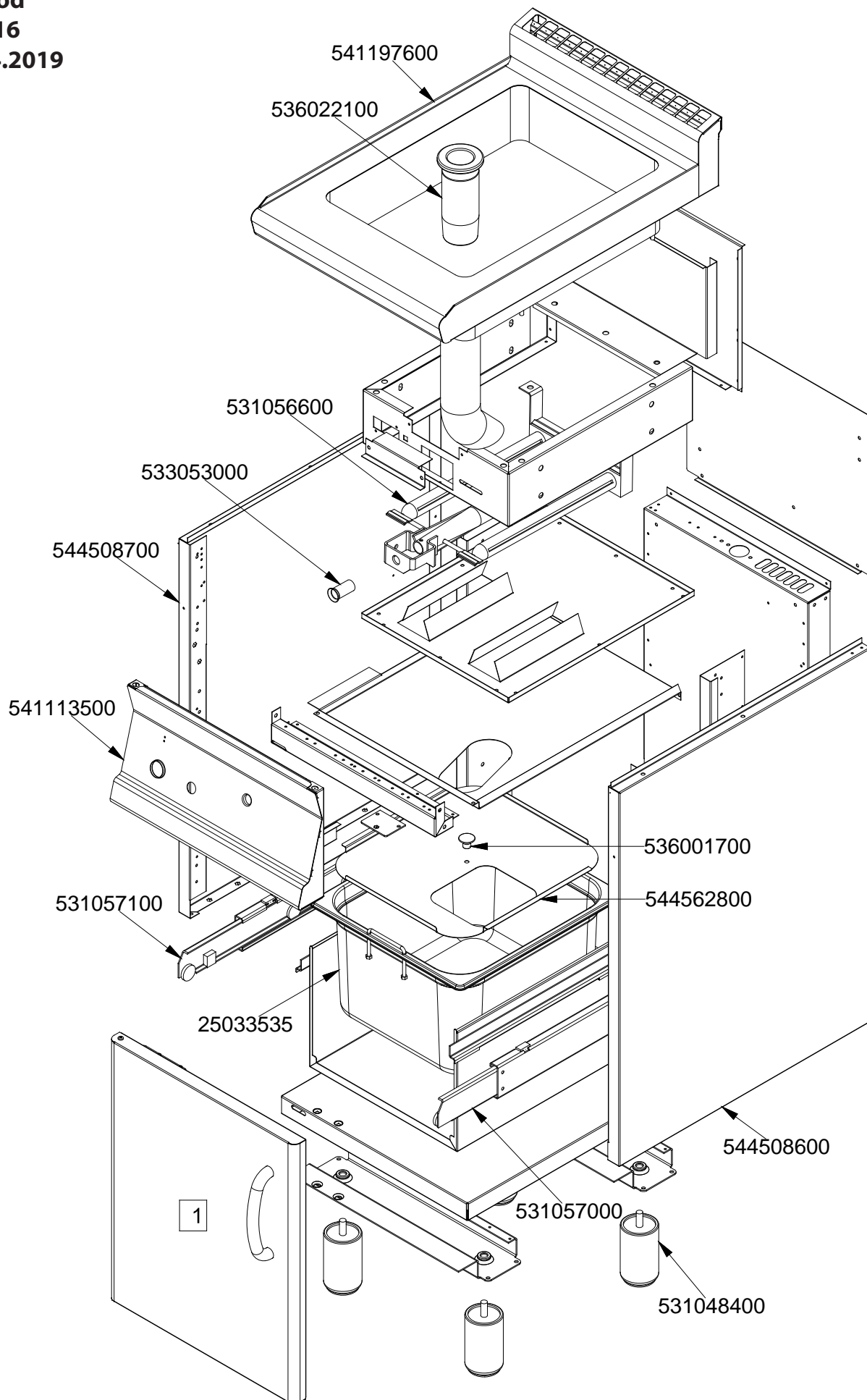
560125700M00P00



Objednačí kód	Popis v ENG
536042300	SILVER CHROM. RING FOR KNOB Ø77 4 P
536042100	SEAL CASING FOR KNOB Ø77 4 P
533162700	PROCESSING CODE

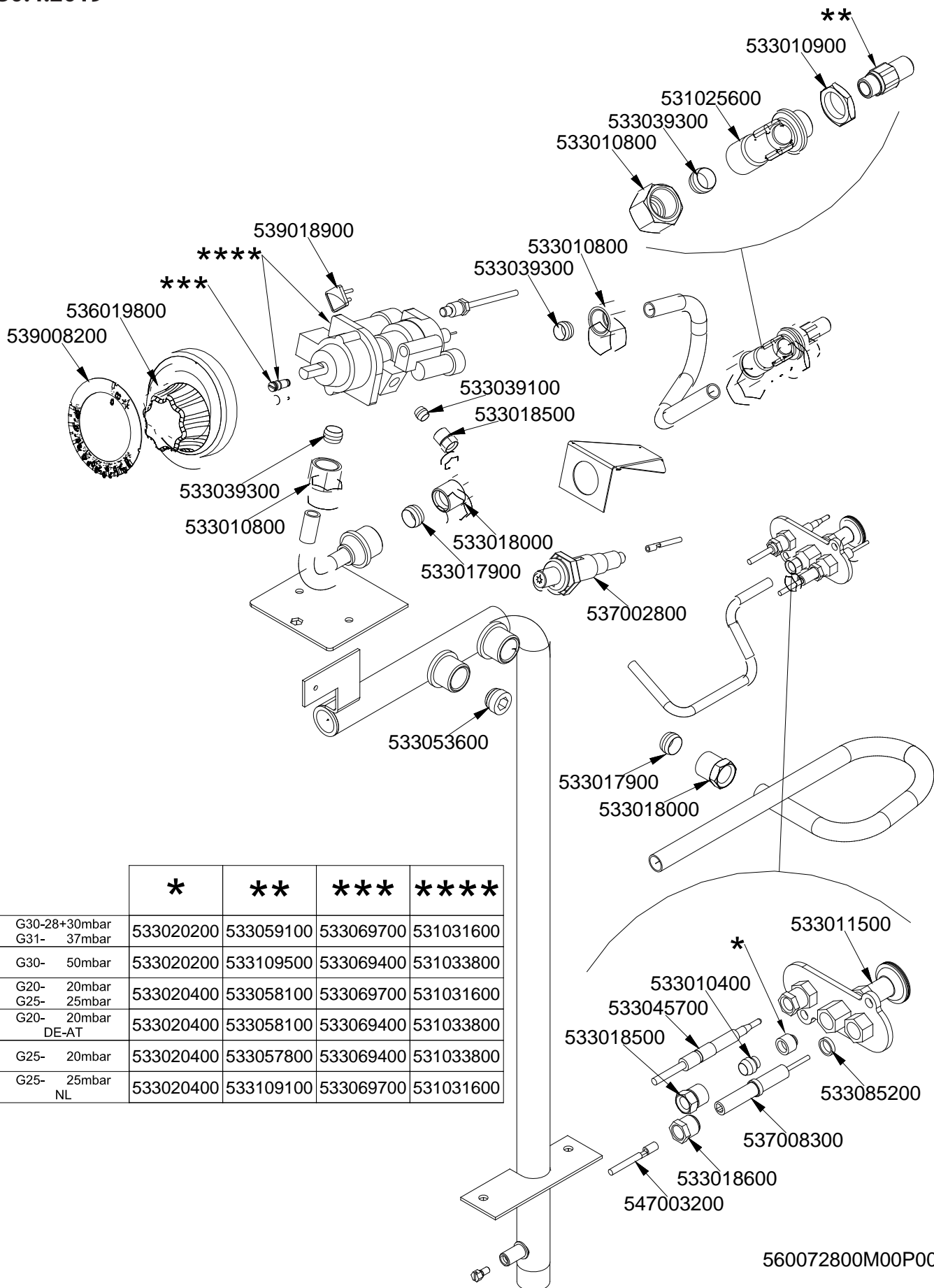


BRF - 64 G
 Platný od
 1.5.2016
 do 30.4.2019





BRF - 64 G
 Platný od
 1.5.2016
 do 30.4.2019



	*	**	***	****
G30-28+30mbar G31- 37mbar	533020200	533059100	533069700	531031600
G30- 50mbar	533020200	533109500	533069400	531033800
G20- 20mbar G25- 25mbar	533020400	533058100	533069700	531031600
G20- 20mbar DE-AT	533020400	533058100	533069400	531033800
G25- 20mbar	533020400	533057800	533069400	531033800
G25- 25mbar NL	533020400	533109100	533069700	531031600

560072800M00P00



BRF - 64 G (1)
Platný od
1.5. 2016
do 30.4.2019

