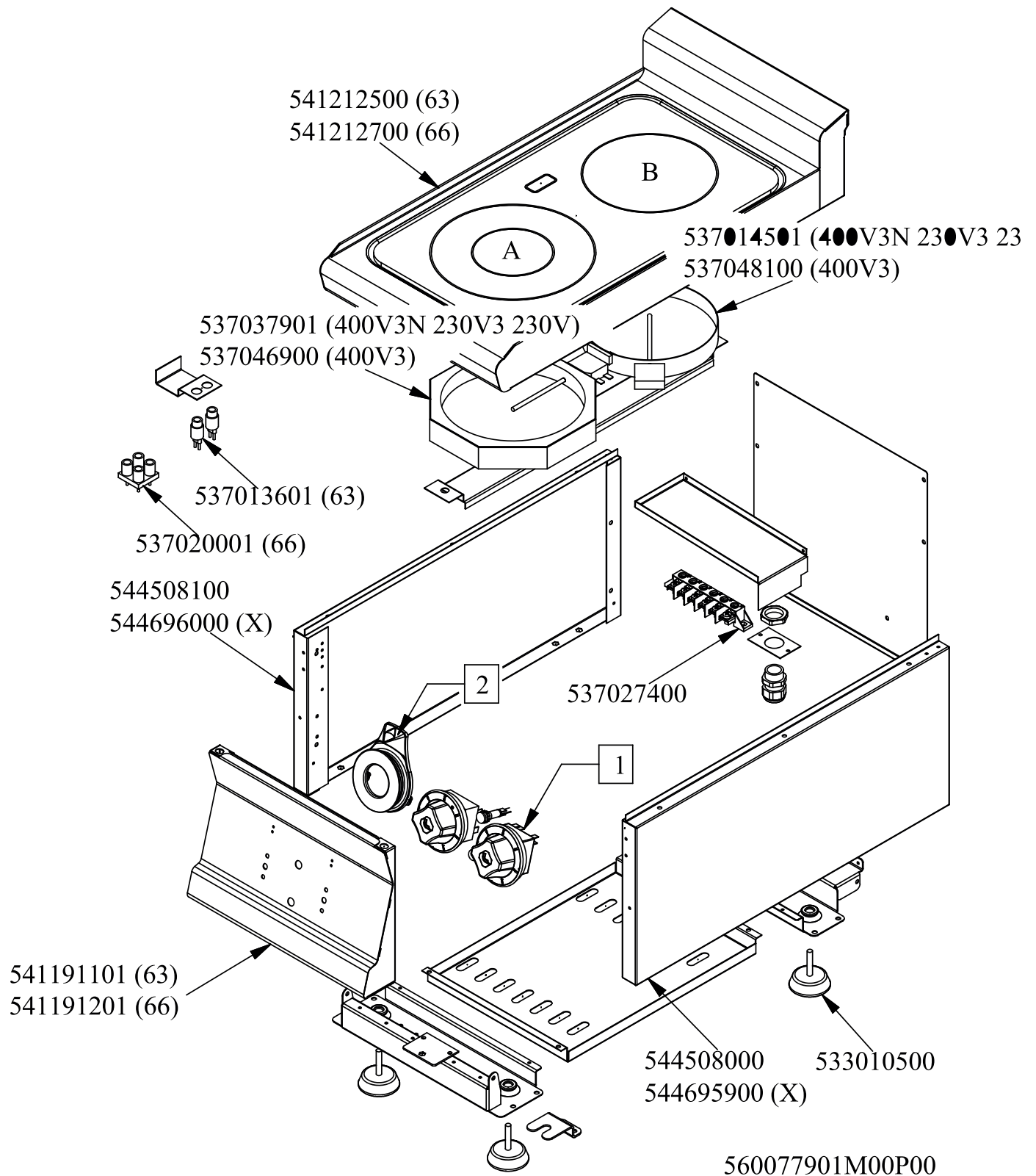


RM 600

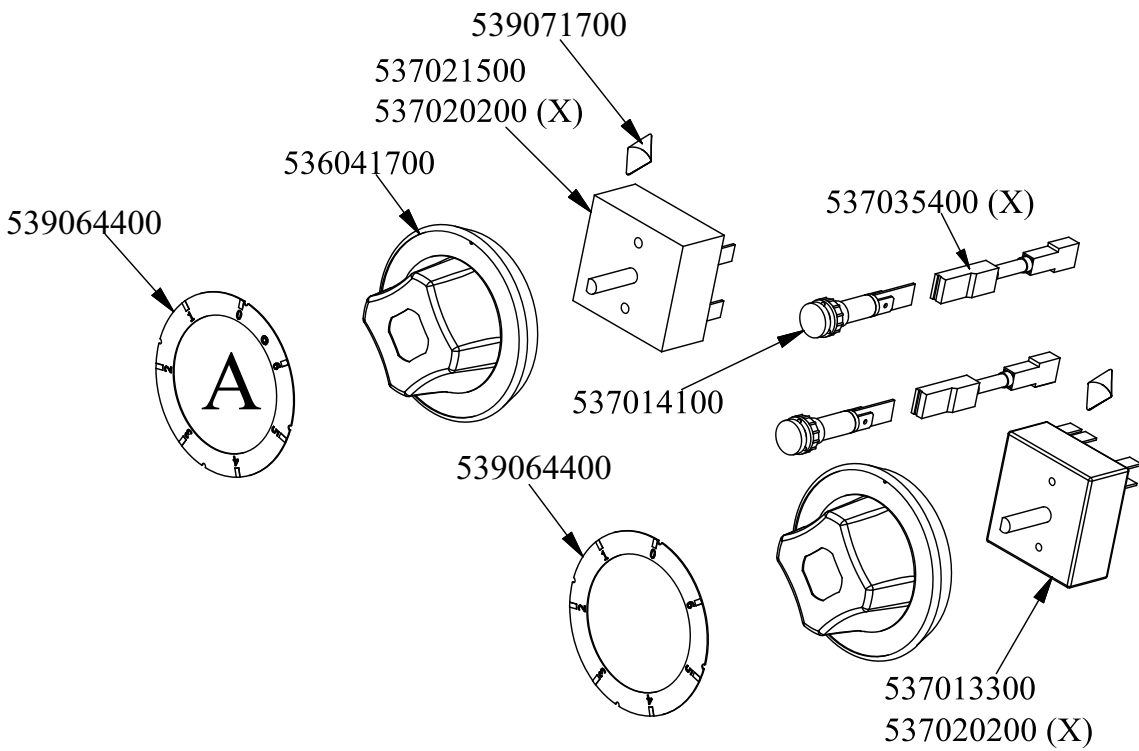
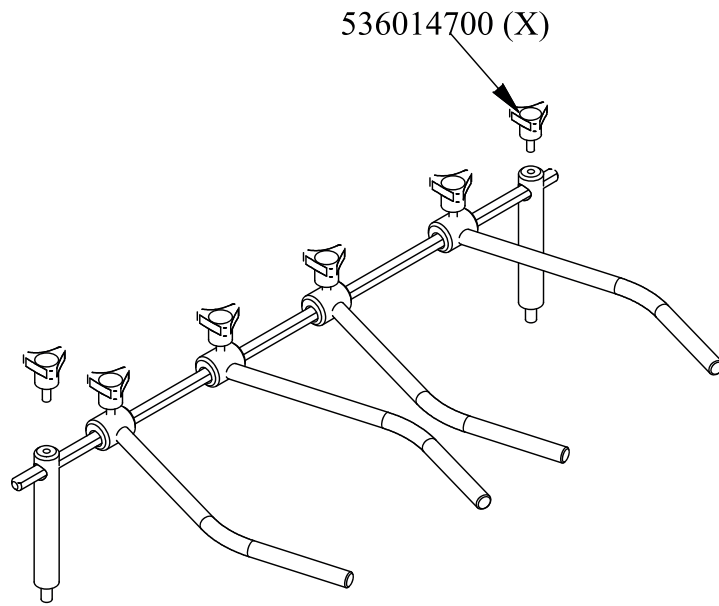
Platný od 1.5. 2019

PCCT-63ET, PC-66ET





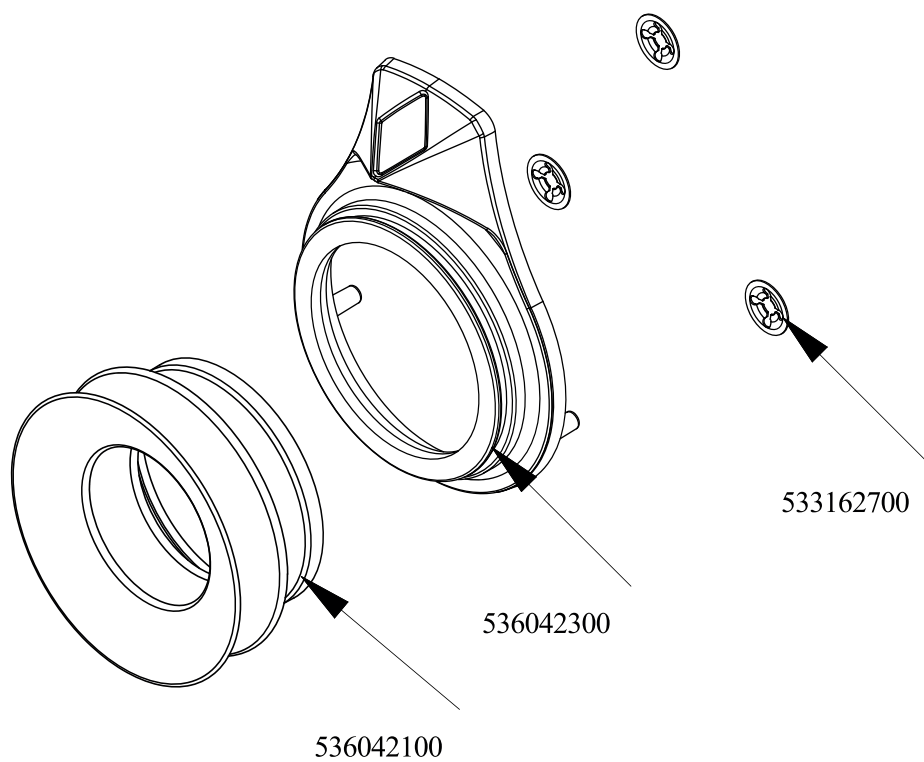
Objednací kód	Popis v ENG
537013601	REMAINING HEAT WARN.LIGHT W/CABLES
541212500	GLASS UPPER PLATE FOR PCCT-63E
541191101	
537027400	TERMINAL BLOCK THREEPHASE 40A
533010500	LEG M10*25 D.40
544508000	RHD SIDE OF 60T APPLIANCES
544508100	LHD SIDE OF 60T APPLIANCES
537014501	RADIATION HEATER Ø165 1200W 230V
537037901	RADIATION HEATER Ø200 230V
-	-
-	-



560095001M00P00



Objednací kód	Popis v ENG
536041700	SILVER CHROM. KNOB Ø77 4P.G.Ø06X4,6
539071700	ADHES.LABEL FOR RING GREEN SIGN.
537014100	WHITE WARNING LIGHT 250V
536014700	3 DRILL WHEELS
539064400	BLACK ADESIVE DISK FOR PCC-E
537035400	HEATING ELEMENT 00003W 330KOHM W/F
537021500	REGULATOR FOR EL.PLATE 2CIRC.230V
537020200	ENERGY REGULATOR SM 380V
537013300	CURRENT REGULATOR FOR ELEC. PLATE



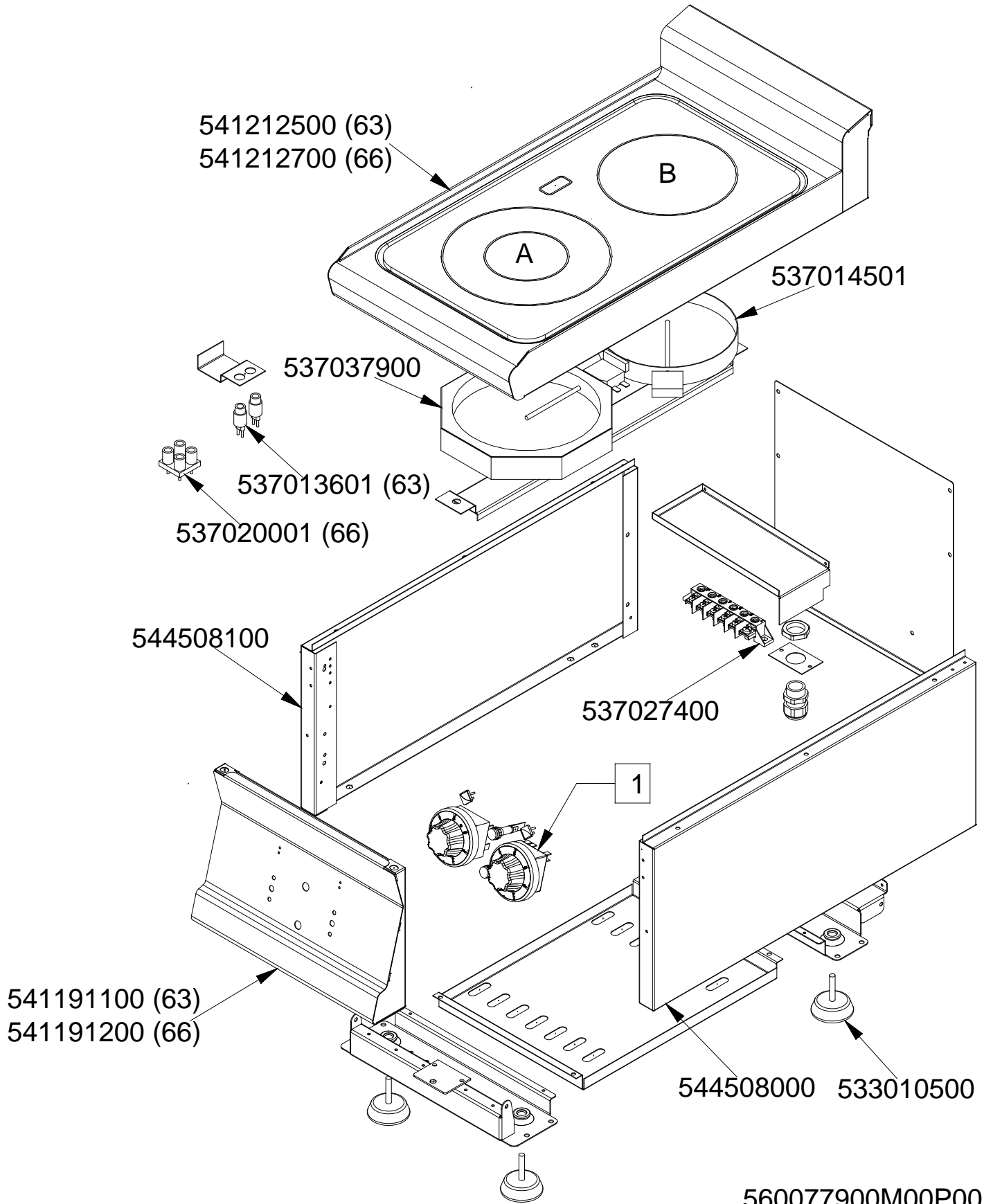
560125700M00P00



Objednačí kód	Popis v ENG
536042300	SILVER CHROM. RING FOR KNOB Ø77 4 P
536042100	SEAL CASING FOR KNOB Ø77 4 P
533162700	PROCESSING CODE



PCCT - 63 ET, PCCT - 66 ET
 Platný od 1.5.2016
 do 30.4.2019



PCCT - 63 ET, PCCT - 66 ET

(1)

Platný od 1.5.2016

do 30.4.2019

