

Technical data sheet

Product features



Cooking range solid top gas 1x burner on open cabinet

Model	SAP Code	00004667
--------------	-----------------	----------



- Device type: Gas unit
- Power consumption of the zone 1 [kW]: 12
- Ignition: Piezo + Eternal Flame
- Protection of controls: IPX5
- Material: AISI 304

SAP Code	00004667	Power gas [kW]	12.000
Net Width [mm]	800	Type of gas	Natural gas, propane butane
Net Depth [mm]	900	Number of zones	1
Net Height [mm]	900	Power consumption of the zone 1 [kW]	12
Net Weight [kg]	128.00	Solid top dimensions [mm x mm]	770 x 730

Technical data sheet

Technical drawing

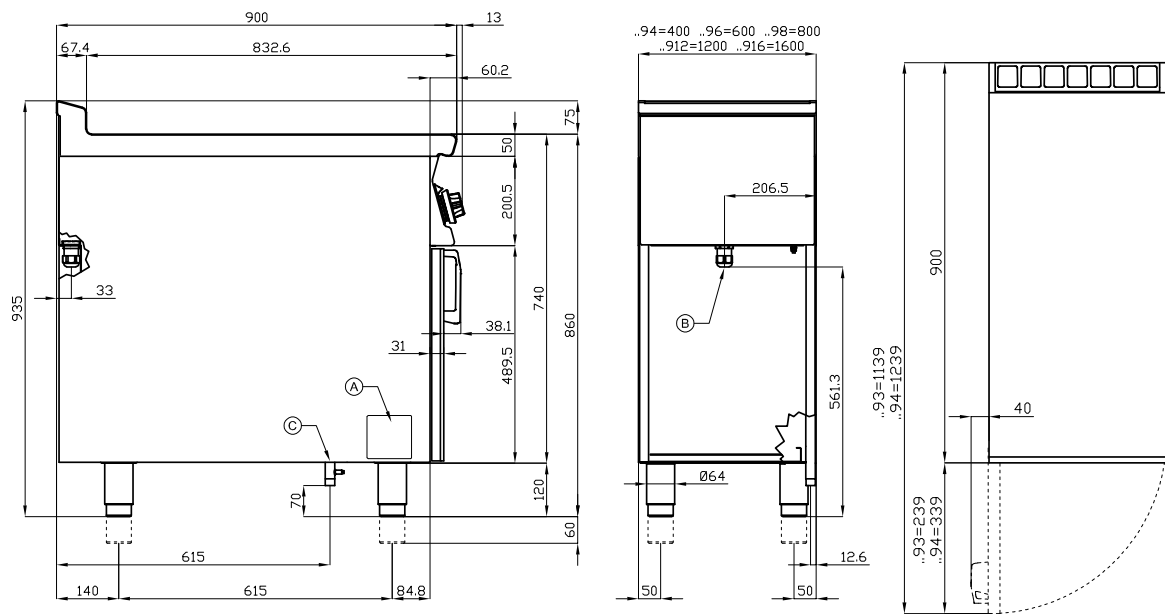


Cooking range solid top gas 1x burner on open cabinet

Model

SAP Code

00004667



A	Data plate		C	Gas connection	ISO 7-1 1/2" M
---	------------	--	---	----------------	----------------

Technical data sheet

Product benefits



Cooking range solid top gas 1x burner on open cabinet

Model	SAP Code	00004667
-------	----------	----------

1

Massive construction of burners

- high performance and efficiency
- brass burners removable
- eternal flame
- long life
- demountable
 - energy saving (perfect combustion)
 - time saving for food preparation
 - easy maintenance/cleaning

2

Hygienic moldings of the top plate

- absence of sharp corners and edges (potential places where dirt could stick)
- smooth transitions
 - easy quick cleaning

3

Degree of protection of the control elements IPX5

- maintenance-free system
- resistance to splash water
- long life
 - savings on service interventions
 - easy cleaning and maintenance of equipment

4

All-stainless design

- the material does not cut
- wear resistance of the material
- long life
 - savings on service interventions
 - easy cleaning and maintenance of equipment

5

Safety element – thermocouple

- safe operation for personnel
- there is no overheating and damage to the thallus
- long life
 - savings on service interventions
 - easier and faster operation

6

Piezoelectric ignition

- instant flame ignition
- there is no unnecessary gas leakage
- long life
 - savings on service interventions
 - easier and faster operation

7

Massive thal

- 15mm material ensures even distribution of heat and heating of the product (heat several pots at the same time at the same temperature)
- material resistance
- long life
 - time saving
 - ease of operation
 - savings on service interventions

Technical data sheet

Technical parameters



Cooking range solid top gas 1x burner on open cabinet

Model

SAP Code

00004667

1. SAP Code:

00004667

2. Net Width [mm]:

800

3. Net Depth [mm]:

900

4. Net Height [mm]:

900

5. Net Weight [kg]:

128.00

6. Gross Width [mm]:

830

7. Gross depth [mm]:

970

8. Gross Height [mm]:

1110

9. Gross Weight [kg]:

144.00

10. Device type:

Gas unit

11. Construction type of device:

With substructure

12. Power gas [kW]:

12.000

13. Ignition:

Piezo + Eternal Flame

14. Type of gas:

Natural gas, propane butane

15. Protection of controls:

IPX5

16. Device color:

Stainless steel

17. Material:

AISI 304

18. Worktop type:

Molded - comfortable cleaning maintenance

19. Worktop material:

AISI 304

20. Worktop Thickness [mm]:

2.00

21. Number of zones:

1

22. Power consumption of the zone 1 [kW]:

12

23. Number of power control stages:

6

24. Grid material:

Cast iron

25. Service accessibility:

From the front by removing the front panel and waste fluid containers

26. Safety thermocouple:

Yes

27. Adjustable feet:

Yes

28. Number of burners/hot plates:

1

Technical data sheet

Technical parameters



Cooking range solid top gas 1x burner on open cabinet

Model	SAP Code	00004667
--------------	-----------------	----------

29. Type of gas cooking zones:

Thales

31. Solid top dimensions [mm x mm]:

770 x 730

30. Solid top thickness [mm]:

15

32. Solid top ignition:

Piezo + Eternal Flame