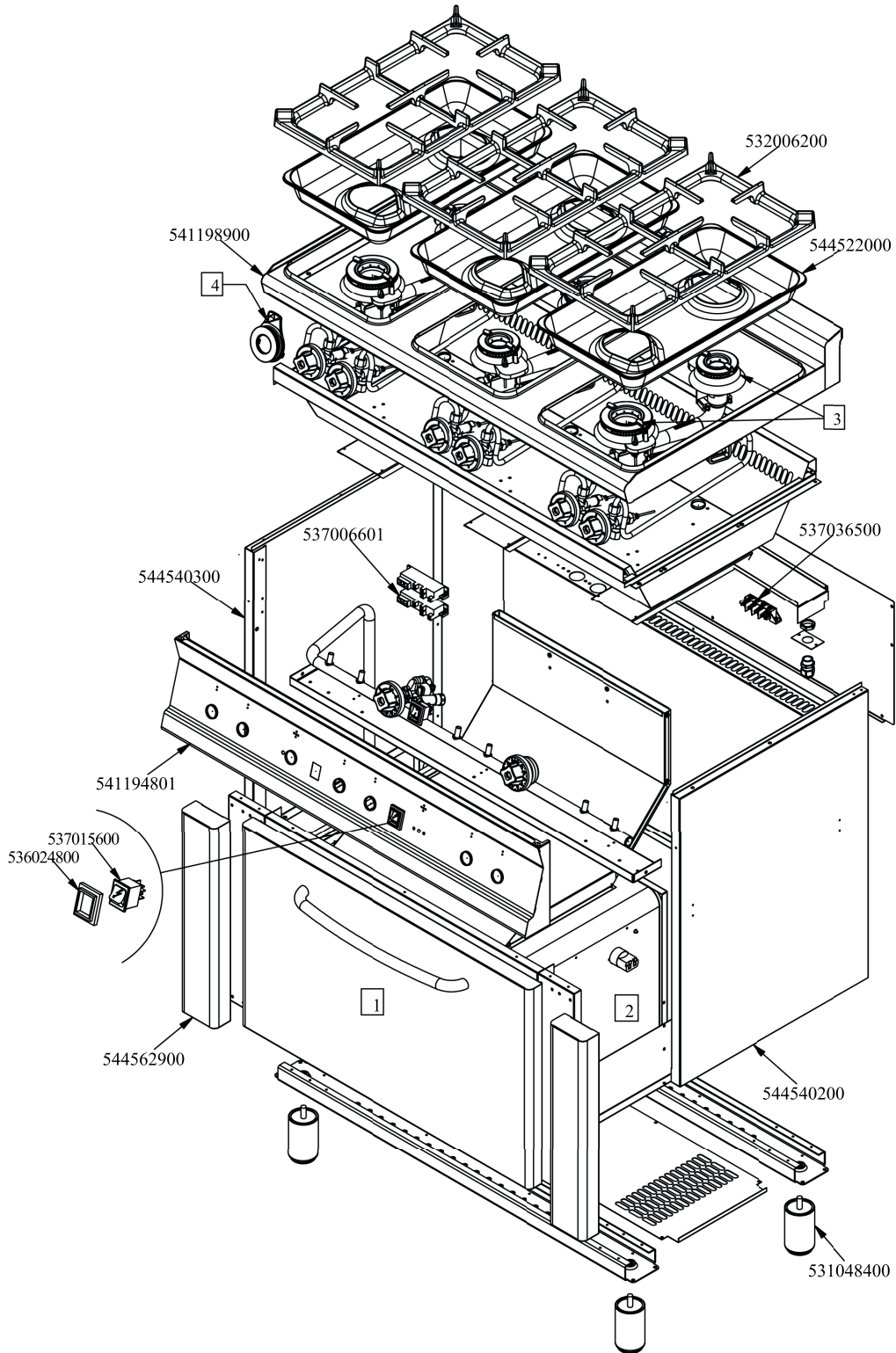




RM 600  
 Platný od 1.5. 2019  
 CF6-610G





Objednací kód	Popis v ENG
531048400	INOX LEG Ø1"3/4 100-165 M10
544540200	
544562900	SIDE PANEL OF OVEN DOOR CF 610
541194801	CONTROL PANEL 607090 CF6-610G
544540300	
537036500	TERMINAL BLOCK 4POLES 40A SCREW-SCR
541198900	UPPER PLATE CF 6-610G
532006200	2 BURNERS GRID 289X504 60T RAF
544522000	BURNER DRIP PAN OF PCT-60
537015600	BIPOLAR SWITCH
536024800	HOOD WITH SWITCH FRAME
537006601	IGNITION UNIT 4 FLAMES V230
-	-
-	-
-	-
-	-



531059201<15071191  
531059202>15071192

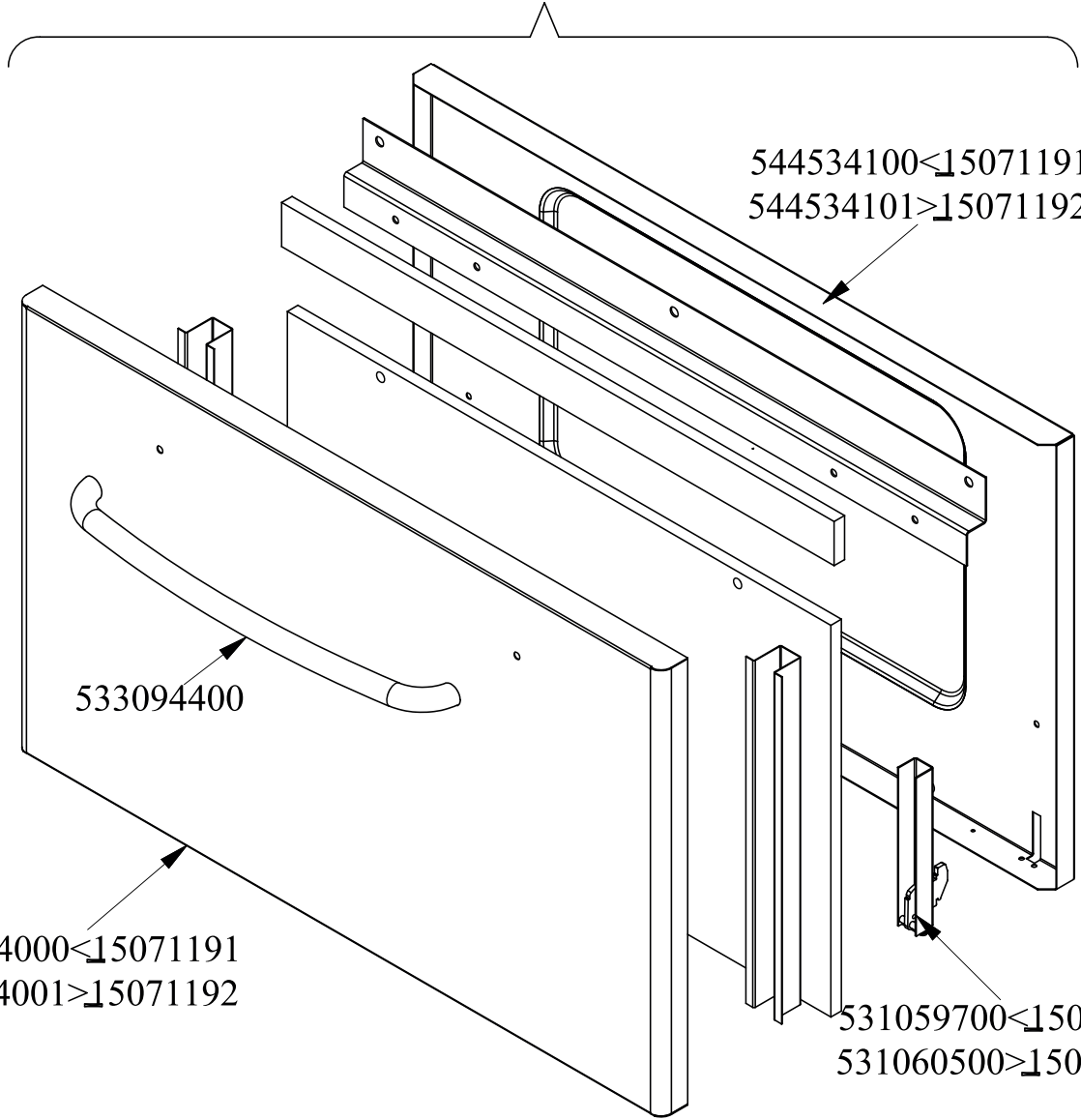
544534100<15071191  
544534101>15071192

533094400

544534000<15071191  
544534001>15071192

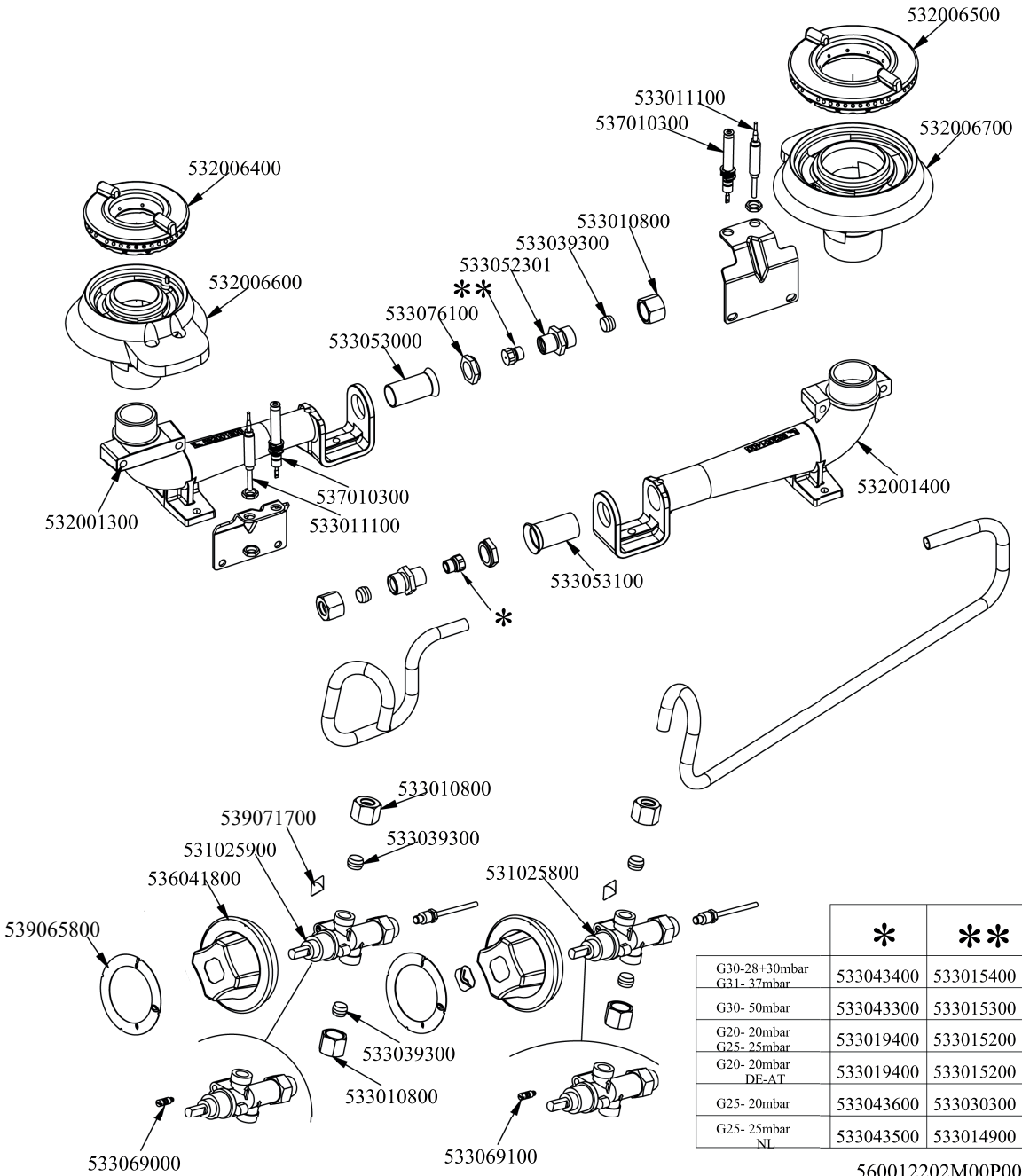
531059700<15071191  
531060500>15071192

560081101M01P00





Objednačí kód	Popis v ENG
533094400	S/S OVEN DOOR HANDLE FOR 60T-LINE
531059201	COMPLETE S/S DOOR FOR MAXI 600 OVEN
531059202	COMPLETE S/S DOOR FOR MAXI 600 OVEN
544534100	INNER DOOR OF MAXI OVEN OF 60T-LINE
544534101	
544534000	S/S DOOR FOR MAXI OVEN OF 60T LINE
544534001	
531059700	DOOR HINGE FOR MAXI OVEN 60.LINE
531060500	DOOR HINGE FOR OVEN 60.LINE

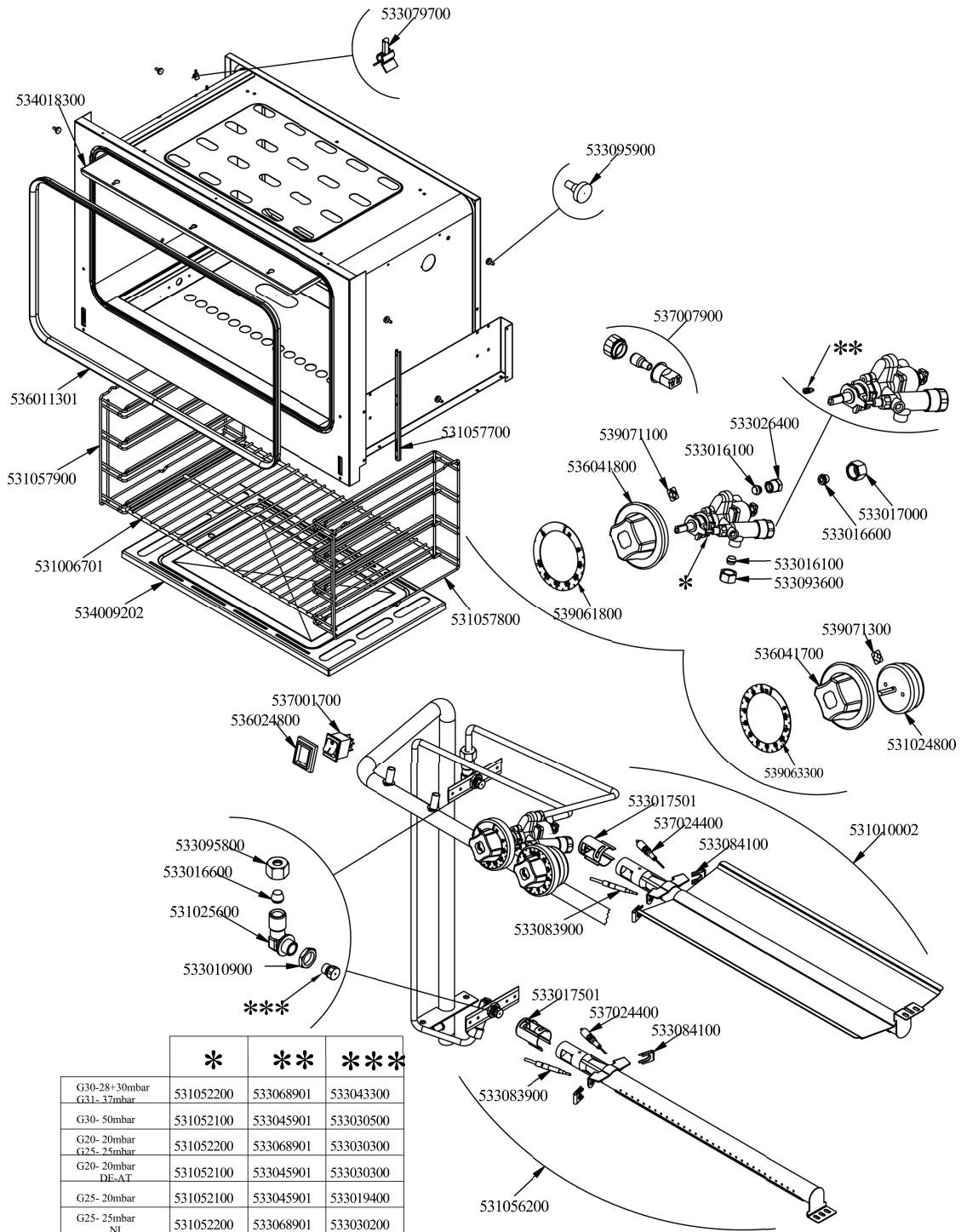


	*	**
G30- 28+30mbar G31- 37mbar	533043400	533015400
G30- 50mbar	533043300	533015300
G20- 20mbar G25- 25mbar	533019400	533015200
G20- 20mbar DE-AT	533019400	533015200
G25- 20mbar	533043600	533030300
G25- 25mbar NL	533043500	533014900

560012202M00P00



Objednačí kód	Popis v ENG
533043400	NOZZLE §117 CH12*14 G-PC4 UR
533043300	NOZZLE §103 CH12*14 F-PC4 UR
533019400	NOZZLE §180 CH12*14 L-FQ5
533043600	NOZZLE §200 CH12*14 L-PC4 UR
533043500	NOZZLE §190 CH12*14 G25 PC4R
533015400	NOZZLE §93 CH12*14 G-PC4 R
533015300	NOZZLE §82 CH12*14 F-PC4 R
533015200	NOZZLE §145 CH12*14 F-FP/CP6
533030300	NOZZLE §160 CH12*14 M-FPG
533014900	NOZZLE §150 CH12*14 F-FQ5 L-FQ6
532006600	BURNER BODY 3,5 KW WITH PLUG
532006400	QUICKBURNER 2 RING Ø082 3 Z
533053000	AIR ADJUSTMENT BUSHING §18
533076100	HEXAGONAL NUT M14X1 H4 + BUSHING
533010800	TUBE NUT D.10 M16*1,5
533053100	AIR ADJUSTMENT BUSHING §20
532006500	QUICKBURNER 2 RING Ø102 3 Z
532006700	BURNER BODY 5,5 KW WITH PLUG
537010300	IGNITION PLUG WITH SPRING PC65
533011100	THERMOCOUPLE 750 M8*1
532001300	BURNER VENTURI 3,5 KW
532001400	BURNER VENTURI 5,5 KW
533052301	JOINT FOR NOZZLE HOLDER
533039300	BICONE §10
531025800	SAFETY TAP 20S-B PEL20S2160
531025900	SAFETY TAP 20S-B PEL20S21070
539071700	ADHES.LABEL FOR RING GREEN SIGN.
539065800	BLACK STICKING DISK 72
533069100	BY PASS COCK §60 20S
533069000	BY PASS COCK §70 20S-21S
536041800	SILVER CHROM. KNOB Ø77 4P.G.Ø08X6,5

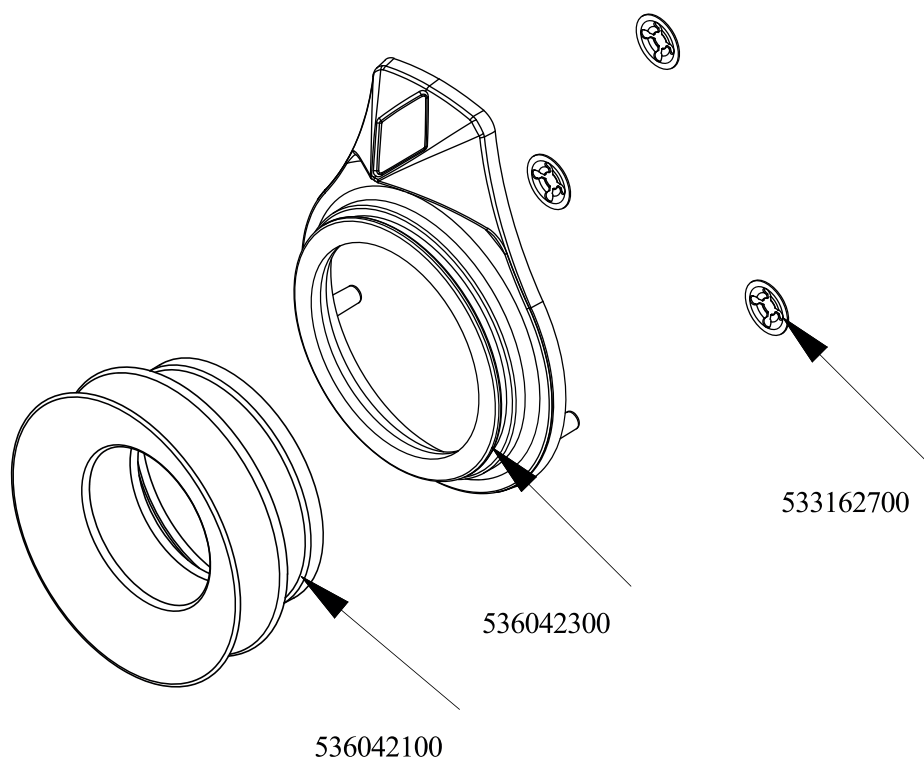


	*	**	***
G30- 28+30mbar G31- 37mbar	531052200	533068901	533043300
G30- 50mbar	531052100	533045901	533030500
G20- 20mbar G25- 25mbar	531052200	533068901	533030300
G20- 20mbar DE-AT	531052100	533045901	533030300
G25- 20mbar	531052100	533045901	533019400
G25- 25mbar NL	531052200	533068901	533030200



Objednací kód	Popis v ENG
531052200	§50 BY-PASS SAFETY COCK S55
531052100	§45 BY-PASS SAFETY COCK S55
533068901	§50 BY-PASS COCK F.OVEN CF60/65/55
533045901	§45 BY-PASS THERMOSTATIC TAP
533043300	NOZZLE §103 CH12*14 F-PC4 UR
533030500	NOZZLE §90 CH12X14 G30/CE
533030300	NOZZLE §160 CH12*14 M-FPG
533019400	NOZZLE §180 CH12*14 L-FQ5
533030200	NOZZLE §170 CH12*14 MH-FG L-FP/CW
531056200	BURNER FOR OVEN CF-8/10G
533079700	LOCK SPRING FOR BULB §3/§4
537001700	GREENLIGHTED BIPOLAR SWITCH
539071300	
539071100	
533093600	BICONE FITTING §8 M13 FEM.SABAF
533016100	BICONE D.8
533026400	ELBOW FOR BICONE D.8 M13X1
533016600	BICONE §8 H.6 SABAF DIS.688
534009202	BOTTOM FOR GAS MAXI OVEN FOR 60LINE
531057900	LHD GRIDS HOLDER FOR MAXI-OVEN
536011301	GASKET FOR MAXI 60T-OVEN L=1980
537007900	OVEN BULB-SOCKET WITH LAMP
531057700	DOOR WHEEL HOLDER F.MAXI OVEN 60T
531006701	MAXI OVEN GRID FOR S60/65
534018300	KNOB PROTECTION FOR MAXI CF 60T
533017000	THREARED FITTING FOR BICONE 8S
533095900	PIN FOR GRIDSHOLDER SUPPORT CF 60
536024800	HOOD WITH SWITCH FRAME
533017501	VENTURI BUSHING FOR OVEN BURNER CF
531024800	TIMER 120°- 360°
531010002	GRILL BURNER FOR CF-55/60
533084100	LOCK SPRING FOR PLUG-THERMOCOUPLE
537024400	IGNITION PLUG FOR OVEN-BURNER
533083900	THERMOCOUPLE 1000 M8*1 OVEN BURNER
533095800	TUBE NUT D.08 M16*1,5
531025600	ELBOW 90° NOZZLE-HOLDER §10 PIPE
533010900	NUT M14*1 H.4
531057800	RHD GRIDS HOLDER FOR MAXI-OVEN
539063300	ADESIVE DISK FOR TYMER GREY
536041700	SILVER CHROM. KNOB Ø77 4P.G.Ø06X4,6
539061800	ADESIVE DISK FOR GAS OVEN S60
536041800	SILVER CHROM. KNOB Ø77 4P.G.Ø08X6,5





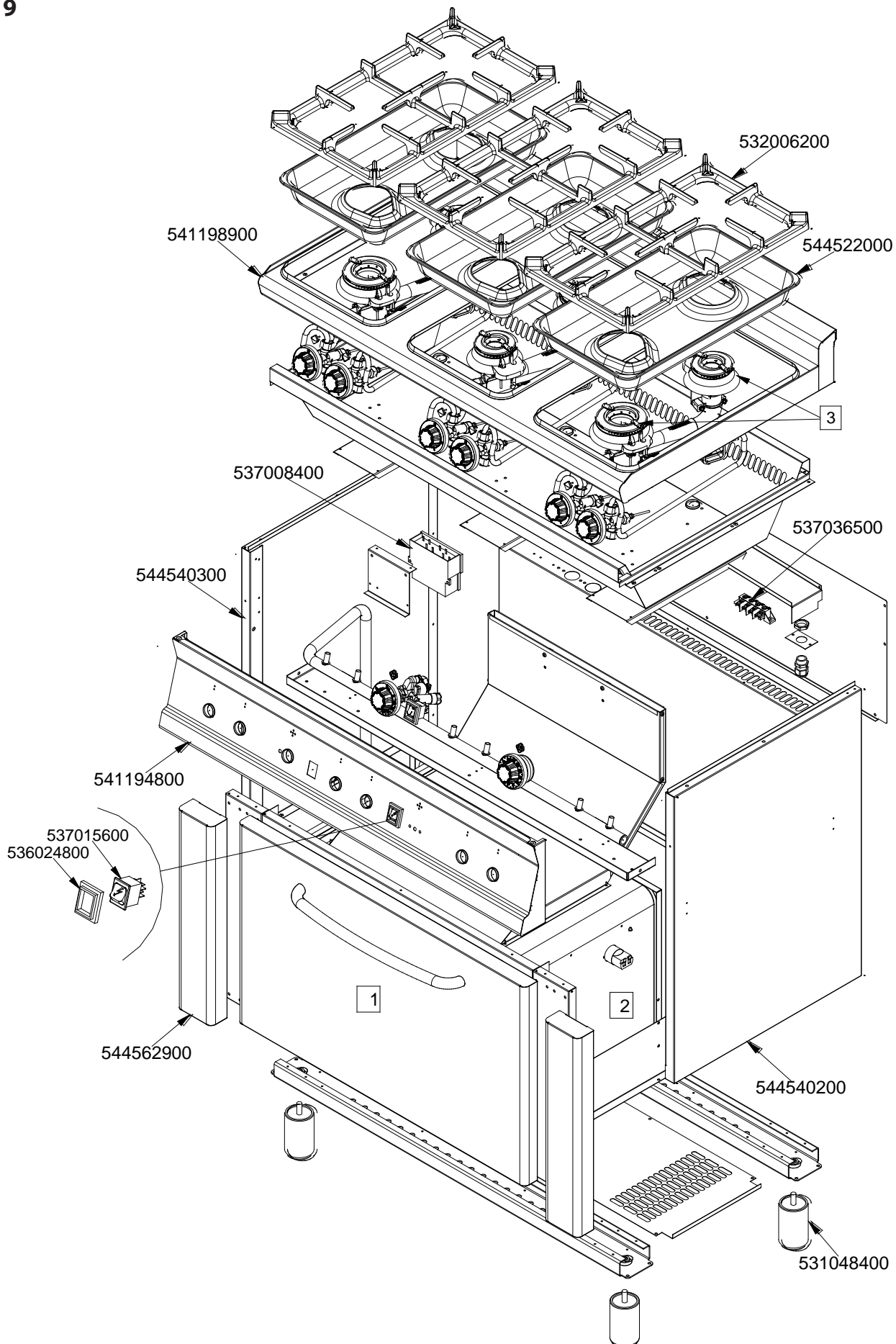
560125700M00P00



Objednačí kód	Popis v ENG
536042300	SILVER CHROM. RING FOR KNOB Ø77 4 P
536042100	SEAL CASING FOR KNOB Ø77 4 P
533162700	PROCESSING CODE

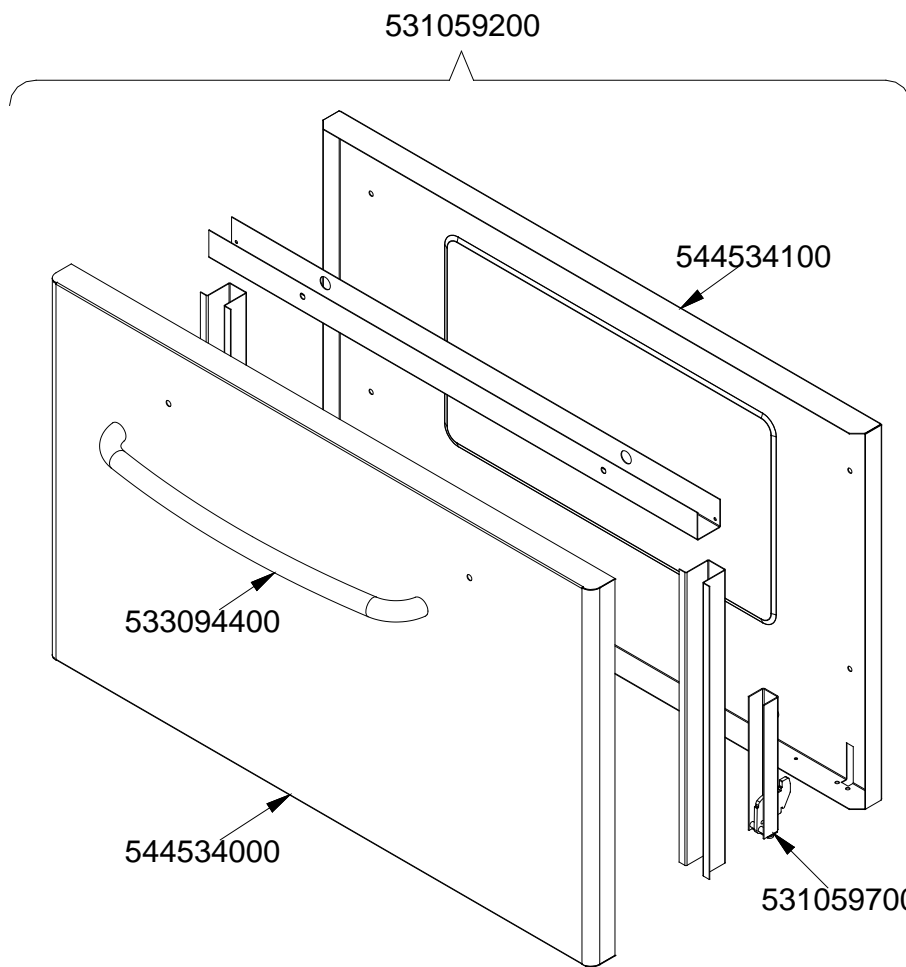


CF6 - 610 G  
 Platnost  
 1.5.2016 do  
 30.4.2019

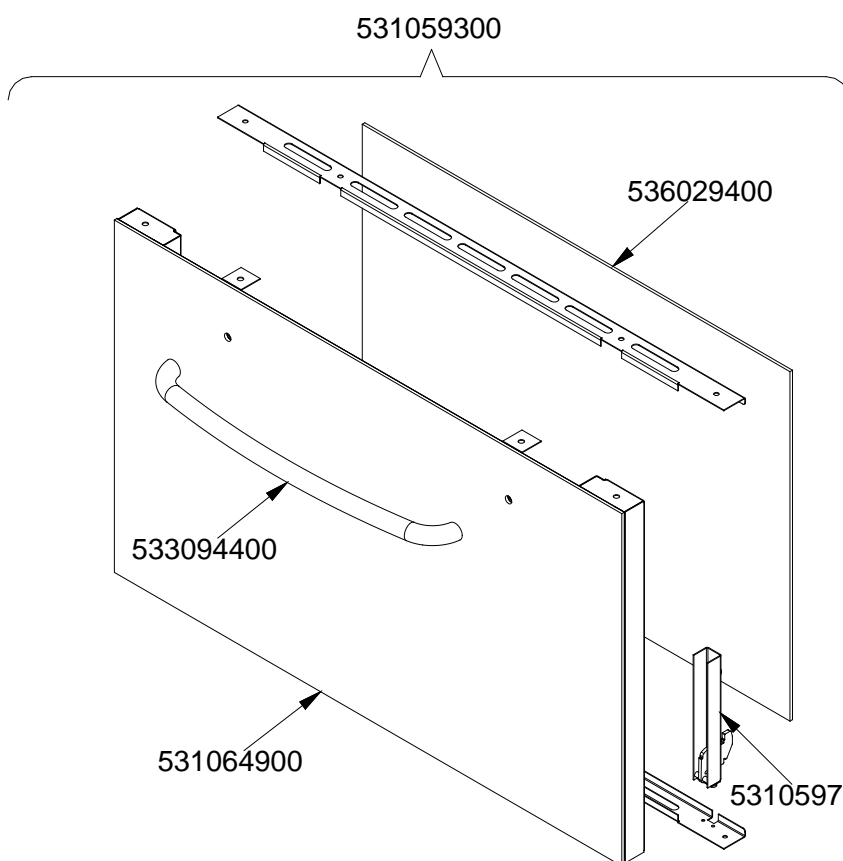




CF6 - 610 G  
(1)  
Platnost  
1.5.2016 do  
30.4.2019

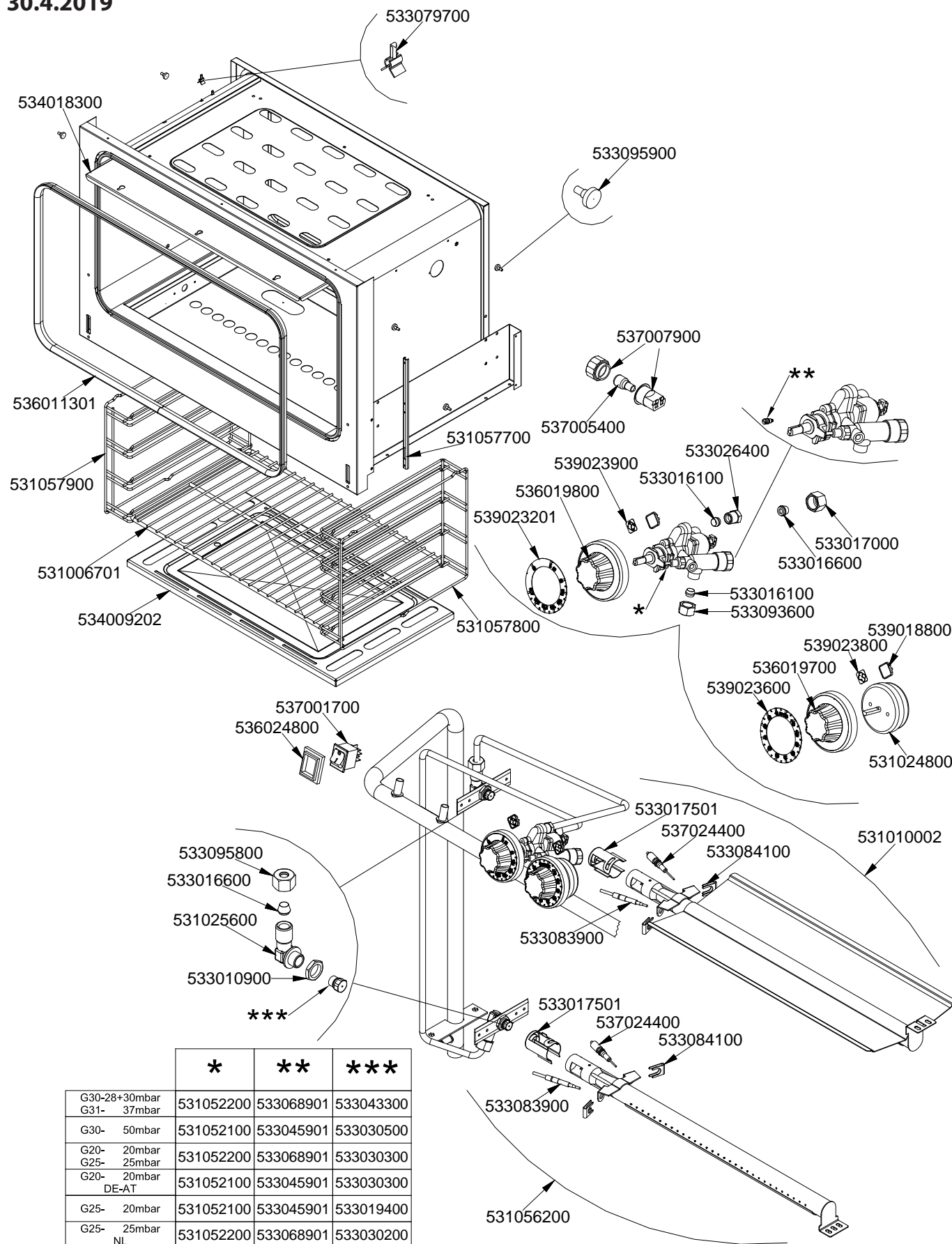


560081100M00P00





**CF6 - 610 G**  
**(2)**  
**Platnost**  
**1.5.2016 do**  
**30.4.2019**



	*	**	***
G30-28+30mbar	531052200	533068901	533043300
G31- 37mbar			
G30- 50mbar	531052100	533045901	533030500
G20- 20mbar	531052200	533068901	533030300
G25- 25mbar			
G20- 20mbar DE-AT	531052100	533045901	533030300
G25- 20mbar	531052100	533045901	533019400
G25- 25mbar NL	531052200	533068901	533030200



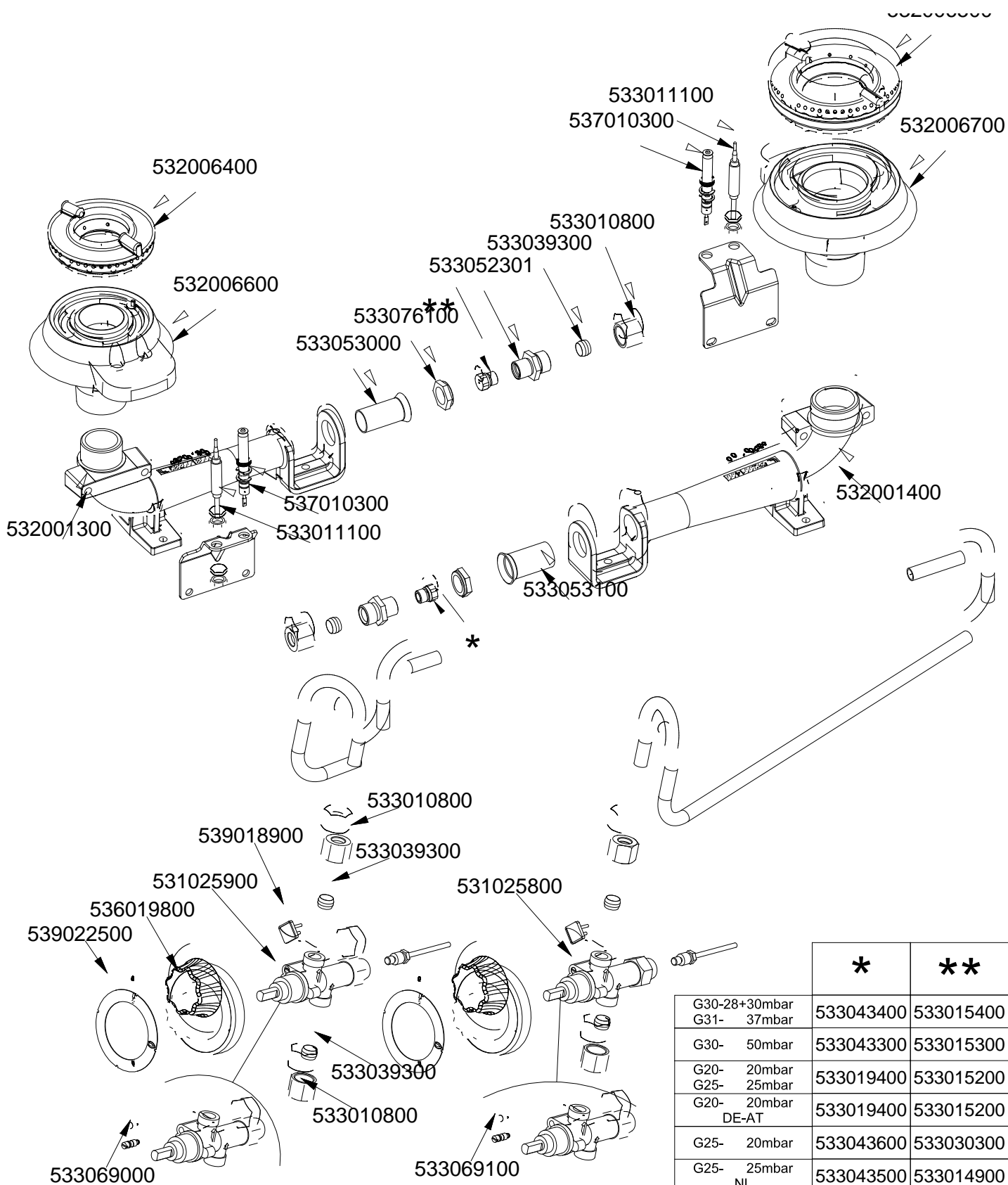
CF6 - 610 G

(3)

Platnost

1.5.2016 do

30.4.2019



	*	**
G30-28+30mbar G31- 37mbar	533043400	533015400
G30- 50mbar	533043300	533015300
G20- 20mbar G25- 25mbar	533019400	533015200
G20- 20mbar DE-AT	533019400	533015200
G25- 20mbar	533043600	533030300
G25- 25mbar NL	533043500	533014900