

# Technical data sheet



## Product features

### Cooking range electric 6x plates with oven GN 2/1

|              |                 |          |
|--------------|-----------------|----------|
| <b>Model</b> | <b>SAP Code</b> | 00014646 |
|--------------|-----------------|----------|



- Device type: Electric unit
- Power consumption of the zone 1 [kW]: 3,5
- Power consumption of the zone 2 [kW]: 3,5
- Power consumption of the zone 3 [kW]: 3,5
- Power consumption of the zone 4 [kW]: 3,5
- Power consumption of the zone 5 [kW]: 3,5
- Power consumption of the zone 6 [kW]: 3,5
- Type of internal part of the appliance 1 (eg oven): Electric
- Protection of controls: IPX4
- Material: AISI 304 top plate, AISI 430 cladding

|                            |                    |   |          |
|----------------------------|--------------------|---|----------|
| <b>SAP Code</b>            | 00014646           | <b>Power consumption of the zone 1 [kW]</b>               | 3,5      |
| <b>Net Width [mm]</b>      | 1200               | <b>Power consumption of the zone 2 [kW]</b>               | 3,5      |
| <b>Net Depth [mm]</b>      | 900                | <b>Power consumption of the zone 3 [kW]</b>               | 3,5      |
| <b>Net Height [mm]</b>     | 900                | <b>Power consumption of the zone 4 [kW]</b>               | 3,5      |
| <b>Net Weight [kg]</b>     | 161.00             | <b>Power consumption of the zone 5 [kW]</b>               | 3,5      |
| <b>Power electric [kW]</b> | 27.300             | <b>Power consumption of the zone 6 [kW]</b>               | 3,5      |
| <b>Loading</b>             | 400 V / 3N - 50 Hz | <b>Type of internal part of the appliance 1 (eg oven)</b> | Electric |
| <b>Number of zones</b>     | 6                  | <b>Diameter of device [mm]</b>                            | 300      |

# Technical data sheet



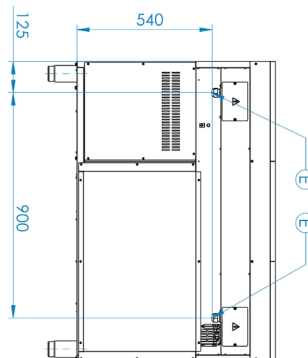
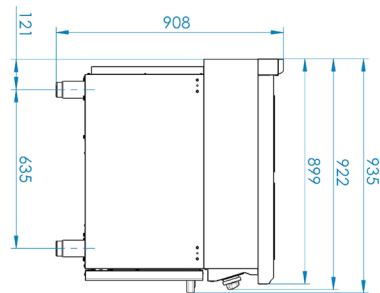
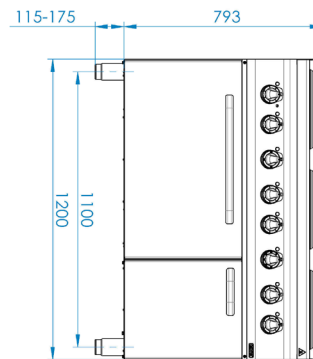
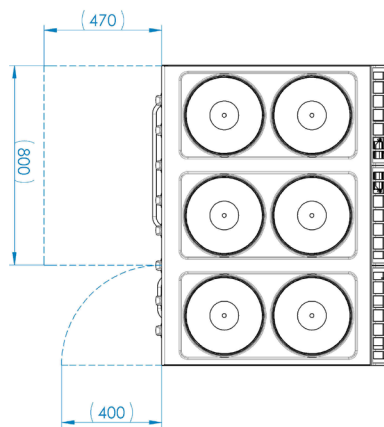
Technical drawing

Cooking range electric 6x plates with oven GN 2/1

Model

SAP Code

00014646



# Technical data sheet



## Technical parameters

### Cooking range electric 6x plates with oven GN 2/1

**Model**

**SAP Code**

00014646

**1. SAP Code:**

00014646

**2. Article group:**

RF-Line 900

**3. Net Width [mm]:**

1200

**4. Net Depth [mm]:**

900

**5. Net Height [mm]:**

900

**6. Net Weight [kg]:**

161.00

**7. Gross Width [mm]:**

1260

**8. Gross depth [mm]:**

990

**9. Gross Height [mm]:**

1180

**10. Gross Weight [kg]:**

177.00

**11. Device type:**

Electric unit

**12. Construction type of device:**

With substructure

**13. Power electric [kW]:**

27.300

**14. Loading:**

400 V / 3N - 50 Hz

**15. Protection of controls:**

IPX4

**16. Material:**

AISI 304 top plate, AISI 430 cladding

**17. Worktop type:**

Molded - comfortable cleaning maintenance

**18. Worktop material:**

AISI 304

**19. Worktop Thickness [mm]:**

1.50

**20. Number of zones:**

6

**21. Power consumption of the zone 1 [kW]:**

3,5

**22. Power consumption of the zone 2 [kW]:**

3,5

**23. Power consumption of the zone 3 [kW]:**

3,5

**24. Power consumption of the zone 4 [kW]:**

3,5

**25. Power consumption of the zone 5 [kW]:**

3,5

**26. Power consumption of the zone 6 [kW]:**

3,5

**27. Number of power control stages:**

6

**28. Service accessibility:**

Trough the frontal panel

# Technical data sheet



## Technical parameters

### Cooking range electric 6x plates with oven GN 2/1

**Model**

**SAP Code**

00014646

**29. Safety element:**

internal thermostatic protection of the hotplate against overheating

**34. Oven Type:**

electrical static

**30. Adjustable feet:**

Yes

**35. Oven size:**

GN 2/1

**31. Number of burners/hot plates:**

6

**36. Oven material:**

Stainless steel

**32. Diameter of device [mm]:**

300

**37. Type of internal part of the appliance 1 (eg oven):**

Electric

**33. Type of electric cooking zones:**

Oval

**38. Gasket:**

Yes