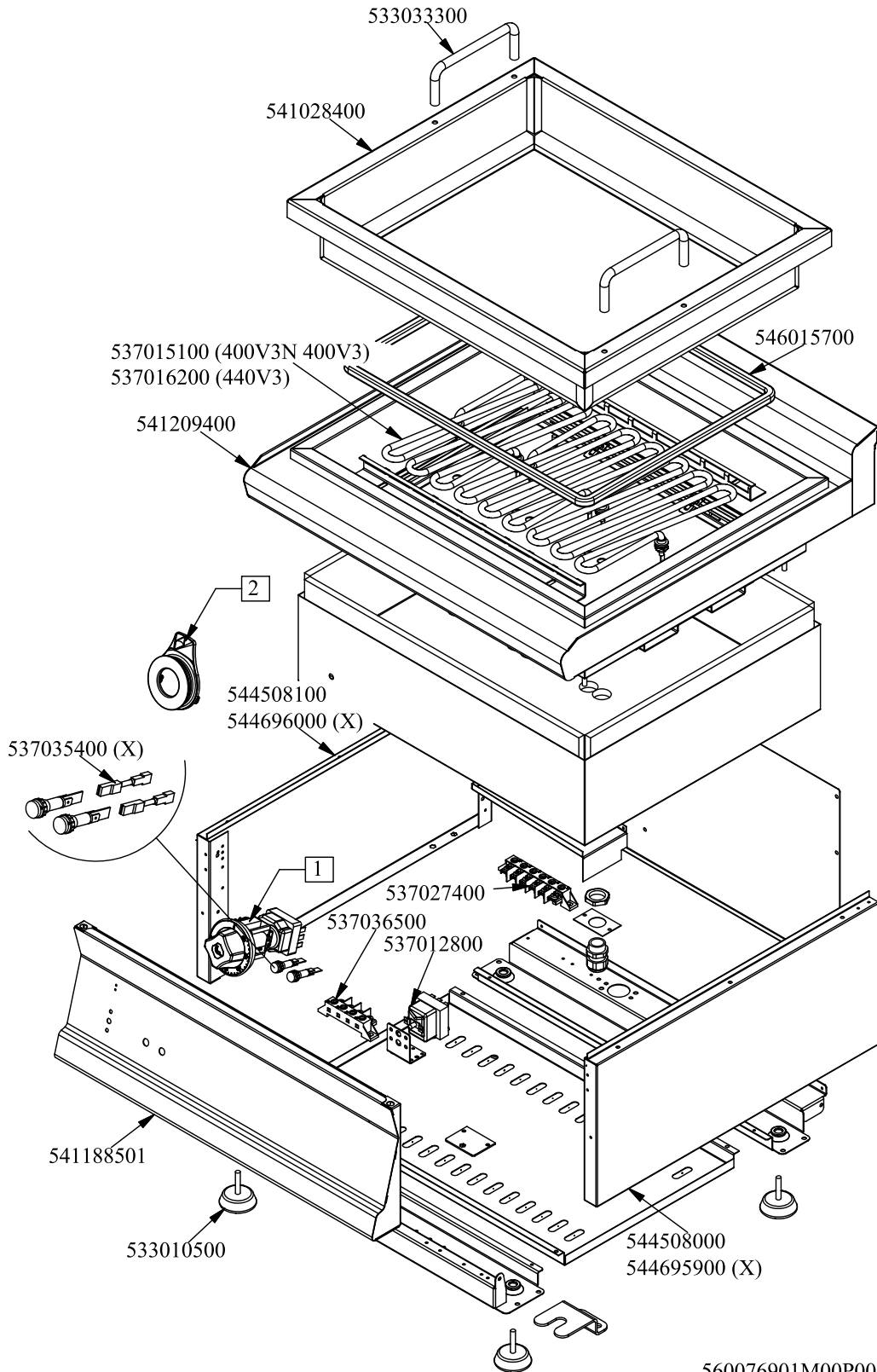


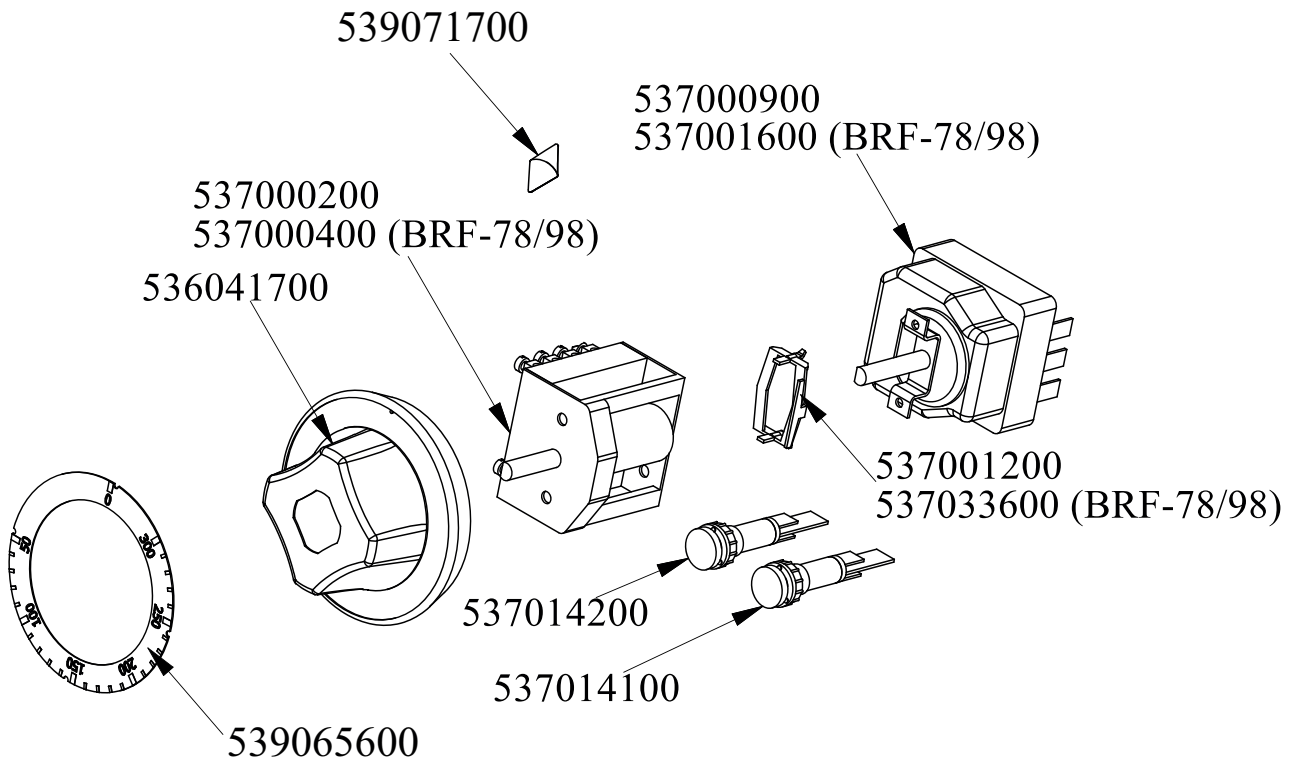
RM 600  
 Platný od 1.5. 2019  
 BRT-66ET



560076901M00P00



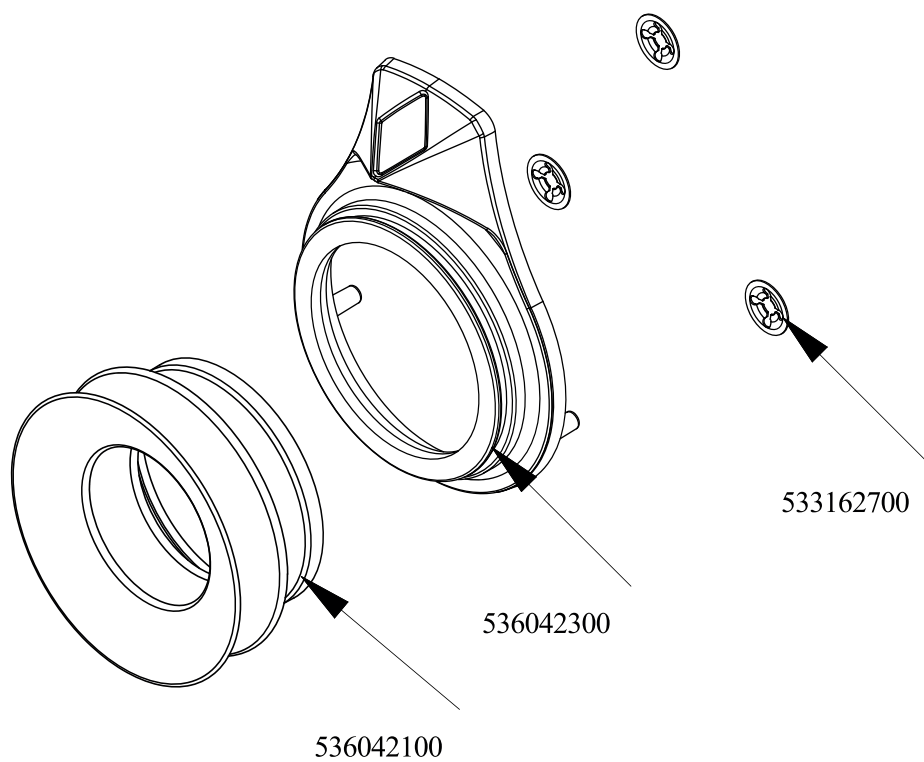
Objednací kód	Popis v ENG
541188501	
533010500	LEG M10*25 D,40
544508000	RHD SIDE OF 60T APPLIANCES
537027400	TERMINAL BLOCK THREEPHASE 40A
537036500	TERMINAL BLOCK 4POLES 40A SCREW-SCR
537012800	SAFETY THERMOSTAT 420°C THREEPHASE
541028400	TANK BR-62
533033300	TANK HANDLE BR-62
546015700	SQUARE BRAID 12*12*L1600 FC.
537015100	HEATING ELEMENT 2000W 230V BR
541209400	UPPER PLATE S60T BRT-66E
544508100	LHD SIDE OF 60T APPLIANCES
-	-
-	-



560100401M00P00



Objednací kód	Popis v ENG
537001600	THERMOSTAT 50-320°C SINGLEPHASE
536041700	SILVER CHROM. KNOB Ø77 4P.G.Ø06X4,6
537000400	COMMUTATOR 1POS.SINGLEPHASE S49 16A
537001200	FIXING BRACKET FOR THERMOSTAT/COMM.
537014200	GREEN WARNING LIGHT 250V
537014100	WHITE WARNING LIGHT 250V
537000900	THERMOSTAT 063-320°C THREEPHASE
537033600	FIXING BRACKET FOR THERMOSTAT/COMM.
537000200	COMMUTATOR 1 POS. 3PHASE S.49 16A
539065600	BLACK STICKING DISK 72 (050,300°)
539065600	ADHES.LABEL FOR RING GREENSIGN.



560125700M00P00



Objednačí kód	Popis v ENG
536042300	SILVER CHROM. RING FOR KNOB Ø77 4 P
536042100	SEAL CASING FOR KNOB Ø77 4 P
533162700	PROCESSING CODE

**BRT - 66 ET**  
**Platnost od**  
**1.5.2016**  
**do 30.4.2019**

